

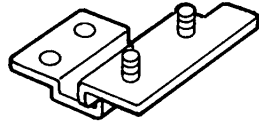


INSTALLATION INSTRUCTIONS	Accessory CD CHANGER ATTACHMENT KIT	Application MDX	Publications No. BII 23283
			Issue Date NOV 2001

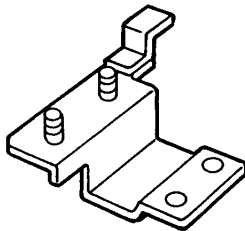
PARTS LIST

**CD Changer Attachment Kit:
P/N 08B26-S3V-200**

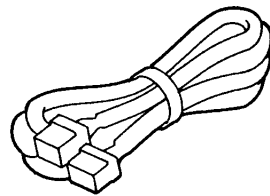
Right base bracket



Left base bracket



BUS Cable



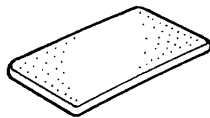
4 Flange bolts, 6 x 12 mm



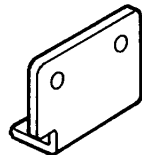
4 Flange nuts



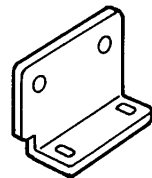
Black cushion tape



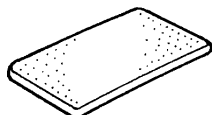
Right changer bracket



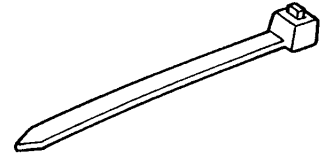
Left changer bracket



2 Gray cushion tapes



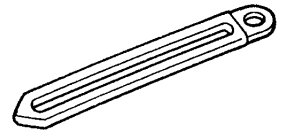
5 Wire ties
(One not used)



4 Washer-screws, 4 x 8 mm

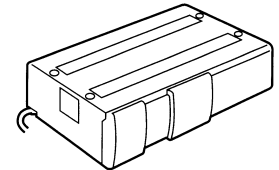


2 Wire clips



**CD Changer:
P/N 08A26-1B2-100**

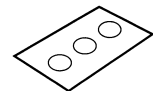
CD changer



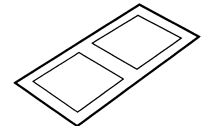
4 Washer-screws, 4 x 6 mm
(Not used)



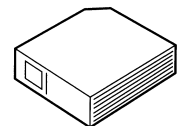
Adhesive seal sheet



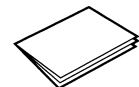
Locking covers



CD magazine



Owner's Manual



Small wire tie
(Not used)



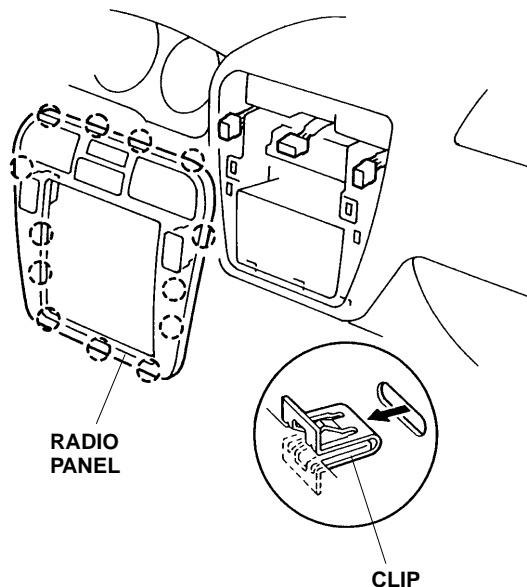
TOOLS AND SUPPLIES REQUIRED

Flat-tip screwdriver
Phillips screwdriver
Ratchet
8 mm, 10 mm, and 12 mm Sockets
Shop towel
Diagonal cutters
8 mm and 10 mm Combination wrenches

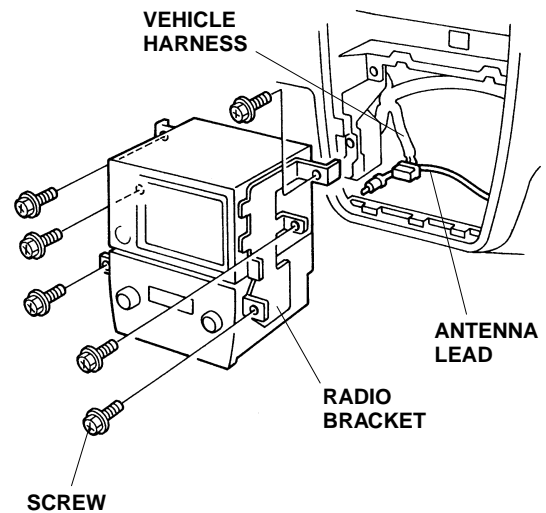
INSTALLATION

Customer Information: The information in this installation instruction is intended for use only by skilled technicians who have the proper tools, equipment, and training to correctly and safely add equipment to your vehicle. These procedures should not be attempted by "do-it-yourselfers."

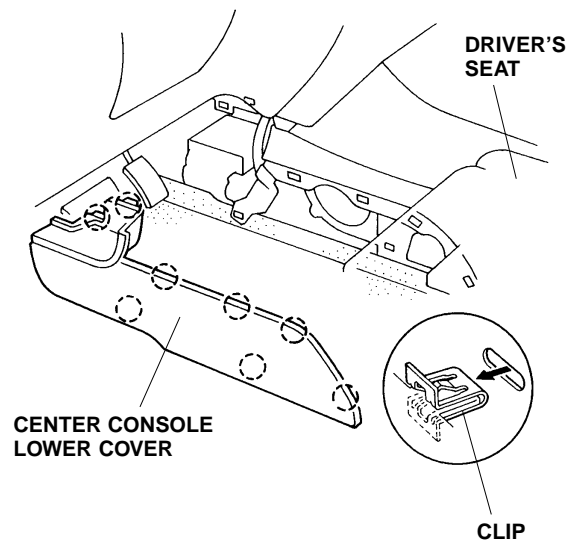
1. Make sure you have the anti-theft code for the radio, then write down the frequencies for the preset buttons.
2. Disconnect the negative cable from the battery.
3. Using a flat-tip screwdriver wrapped with a shop towel, pry up on the clips and pull the radio panel out toward you. Unplug the connectors and remove the radio panel.



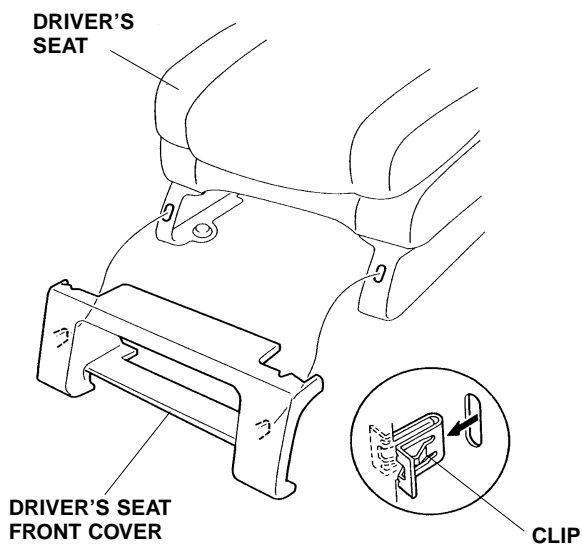
4. Remove the screws fastening the audio brackets, then pull the audio unit out toward you. Unplug the vehicle connectors and antenna lead from the rear of the audio unit.



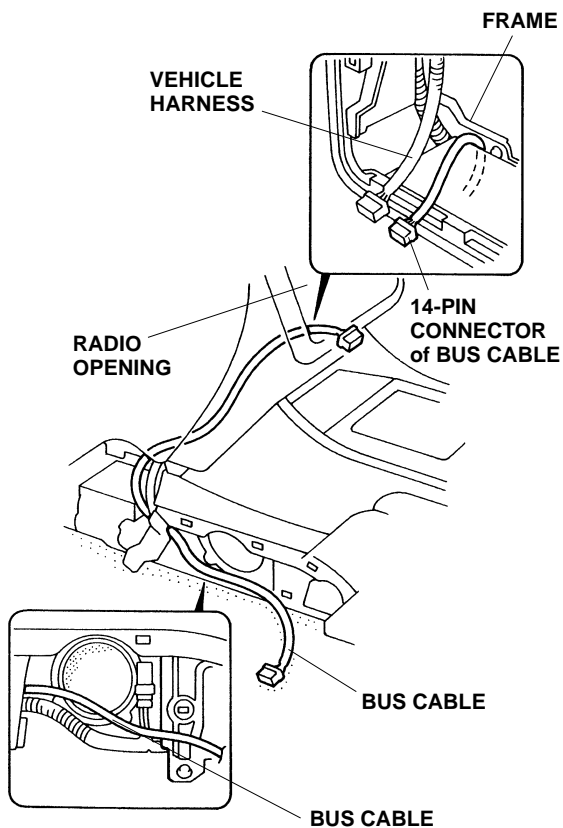
5. On the driver's side of the vehicle, gently pull the center console lower cover out toward you to release the clips and remove the center console lower cover. Take care not to damage the clips.



- Remove the driver's seat front cover by pulling it toward you. Take care not to damage the clips.

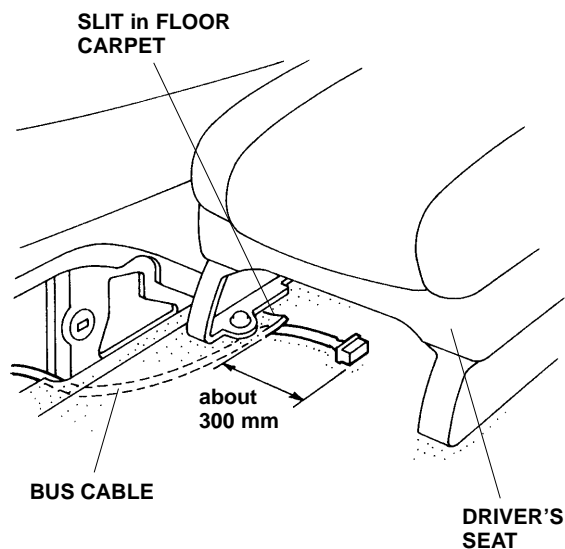


- Route one end of the BUS cable from the radio opening down through the center console.

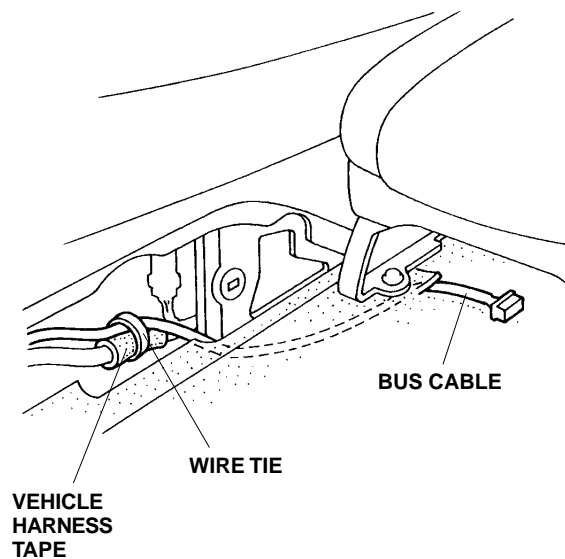


- Continue routing the BUS cable along the center console and the driver's seat.

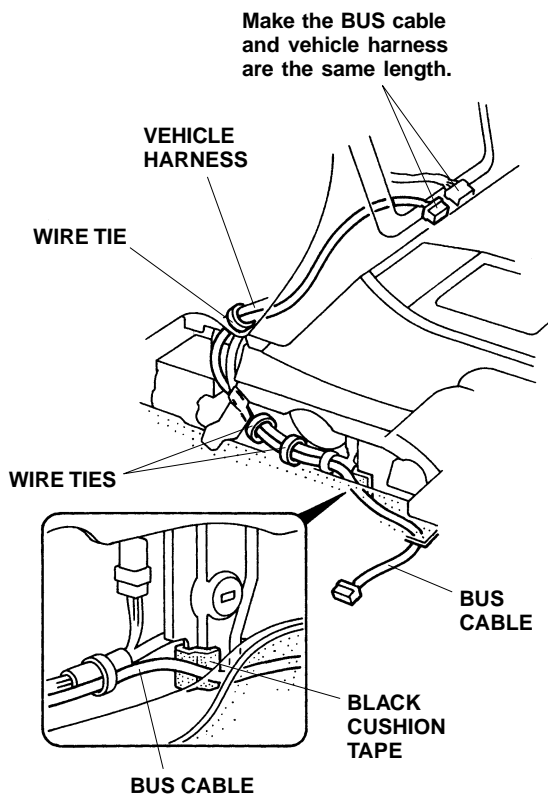
- Locate the slit in the floor carpet just under the driver's seat cushion, and pull the 14-pin connector of the BUS cable out about 300 mm through the slit.



- Secure the BUS cable to the vehicle harness with a wire tie in the area shown.

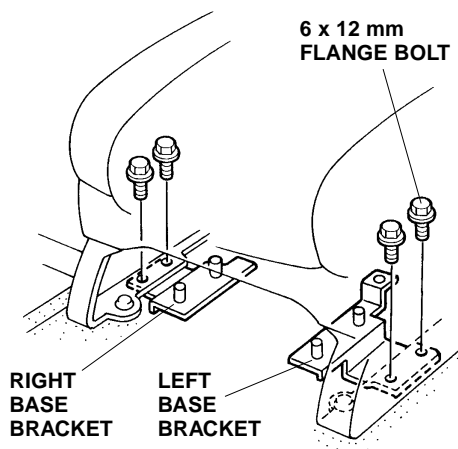


11. At the radio opening, adjust the BUS cable so it's the same length as the vehicle harness.



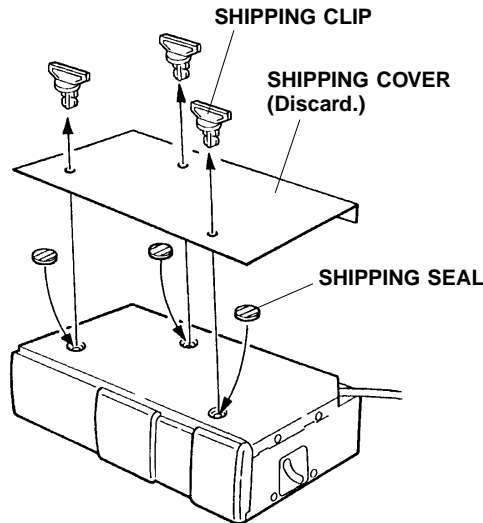
12. Secure the BUS cable to the vehicle harness with three wire ties in the areas shown.
13. Attach the black cushion tape at the edge of the center console in the area shown.

14. Install the right and left base brackets into the holes in the driver's seat risers, and install two 6 x 12 mm flange bolts into each bracket. Do not tighten the bolts yet.

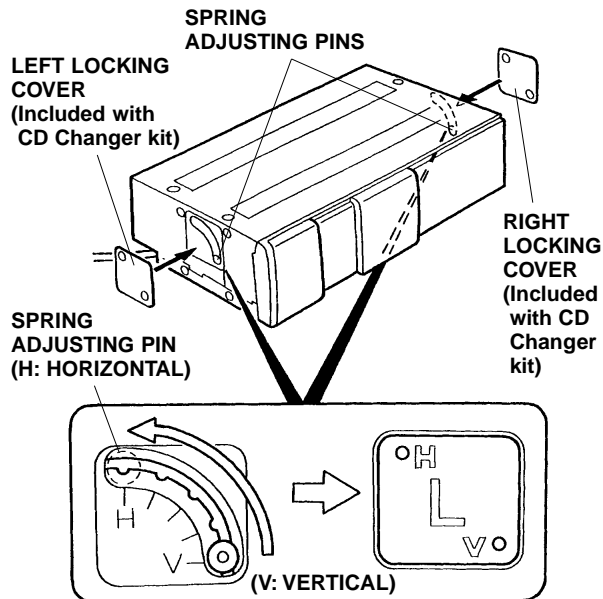


Installing the CD Changer

- Carefully unpack the CD changer. Remove the three shipping clips, and discard the shipping cover. Install an adhesive seal (included with the CD changer kit) over each of the three clip holes. Save the shipping clips for your customer in the event the unit needs to be serviced.



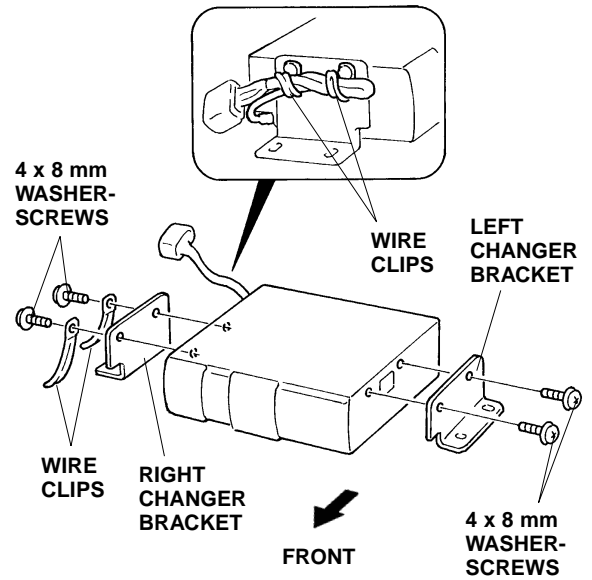
- Visually check the position of the spring adjusting pin on both sides of the CD changer. If the spring adjusting pins are not in the horizontal (H) position, move the pins to the horizontal (H) position by sliding them up with an awl.



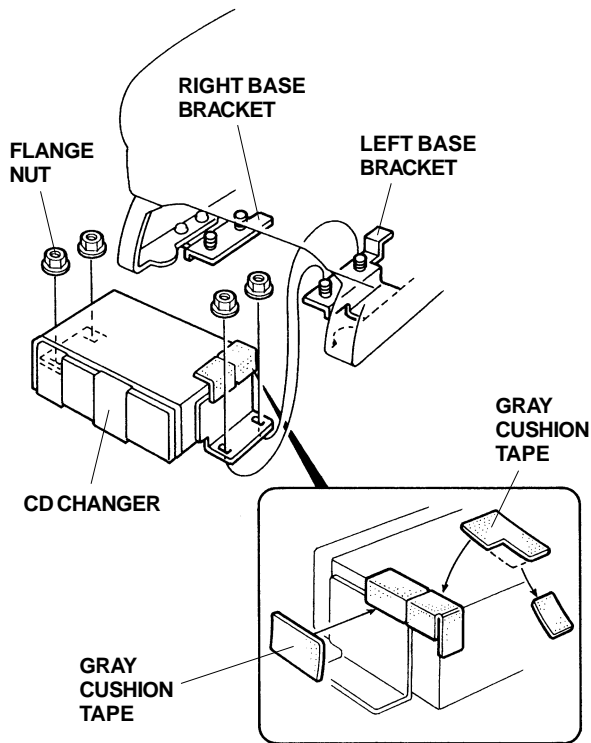
- Remove the adhesive backing from the "L" and "R" locking covers, and attach them to the sides of the CD changer. Align the diagonally opposite holes with the H and V positions.

- Install the right changer bracket on the CD changer using two 4 x 8 mm washer-screws, and the two wire clips. Install the left changer bracket on the CD changer using two 4 x 8 mm washer-screws.

NOTE: With the changer mounted in this location, the locking covers do not indicate right and left correctly. Mount the CD changer brackets in the direction shown.

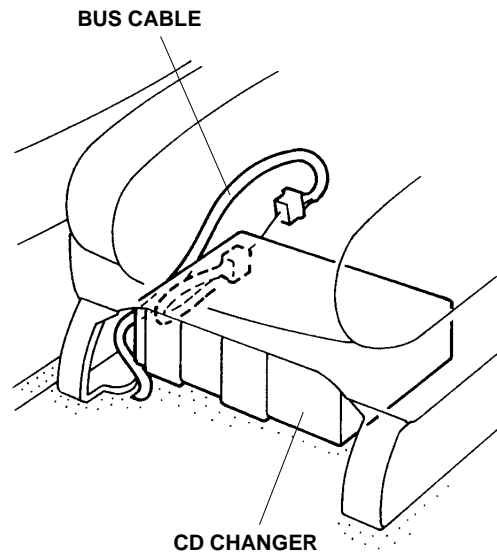


19. Attach one gray cushion tape to the rear of the CD changer leaving half of the cushion tape extended past the CD changer. Using scissors, cut the cushion tape at the end of the CD changer. Fold the ends down around the edges of the CD changer.

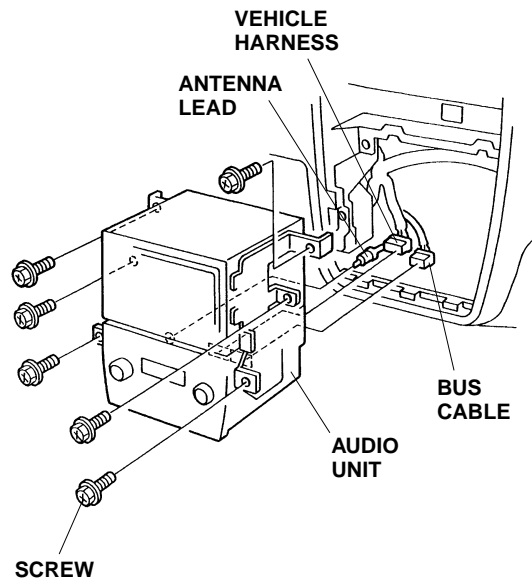


20. Attach the other gray cushion tape to the CD changer overlapping the other cushion tape. Fold the cushion tape around the CD changer bracket.
21. Position the CD changer on the base brackets, and tighten the four 6 x 12 mm flange bolts you installed in step 14.
22. Install the four flange nuts on the ends of the studs that extend from the base brackets, and tighten them securely.

23. Connect the BUS cable connector to the CD changer connector.



24. Plug the BUS cable connector, the vehicle harness connector, and the antenna lead into the rear of the audio unit.



25. Check that all wire harnesses are routed properly and all connectors are plugged in.
26. Connect the negative cable to the battery. Enter the customer's radio anti-theft code, and reset the radio station presets.
27. Check that the radio and the CD changer work according to the appropriate owner's manual.