



# INSTALLATION INSTRUCTIONS

Accessory

**TAILGATE SPOILER**

Application

**MDX**

Publications No.

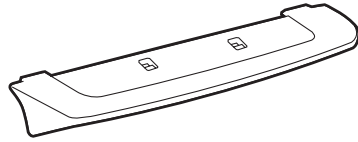
**BII 25829**

Issue Date

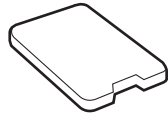
**SEP 2003**

## PARTS LIST

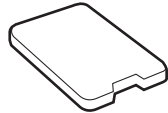
Tailgate spoiler



Right cover



Left cover



2 Flat-head screws



2 Turn nuts



6 Foam adhesive washers



4 Cap nuts



4 Square-head bolts



## TOOLS AND SUPPLIES REQUIRED

Phillips screwdriver

Eye protection (face shield, safety goggles, etc.)

Ratchet

10 mm Socket

Shop towel

Isopropyl alcohol

Center punch

Drill

3 mm, 6 mm, 8 mm and 10 mm Drill bits

File

Touch-up paint

Duct tape

Felt-tip pen

Torque wrench

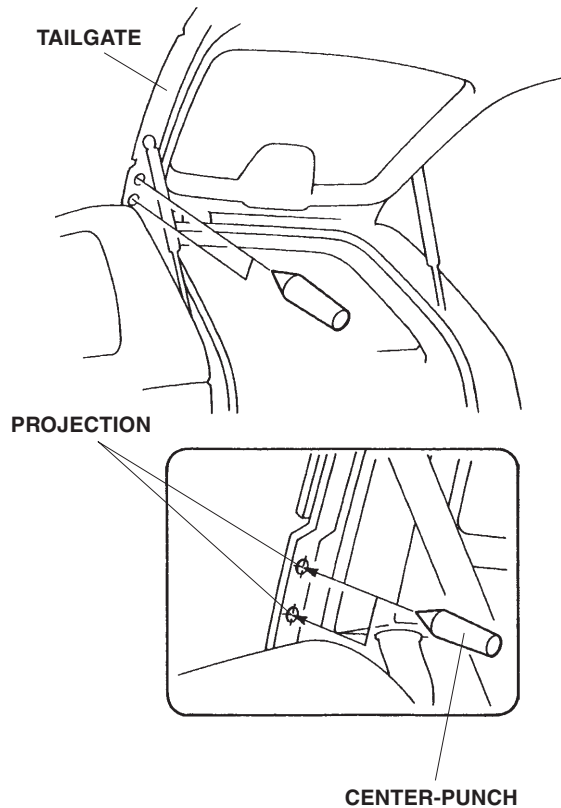
Blanket

## INSTALLATION

**Customer Information:** The information in this installation instruction is intended for use only by skilled technicians who have the proper tools, equipment, and training to correctly and safely add equipment to your vehicle. These procedures should not be attempted by "do-it-yourselfers."

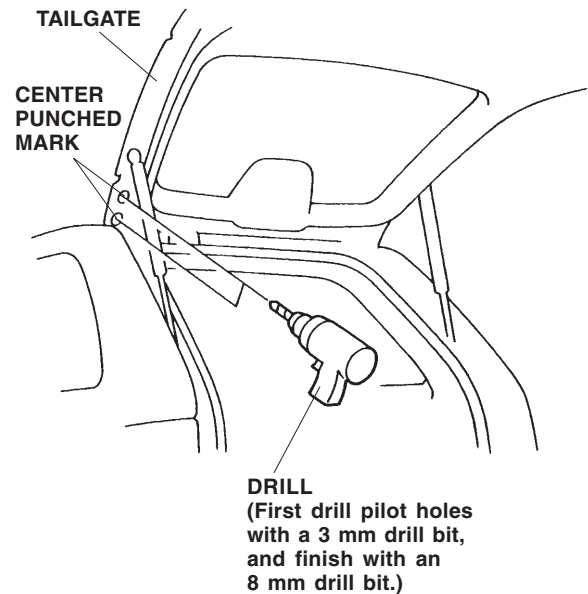
**NOTE:** Be careful not to damage the body paint.

1. Open the tailgate. On the back of the tailgate, locate the two projections on the left side of the tailgate, and lightly center-punch each projection. Locate and center-punch the two projections on the right side of the tailgate.

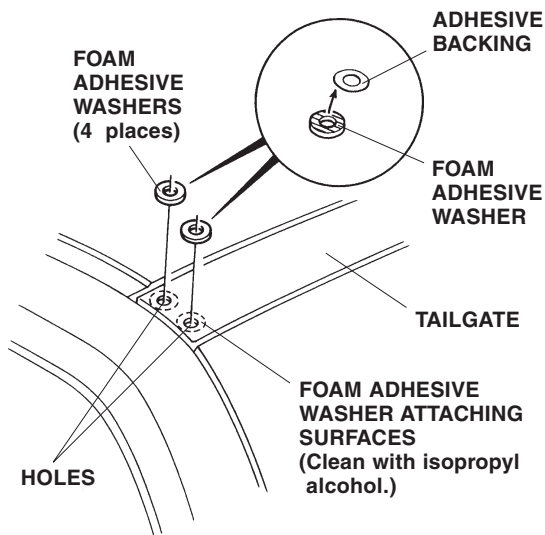


2. While wearing eye protection, drill an 8 mm hole through each center-punched location:

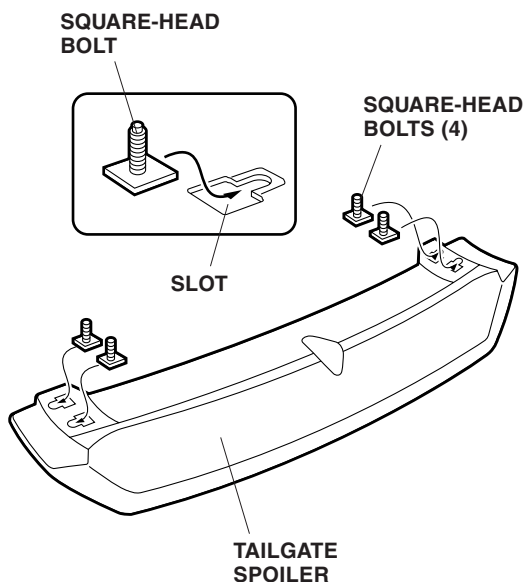
- Place a blanket in the cargo area to catch the metal shavings.
- First drill with a 3 mm drill bit, and finish with an 8 mm drill bit.
- Remove all burrs and metal shavings, and apply touch-up paint to the edges of the holes.
- When the touch-up paint is dry, clean the area to be covered, and wax it with a high-quality paste wax.



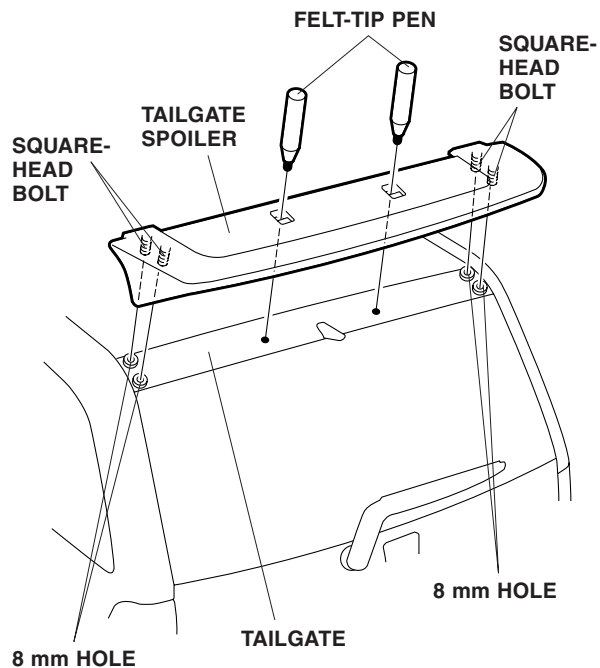
- Close the tailgate. Using isopropyl alcohol on a shop towel, clean the area around each drilled hole where the foam adhesive washers will attach.



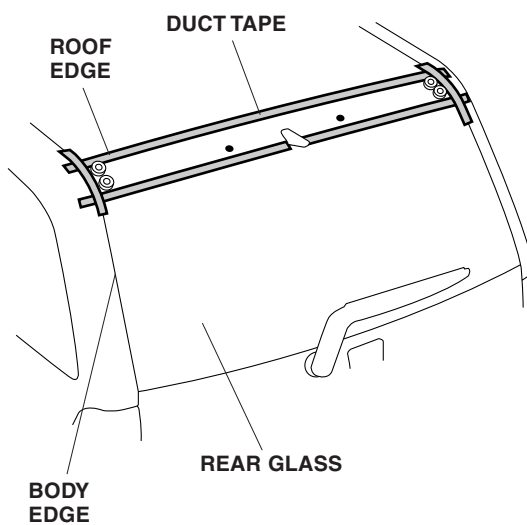
- Remove the adhesive backing from each foam adhesive washer, and attach one washer to the tailgate over each of the four holes you drilled.
- Slide one square-head bolt into each slot on the back of the tailgate spoiler through the cutouts.



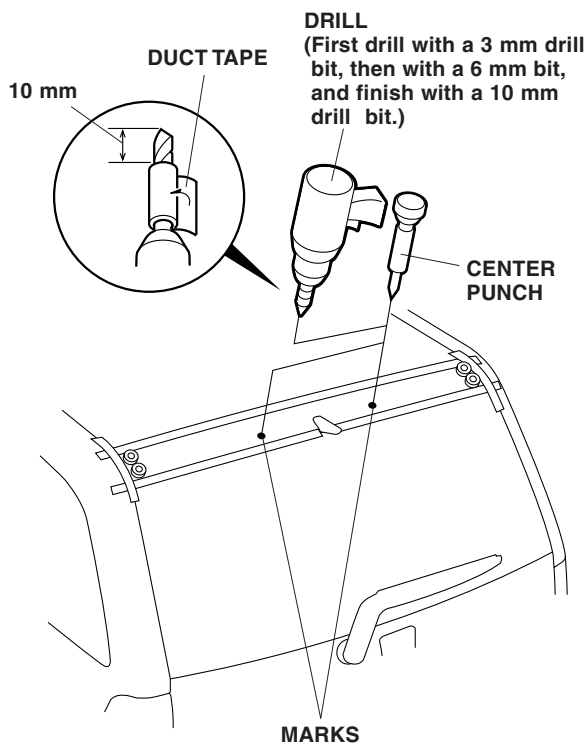
- Position the tailgate spoiler on the tailgate and insert the four square-head bolts into the 8 mm holes. Using a felt-tip pen, mark the tailgate through the two holes in the tailgate spoiler. Remove the tailgate spoiler being careful not to drop the square-head bolts on the vehicle.



- To prevent metal shavings from entering the vehicle, apply duct tape to the tailgate in the area shown.



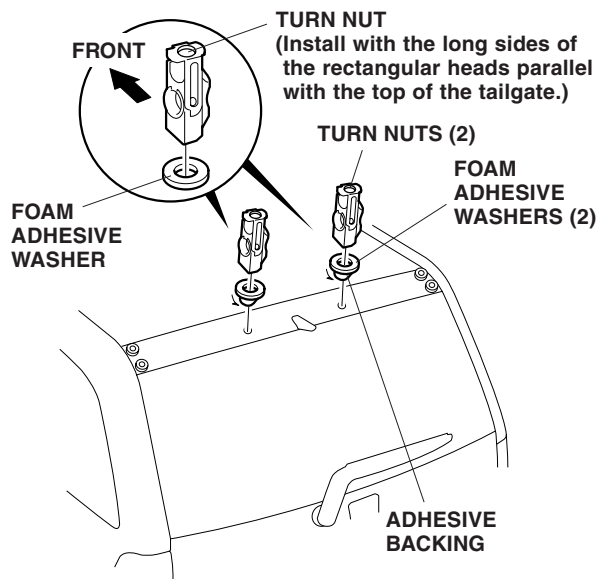
- Lightly center-punch the two marks you made in the tailgate.



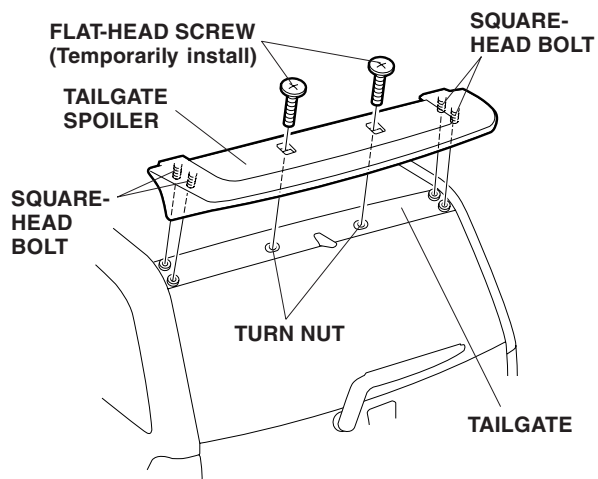
- While wearing eye protection, drill a 10 mm hole through each center-punched location:
  - Apply duct tape 10 mm from the end of a 3 mm drill bit, a 6 mm drill bit, and a 10 mm drill bit.
  - Drill a 10 mm hole at each location starting with a 3 mm drill bit, then a 6 mm drill bit, and finish with a 10 mm drill bit.
  - Remove all burrs and apply touch-up paint to the edges of the holes.
  - Remove the duct tape.
  - Open the tailgate and remove all metal shavings from the grooves in the roof.

- Using isopropyl alcohol, clean the area around each hole where the foam adhesive washers will attach.

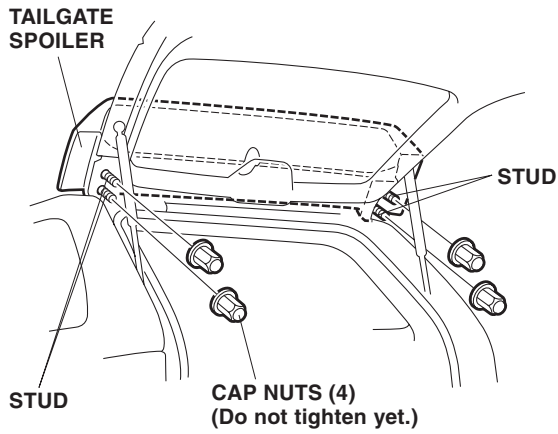
- Remove the adhesive backing from each foam adhesive washer and attach one washer to the tailgate over each of the two 10 mm holes you just drilled.



- Install the two turn nuts through the holes in the tailgate. Install the turn nuts with the long sides of the rectangular heads parallel with the top of the tailgate.
- Position the tailgate spoiler on the tailgate and insert the four square-head bolts into the 8 mm holes in the tailgate, then temporarily install the two flat-head screws through the center holes in the tailgate spoiler and into the turn nuts. Be careful not to drop the square-head bolts on the vehicle.



14. Open the tailgate and install one cap nuts to the ends of each stud. Do not tighten the cap nuts yet.



15. Close the tailgate. Torque the flat-head screws to 4.0 N·m (3.0 lb-ft).
16. Open the tailgate. Torque the cap nuts to 9.0 N·m (7.0 lb-ft).

17. Install the right and left covers on the tailgate spoiler with the cutouts facing the rear.

