



# ACURA INSTALLATION INSTRUCTIONS

Accessory

**CROSS BAR**  
P/N 08L04-STX-200

Application

MDX

Publications No.

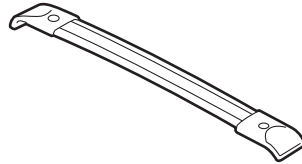
**BII 32727**

Issue Date

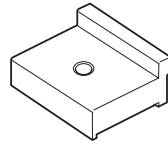
**OCT 2006**

## PARTS LIST

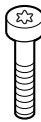
2 Cross bars



4 Joint holders



4 Special bolts



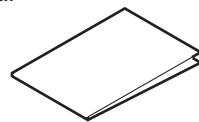
4 Washers



4 Lock washers



Accessory user's information manual



## TOOLS REQUIRED

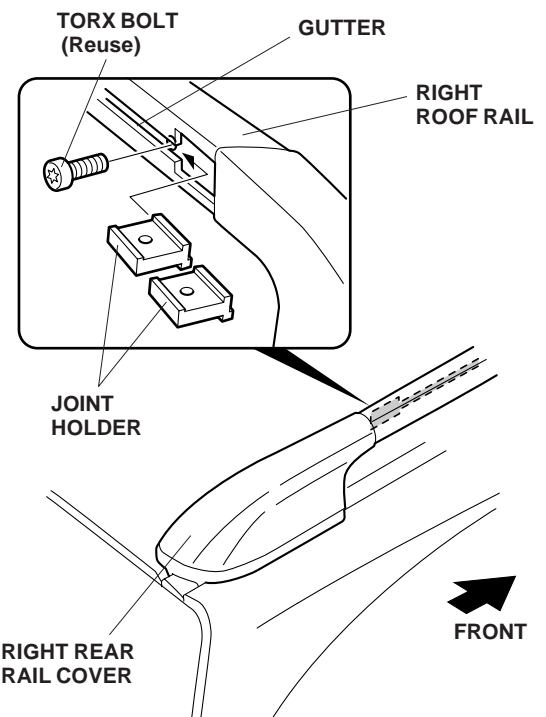
T-15 TORX screwdriver

T-30 TORX screwdriver

## INSTALLATION

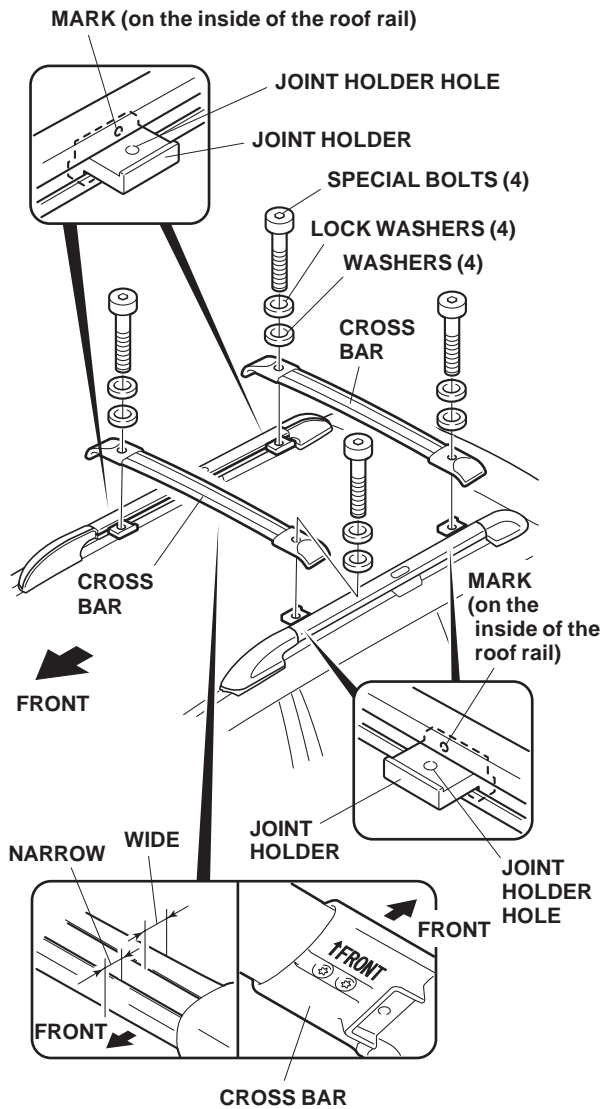
### NOTE:

- Wipe the roof rails clean before installing the cross bars.
  - Be careful not to damage the body paint.
1. Remove the TORX bolt from the rear side of the right roof rail.



2. Slide two joint holders into the gutter of the right side rail, and reinstall the TORX bolt securely.
3. Repeat steps 1 and 2 for the other roof rail.

- Slide each holder forward, and align the hole in the joint holder with the mark on the inside of the roof rail.



- Position the cross bars on the joint holders, and install the special bolts with washers. Tighten the bolts securely.

## USE AND CARE

- Check the roof rack cross bar mounting bolts frequently, and retighten them if necessary.
- Distribute the weight of the cargo evenly, and do not exceed the maximum weight capacity of 165 lb (75 kg).