

ACURA
INSTALLATION
INSTRUCTIONS

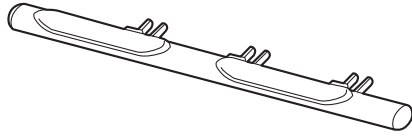
Accessory
SIDE STEP
P/N 08L33-STX-200B

Application
MDX

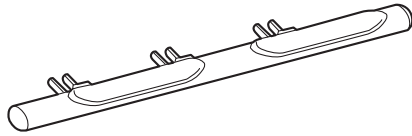
Publications No.
BII 32733
 Issue Date
NOV 2006

PARTS LIST

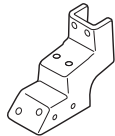
Right side step



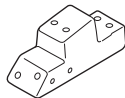
Left side step



2 Brackets A



4 Brackets B



24 Long flange bolts



24 Short flange bolts



24 Flange nuts



TOOLS AND SUPPLIES REQUIRED

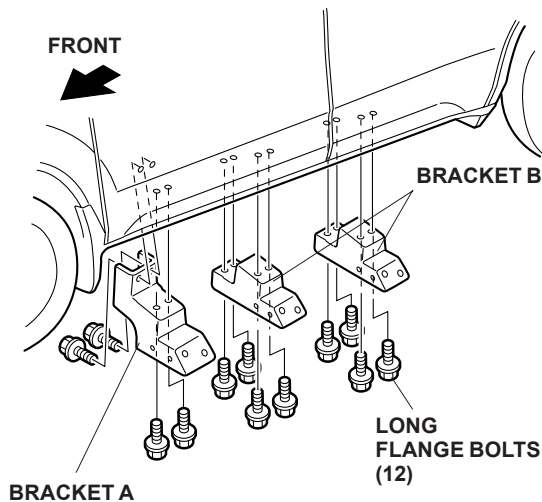
- Ratchet
- 10 mm and 13 mm Sockets
- 10 mm and 13 mm Combination wrenches
- Blanket
- Torque wrench

INSTALLATION

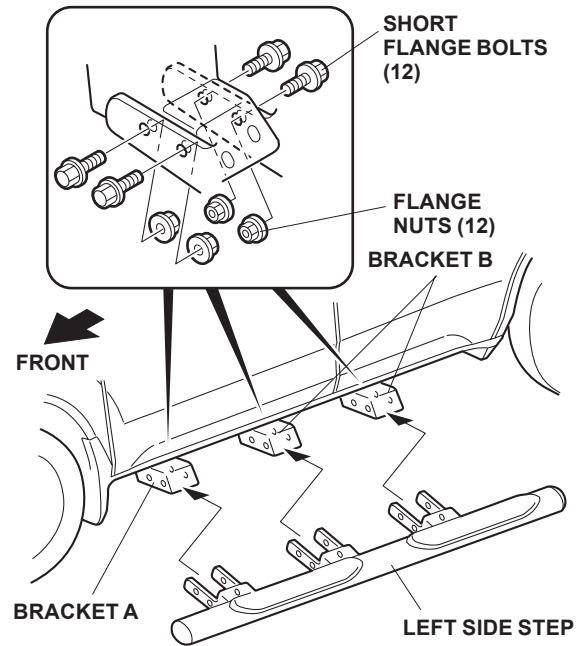
Customer Information: The information in this instruction is intended for use only by skilled technicians who have the proper tools, equipment, and training to correctly and safely add equipment to your vehicle. These procedures should not be attempted by "do-it-yourselfers."

NOTE:

- Thoroughly clean the bottom of the body between the front and rear wheels.
 - Be careful not to damage the body paint finish. To prevent damage, place a blanket under the side step during the installation.
 - These instructions show the left side step being installed; the same procedure applies to installing the right side step.
1. On the left side of the vehicle, install the one Bracket A and two Bracket B along the body using 12 long flange bolts. Thread the long flange bolts in about three or four turns.
 - If the undercoat puts on the body surface, remove the undercoat from the body surface using a scraper or equivalent tool before installing the bracket A. If necessary, clean the threads using a tap. Take care not to damage the painted surface of the body.



2. Align the brackets on the left side step to Bracket A and Brackets B on the body with the 12 short flange bolts and the 12 flange nuts, then tighten them. Torque the short flange bolts to 27 N·m (20 lb-ft).



3. Torque the 12 long flange bolts you installed in step 1 to 27 N·m (20 lb-ft) as shown.
4. Repeat steps 1 through 3 to install the side step on the right side of the vehicle.