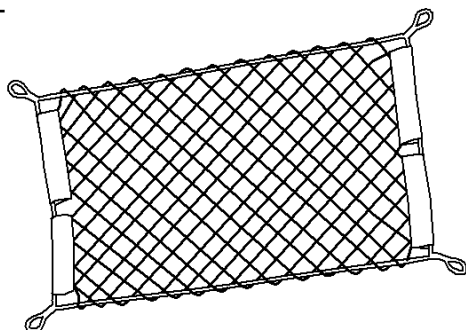
 HONDA INSTALLATION INSTRUCTIONS	Accessory CARGO NET P/N 08L96-S2A-100	Application 2000 S2000	Publications No. All 20588
			Issue Date AUG 1999

PARTS LIST

Cargo net



6 Hooks



6 Screws



6 Washers



6 Well nuts

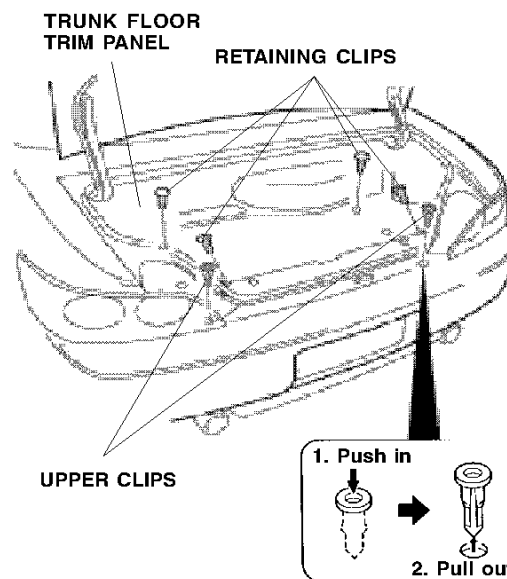


TOOLS AND SUPPLIES REQUIRED

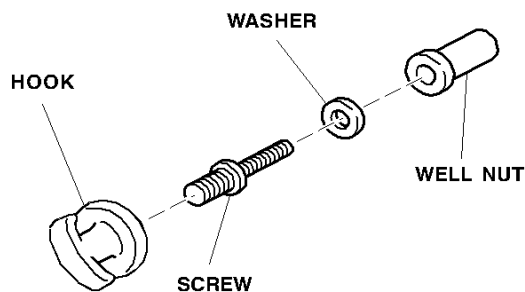
- Drill
- 8 mm Drill bit
- Eye protection (face shield, safety goggles, etc.)
- Clip remover

INSTALLATION

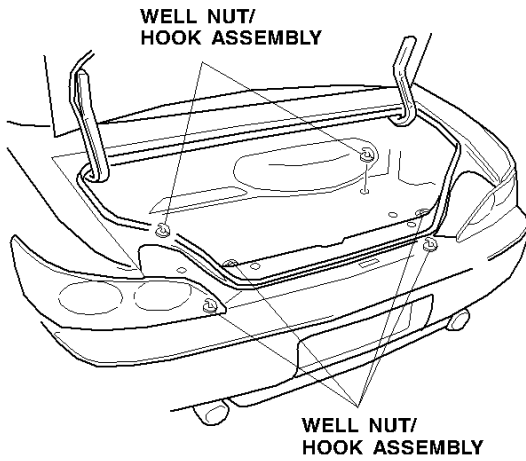
1. Inside the trunk, locate and remove only the four retaining clips shown that secure the trunk floor trim panel. Discard the four retaining clips.



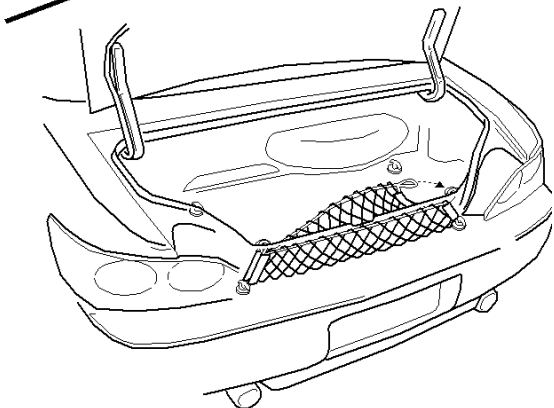
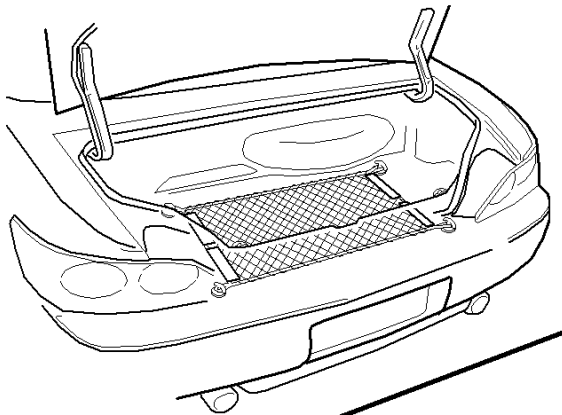
2. Remove and discard only the upper two clips that secure the rear trim panel.
3. While wearing eye protection, use the drill and bit to enlarge to 8 mm each of the six holes where you removed the clips.
4. Thread a screw into each hook, and loosely assemble a washer and a well nut on the other end of each screw in the order shown.



5. Install a well nut/hook assembly into each of the six holes you enlarged, and turn the hook to tighten it in place.



6. Attach the cargo net to the hooks according to the illustration that best serves your needs.



7. Put a copy of these instructions in the glove box for your customer.