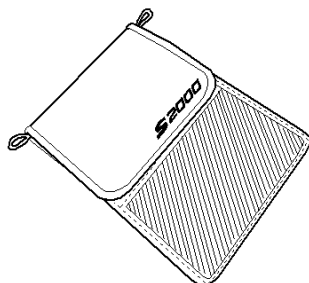
 HONDA INSTALLATION INSTRUCTIONS	Accessory	Application	Publications No.
	SEAT-BACK POCKET P/N 08U13-S2A-100F	2000 S2000	All 20594 Issue Date AUG 1999

PARTS LIST

Seat-back pocket



Snap screw



Washer



Well nut



TOOLS AND SUPPLIES REQUIRED

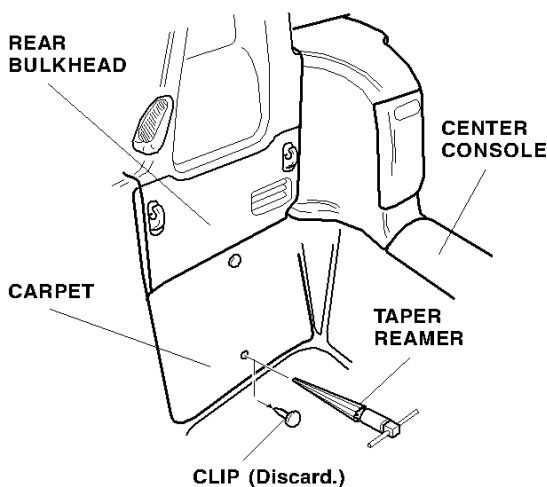
Phillips screwdriver

Clip remover

Taper reamer 1/8" - 1/2"

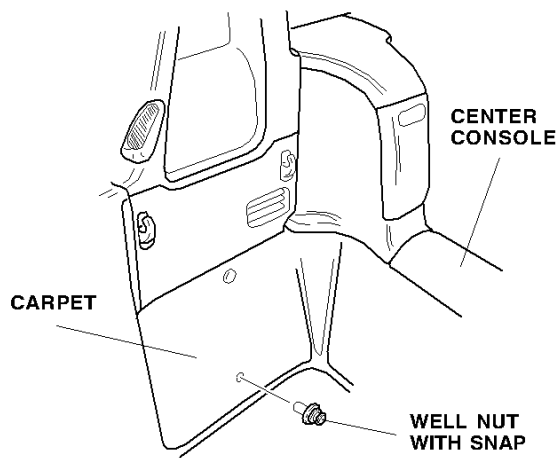
INSTALLATION

- Slide the passenger's seat all the way forward, and tilt the seat-back forward.
- On the rear bulkhead behind the passenger's seat, locate and remove the lower retaining clip securing the carpet. Discard the retaining clip.



- Using a taper reamer, slowly enlarge the clip hole a little at a time until the well nut with snap fits into the hole.

- Install the well nut, washer, and snap screw into the enlarged hole, and tighten the screw.



- Attach the two upper straps of the seat-back pocket to the hooks on the rear bulkhead, and snap the bottom snap of the seat-back pocket to the well nut with snap you installed.

