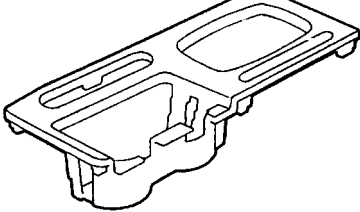
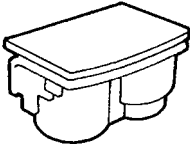
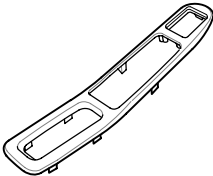
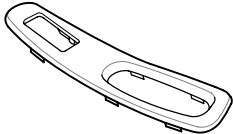
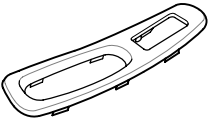
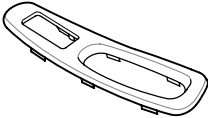








INSTALLATION INSTRUCTIONS

Accessory	Application	Publications No.
INTERIOR WOOD TRIM KIT P/N 08Z03-S84-100F	ACCORD 4-DOOR (LX/DX)	All 22958
		Issue Date AUG 2001

PARTS LIST

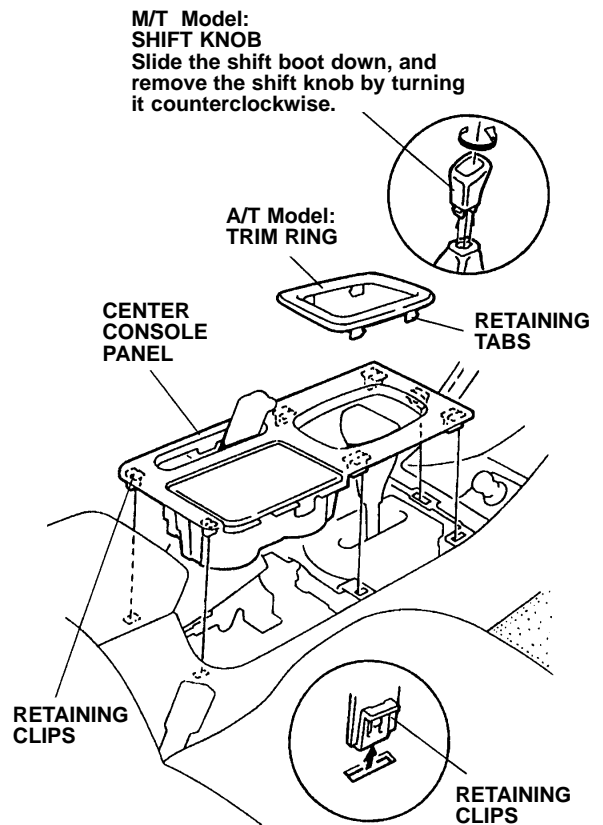
- Console cover panel 
- Beverage holder 
- Driver's pull pocket trim panel 
- Passenger's pull pocket trim panel 
- Left pull pocket trim panel 
- Right pull pocket trim panel 
- Driver's master switch bezel 
- 3 Switch bezels 
- 6 Screws, 3 mm 
- 6 Felt dots 

TOOLS AND SUPPLIES REQUIRED

- Phillips screwdriver
- Small flat-tip screwdriver
- Shop towel

INSTALLATION

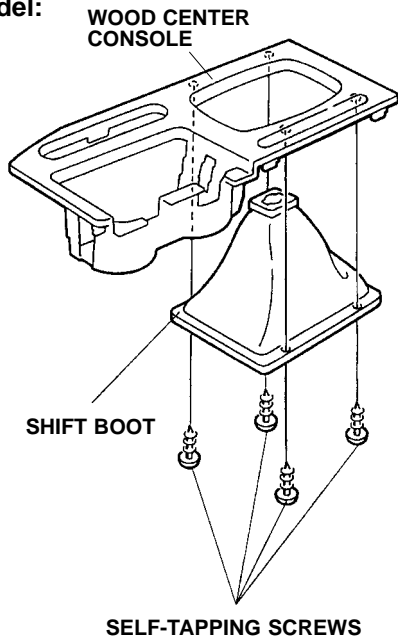
1. Write down the frequencies for the radio station presets.
2. Disconnect the negative cable from the battery.
3. On A/T model, pry up on the four retaining tabs, and remove the trim ring. On M/T model, remove the shift knob by turning it counterclockwise.



4. Remove the center console panel (seven retaining clips). Set the center console aside; it will not be reused.

- On M/T model, transfer the shift boot to the new wood center console panel.

M/T Model:

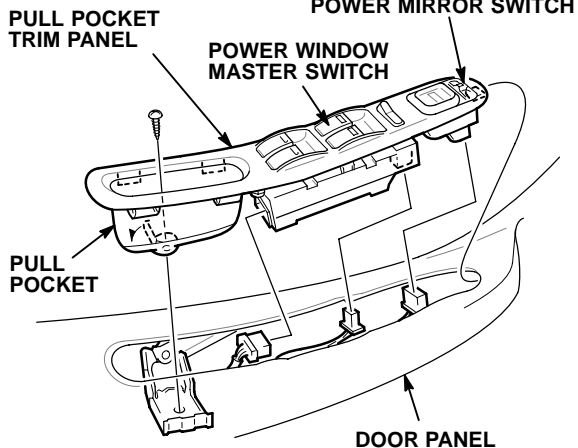


- Install the wood center console panel, then install the new wood beverage holder.
- On A/T model, reinstall the trim ring. On M/T model, reinstall the shift knob.

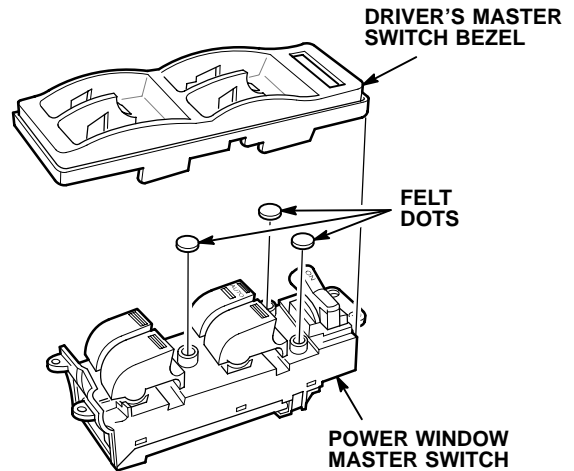
Installing the Wood Switch Panels

- At the left front (driver's) door, remove the pull pocket trim panel:
 - Inside the pull pocket, lift up on the screw cover and remove the one self-tapping screw.
 - Lift up on the pull pocket trim panel to release the clips, unplug the connectors, and remove the panel.

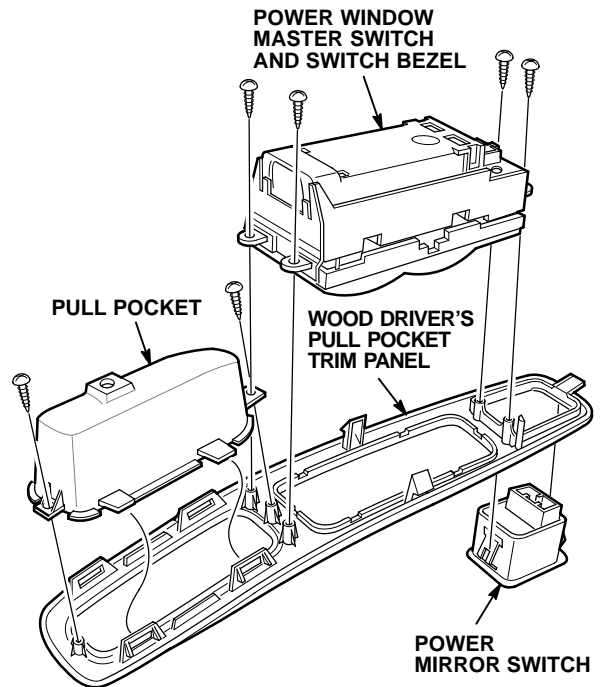
Driver's Door:



- Remove the power window master switch, the power mirror switch, and the pull pocket from the original driver's door pull pocket trim panel. Save the screws; they will be reused.
- Put three felt dots on the power window master switch as shown, then install the driver's master switch bezel onto the master switch.



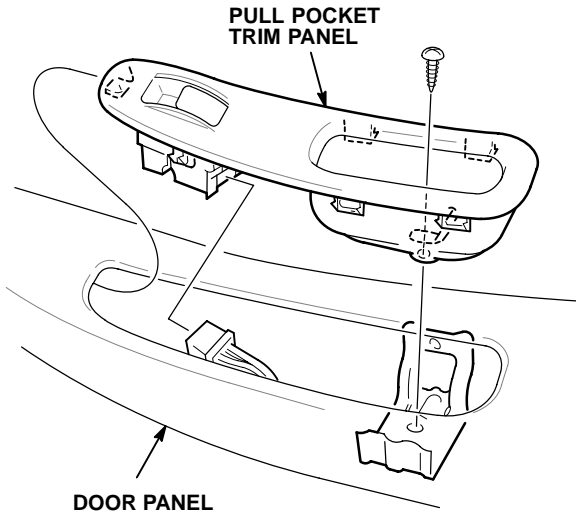
- Install the power window master switch and switch bezel, the power mirror switch, and the pull pocket onto the wood driver's pull pocket trim panel using the screws saved in step 9.



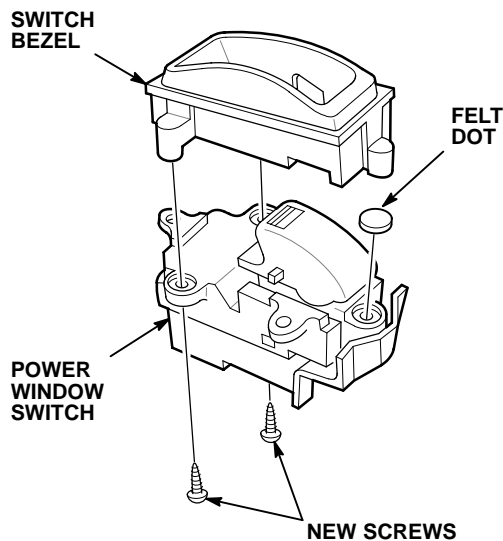
- Install the wood driver's pull pocket trim panel onto the driver's door, and plug in the connector.

13. At the right front (passenger's) door, remove the pull pocket trim panel.
 - Inside the pull pocket, lift up on the screw cover and remove the one self-tapping screw.
 - Lift up on the pull pocket trim panel to release the clips, unplug the connector, and remove the panel.

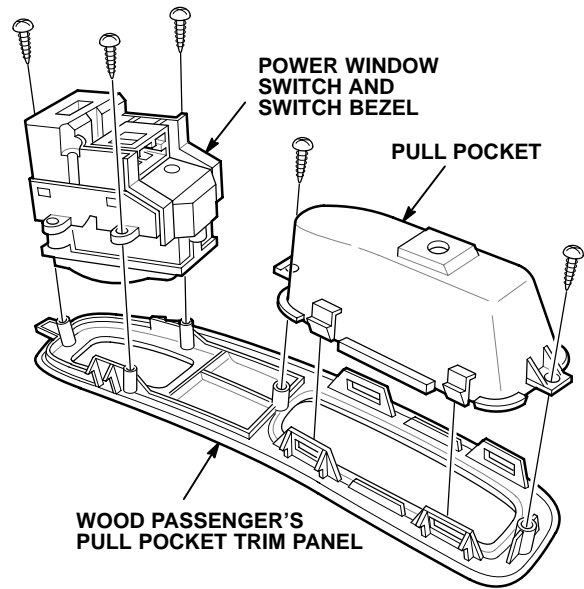
Passenger's Door:



14. Remove the power window switch and the pull pocket from the original pull pocket trim panel. Save the screws; they will be reused.
15. Put one felt dot on the power window switch as shown, then install a switch bezel onto the power window switch using two of the screws supplied in the kit.



16. Install the power window switch and switch bezel and the pull pocket onto the wood passenger's pull pocket trim panel using the screws saved in step 14.



17. Install the wood passenger's pull pocket trim panel onto the passenger's door, and plug in the connector.
18. Perform steps 13 through 17 on the two rear doors.
19. Reconnect the battery, and reset the radio station presets.
20. Reset the clock.
21. At all four doors, operate the power window switch to check window operation, opening and closing the windows.