

**INSTALLATION
INSTRUCTIONS**

Accessory

DOOR PANEL TRIM

Application

**ACCORD
2-DOOR**

Publications No.

All 25731

Issue Date

SEP 2003**PARTS LIST****Door Panel Trim**

P/N 08203-SD-130A (Birdseye - look)

P/N 08203 SD-120A (Burlwood - look)

P/N 08203-SDN-110 (Metal - look)

Left door panel trim



Right door panel trim

**SUPPLIES REQUIRED**

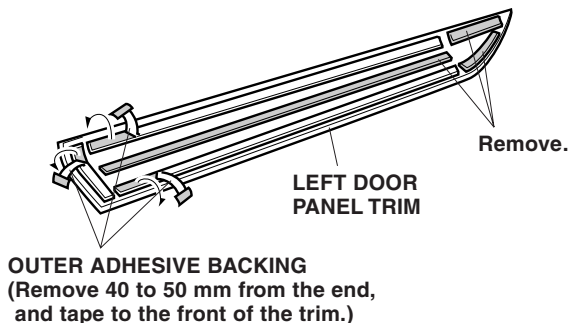
Isopropyl alcohol

Shop towel

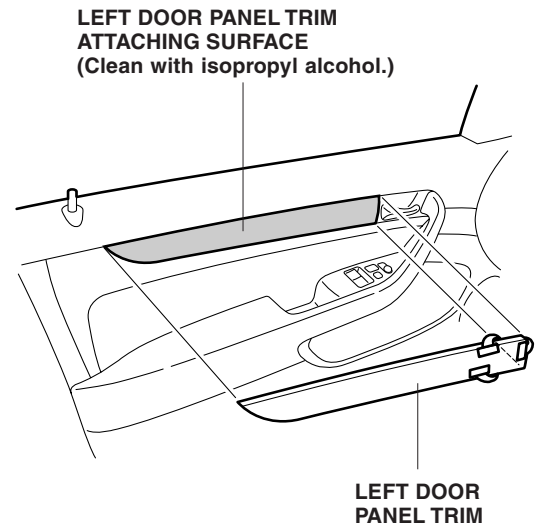
Masking tape

INSTALLATION**NOTE:**

- The door panel trim set kit should be installed only if the outside air temperature is 60°F (15°C) or above.
 - These instructions show the left door panel trim being installed. The same procedure applies to installing the right door lining panel.
1. Using isopropyl alcohol on a shop towel, thoroughly clean the areas where the left door panel trim will attach.
 2. Remove and discard the inner adhesive backing and the small pieces of outer adhesive backings. Attach a strip of masking tape to the end of each remaining outer adhesive backing, and remove 40 to 50 mm of the adhesive backing. Fold the ends back, and tape them to the front of the trim.



3. Position the trim on the existing door panel. While applying light pressure on the trim, carefully remove the adhesive backings.



4. After installing the trim, use the palm of your hand to hold pressure against it for 30 seconds.
5. Repeat steps 1 through 4 to install the right door panel trim.

USE AND CARE

Use a sponge or soft cloth dampened with mild detergent and water solution. After cleaning, wipe with a clean, soft cloth. Do not use cleaners or polishers containing abrasive compounds to clean the door panel trim as they may damage the surface.