



INSTALLATION INSTRUCTIONS

Accessory
**CASSETTE/MULTIMEDIA/
 IN-DASH CD PLAYER
 ATTACHMENT**

Application
**ACCORD
 2- AND 4-DOOR**

Publications No.
All 24379
 Issue Date
AUG 2002

**Attachment Kit :
 P/N 08B06-SDA-100**

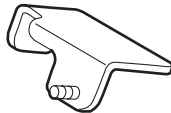
Left player bracket



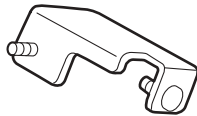
Right player bracket



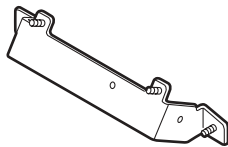
Left player subbracket



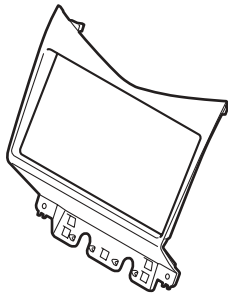
Right player subbracket



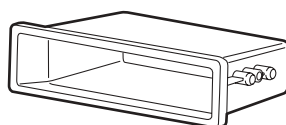
Player base-bracket



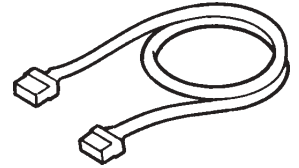
Player panel



Pocket



BUS cable



2 Latches



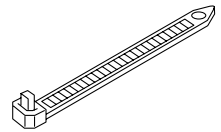
8 Flange nuts, 6 mm



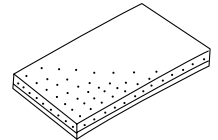
2 Grommet screws



2 Wire ties



3 EPT sealers

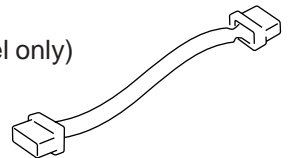


2 Self-tapping screws, 4 x 12 mm



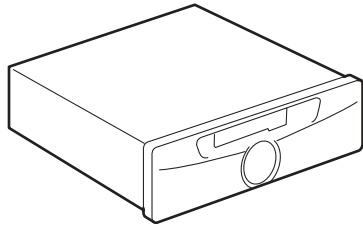
**Bus Cable:
 P/N 08A31-0E1-010**

BUS cable
 (for navigation equipped model only)

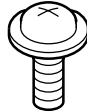


Cassette Player :
P/N 08A03-5E1-000

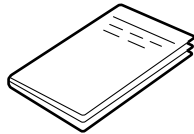
Cassette player



4 Washer-screws, 5 x 8 mm

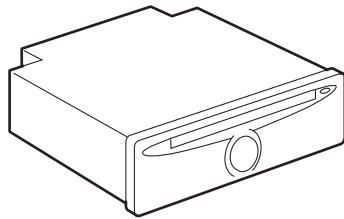


Owner's Manual



Multimedia Player :
P/N 08A06-4E1-200

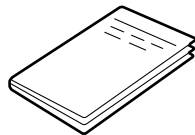
Multi media player



4 Washer-screws, 5 x 8 mm

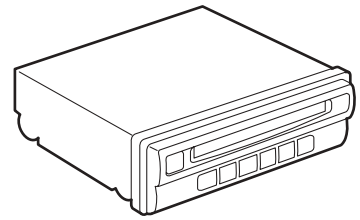


Owner's Manual



In-Dash CD Player :
P/N 08A06-3E1-300

In-dash CD changer



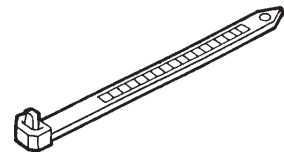
6 Washer-screws, 5 x 8 mm



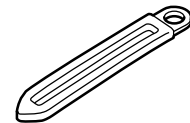
Washer-screw, 4 x 6 mm



Wire tie



Harness clip



TOOLS AND SUPPLIES REQUIRED

Phillips screwdriver
Flat-tip screwdriver
10 mm Combination wrench
Ratchet
10 mm Socket
File
Utility knife
Scissors
Shop towel
Hook tool
Masking tape
Tape measure

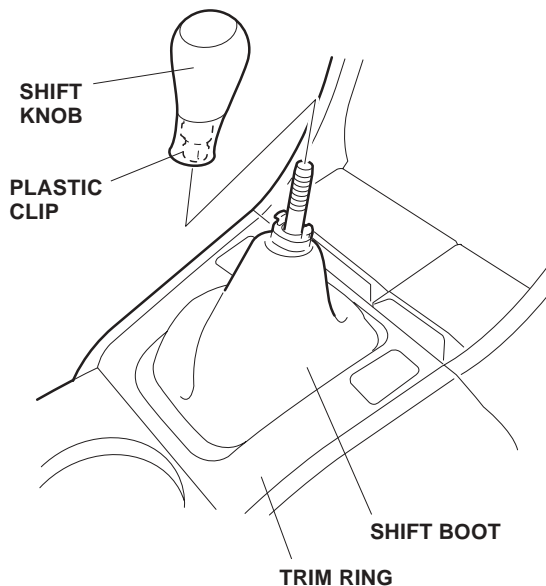
INSTALLATION

Customer Information: The information in this installation instruction is intended for use only by skilled technicians who have the proper tools, equipment, and training to correctly and safely add equipment to your car. These procedures should not be attempted by “do-it-yourselfers.”

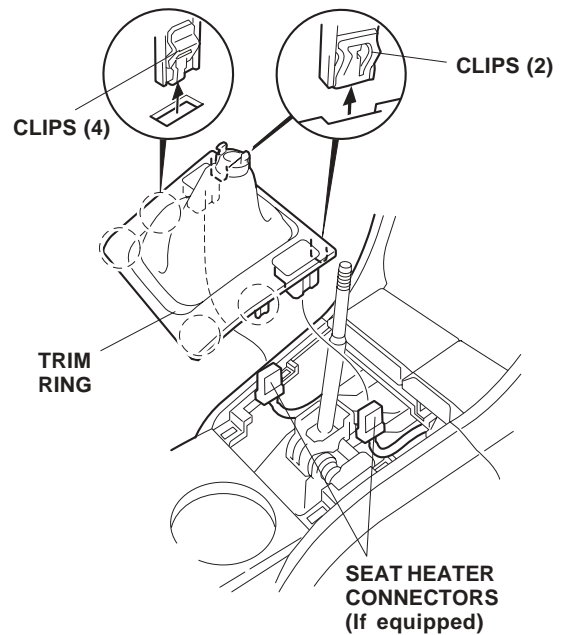
1. Make sure you have the anti-theft code for the radio, then write down the frequencies for the preset buttons.
2. Disconnect the negative cable from the battery.
3. Remove the trim ring.

M/T Model

- Squeeze the plastic clip and pull down on the shift knob. Remove the shift knob by turning it counterclockwise.

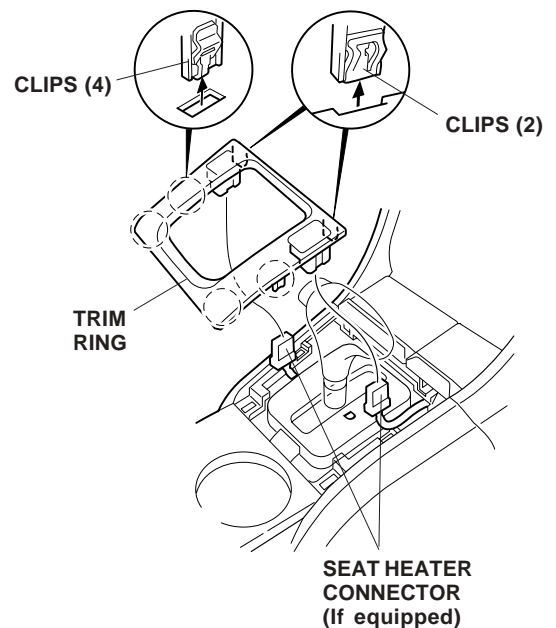


- Gently pry up on the trim ring to release the six clips.
- Unplug the two seat heater connectors (if equipped), and remove the trim ring.

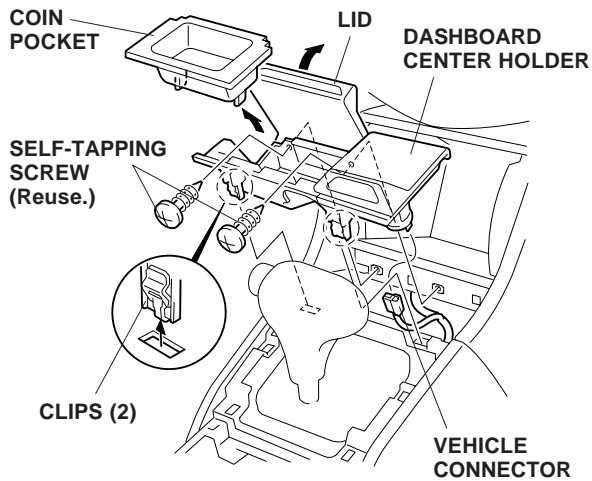


A/T Model

- Gently pry up on the trim ring to release the six clips.
- Unplug the two seat heater connectors (if equipped), and remove the trim ring.

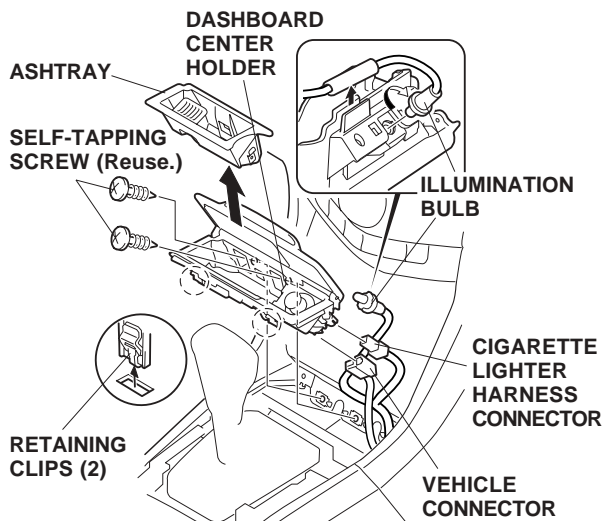


4. Remove the dashboard center holder:
 - Open the coin pocket lid and remove the coin pocket.
 - Remove the two self-tapping screws.
 - Gently pull out on the dashboard center holder to release the two retaining clips, unplug the vehicle connector, and remove the center holder.

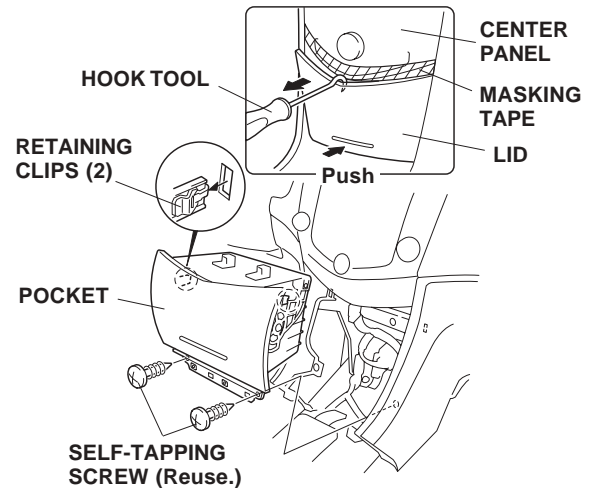


With Ashtray

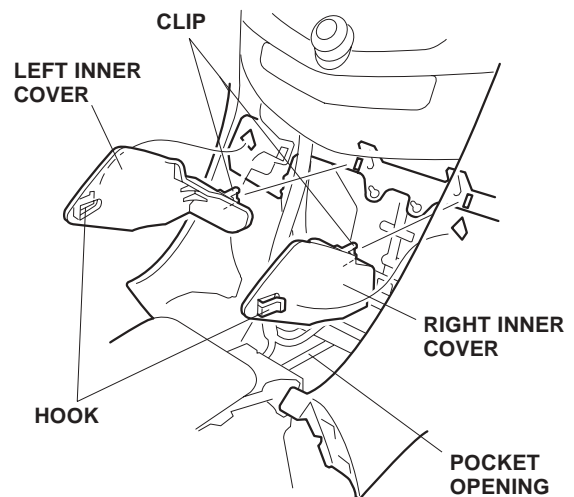
- Open the lid and remove the ashtray.
- Remove the two self-tapping screws.
- Gently pull out on the two retaining clips, unplug the cigarette lighter harness connector, vehicle connector, illumination bulb, and remove the center holder.



5. Remove the pocket:
 - Apply masking tape to the edge of the center panel.
 - Remove the two self-tapping screws.
 - Push in on the bottom of the pocket, then pull out on the top by inserting the end of a hook tool between the pocket and center panel, and pull it out toward you to release the two retaining clips.

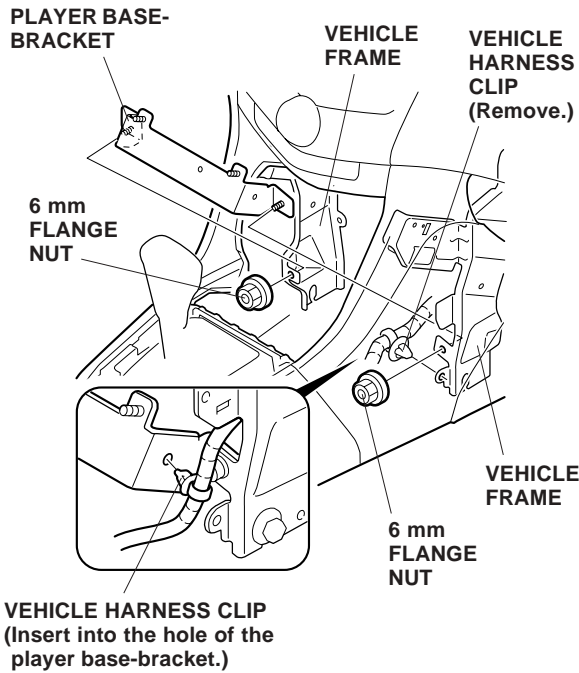


6. Remove the right and left inner covers (one hook and one clip for each cover).



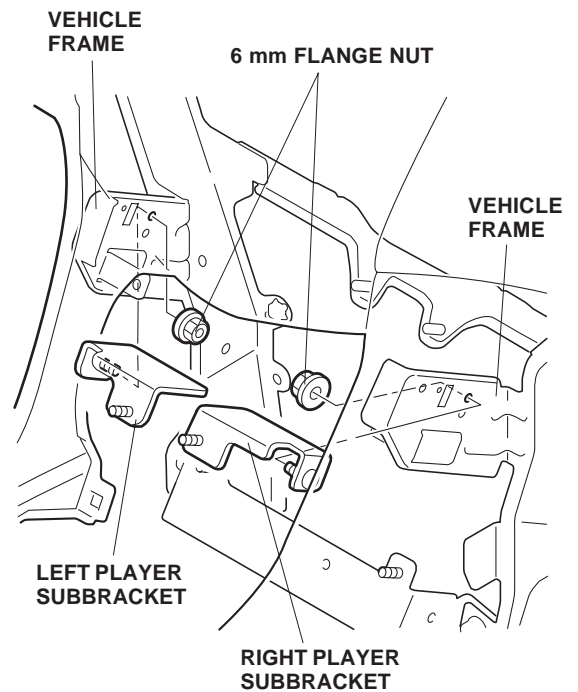
Installing the Player

7. Remove the vehicle harness clip from the vehicle frame, and move it out of the way.

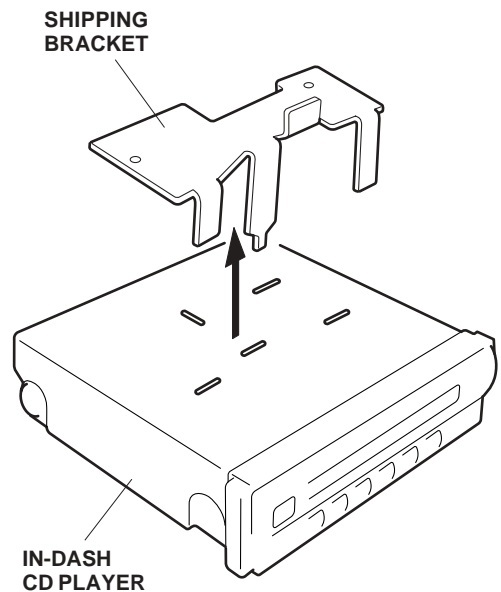


8. Insert the studs from the player base-bracket into the holes in the vehicle frame from the back, then install the two 6 mm flange nuts while holding the bracket firmly against the vehicle frame. Insert the harness clip (removed in step 7) into the hole in the player base-bracket.

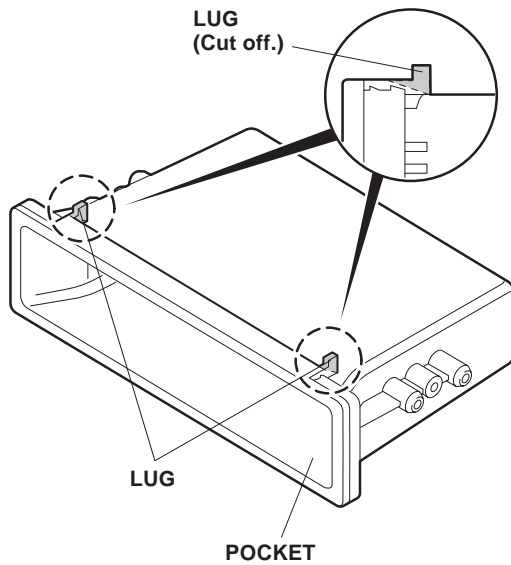
9. Insert the studs of the left and right player sub-brackets into the holes in the vehicle frame, then install one 6 mm flange nut on the end of each stud while pushing each sub bracket upward.



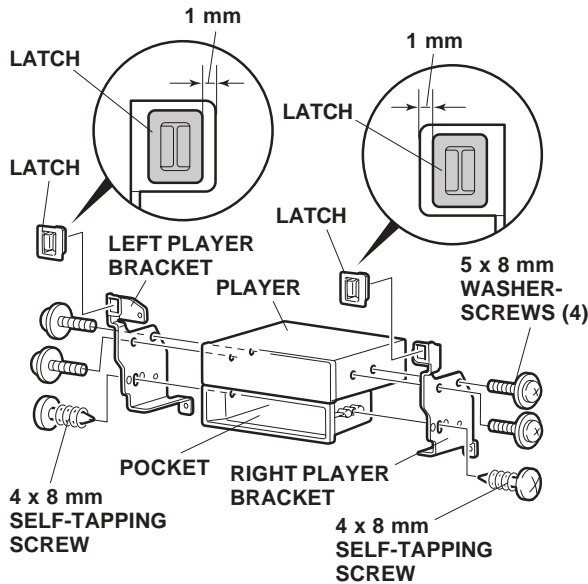
10. If you are installing an in-dash CD player, remove the shipping bracket.



- Get the pocket. Using a utility knife, cut the two lugs off from the pocket.



- Install the one latch to the left and right player brackets.



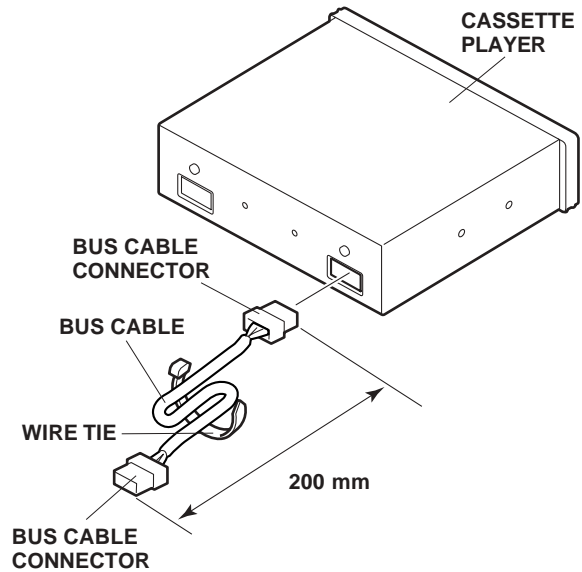
- Position the left and right player brackets on the player and pocket, and install four 5 x 8 mm washer-screws, and two 4 x 8 mm self-tapping screws.

- Plug the BUS cable to the player.

Without Navigation System

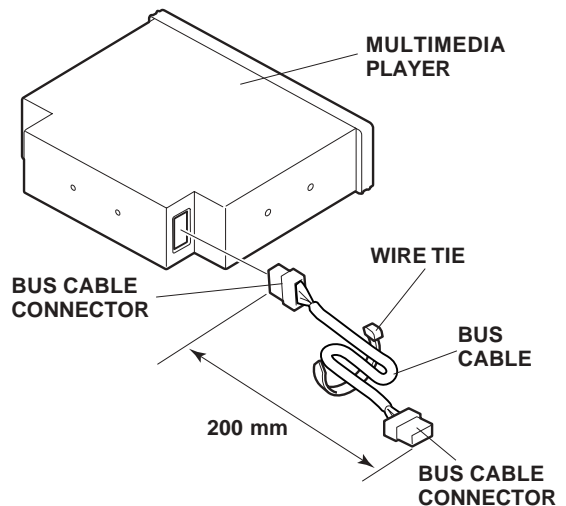
Cassette Player

- Make loops in the BUS cable and secure it with one wire tie, so that the distance between the ends of the cable connectors are 200 mm. Plug the BUS cable connector into the cassette player connector.



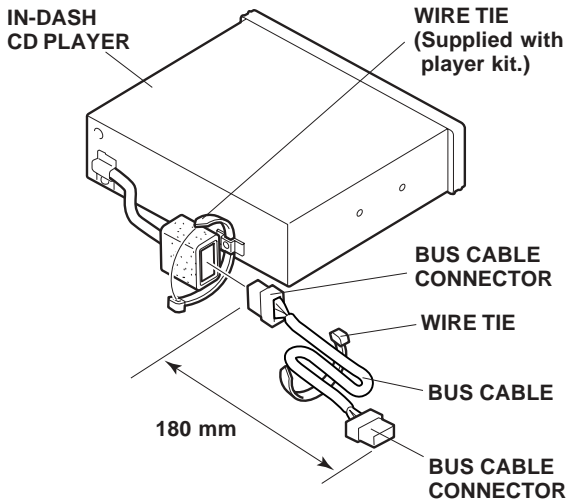
Multimedia Player

- Make loops in the BUS cable and secure it with one wire tie, so that the distance between the ends of the cable connectors are 200 mm. Plug the BUS cable connector into the multimedia player connector.



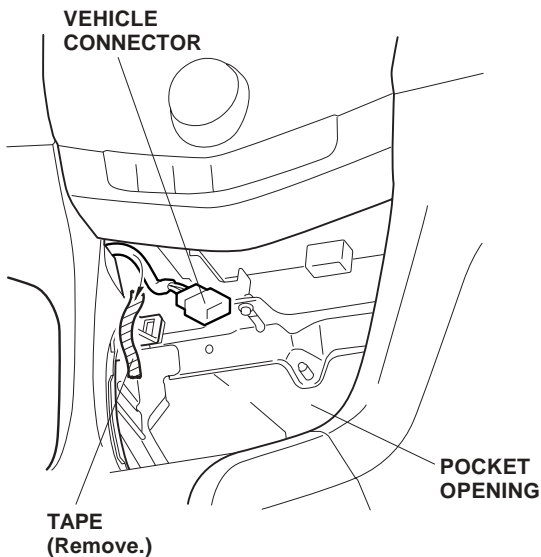
In-Dash CD Player

- Make loops in the BUS cable and secure it with one wire tie, so that the distance between the ends of the cable connectors are 180 mm. Plug the BUS cable connector into the connector from the in-dash CD player.
- After connecting, secure the connectors to the rear of the in-dash player with one wire tie from in the in-dash CD player kit.

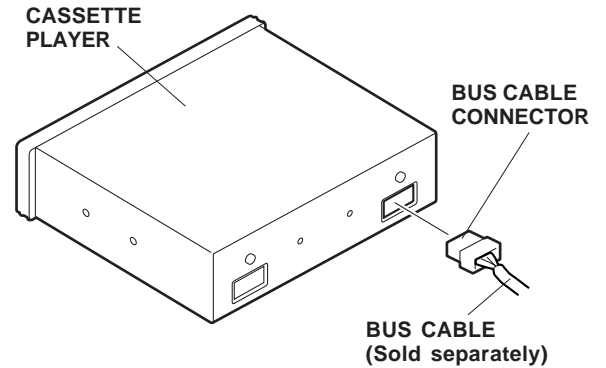


With Navigation System

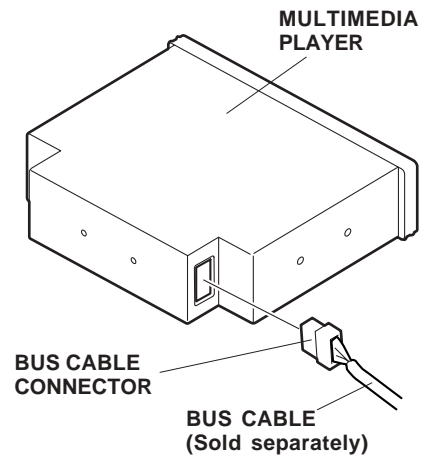
- Remove the tape that secures the vehicle harness to the upper left pocket opening, and pull the harness out through the pocket opening.



Cassette Player

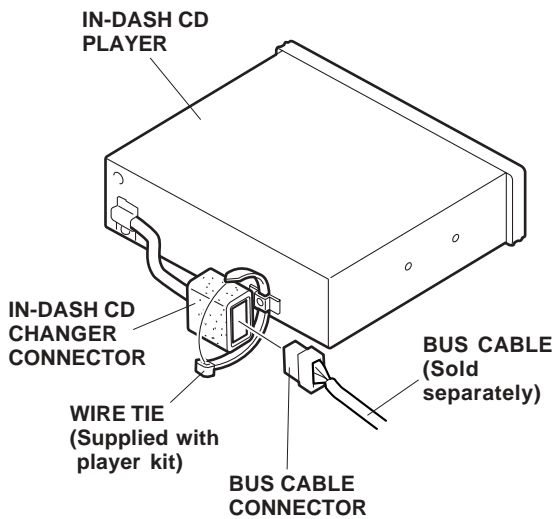


Multimedia Player

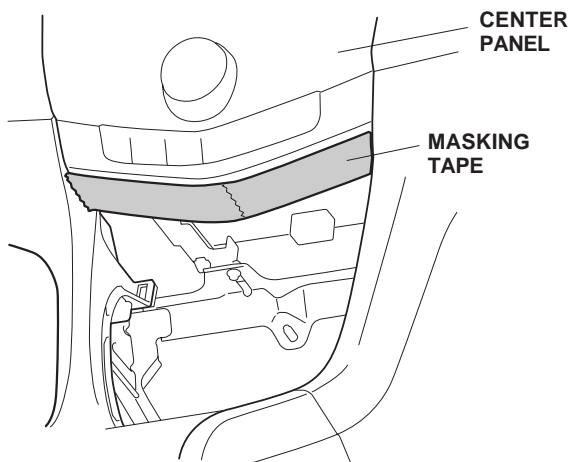


In-Dash CD Player

- Secure the connectors to the rear of the in-dash CD player with one wire tie from in the in-dash CD player kit.



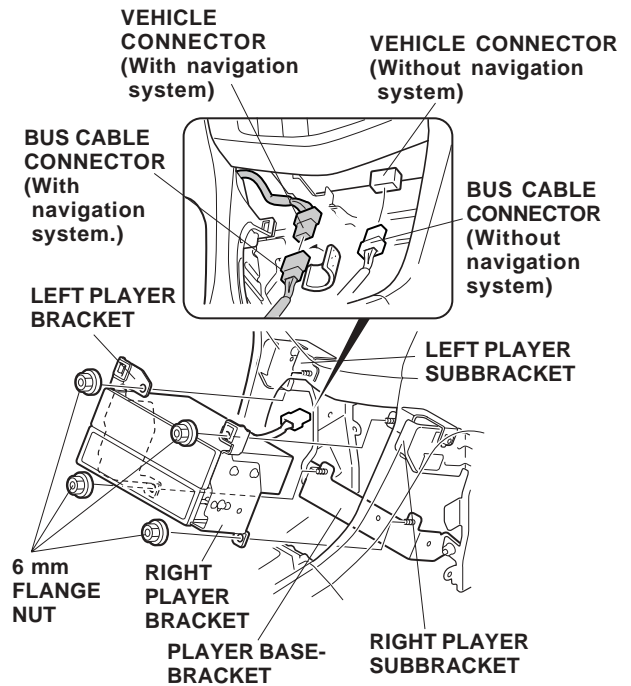
- To protect the center panel, attach the masking tape to the panel in the area shown.



- Plug the BUS cable connector into the vehicle connector.

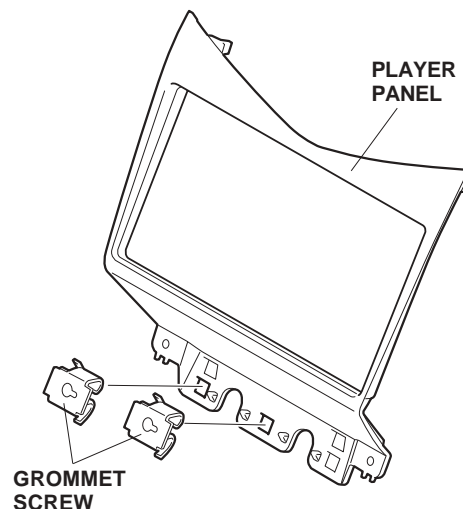
With Navigation System

- Wrap the plugged connectors with one EPT sealer.

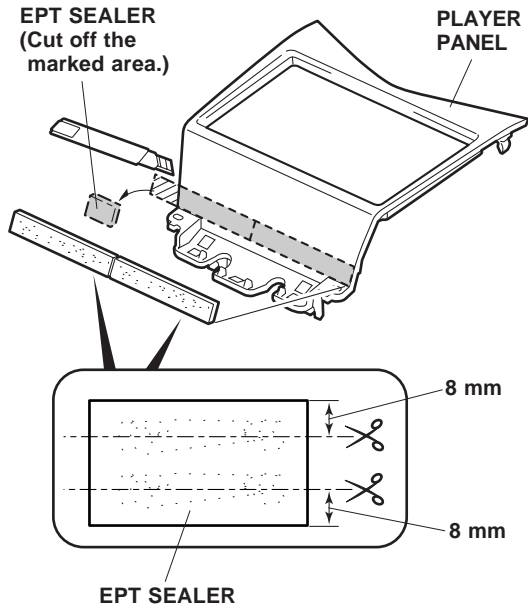


- Insert the studs of the left and right player subbrackets and player base-bracket into the holes in the left and right player brackets, then install one 6 mm flange nut on the end of each stud.

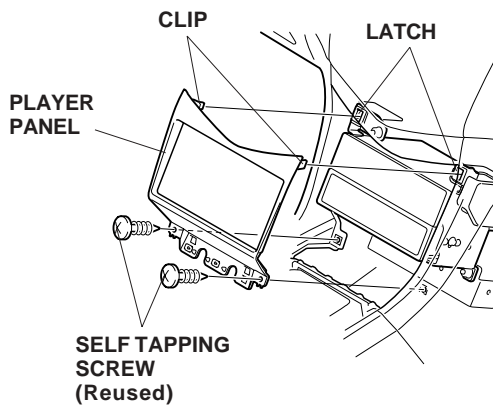
- Attach two grommet screws to the player panel in the square holes shown.



19. Measure and cut one EPT sealer in three pieces using scissors.



20. Clean the player panel with isopropyl alcohol where the EPT sealers will attach. Attach the EPT sealer to the player panel and cut off the excess area from the player panel.
21. Insert the player panel clips into their latches, and attach the player panel to the instrument panel with the two self-tapping screws you removed in step 5. Remove the masking tape.



22. Check that all wire harnesses are routed properly and all connectors are plugged in.
23. Reconnect the negative cable to the battery.
24. Enter the customer's radio anti-theft code, and reset the radio station presets.
25. Set the clock.
26. Check the operation of the player according to the its Owner's Manual.
27. Put the player Owner's Manual in the glove box.
28. Reinstall all removed parts.

NOTE: Whenever the battery is disconnected, the driver's window AUTO function is disabled.

29. Start the engine. Push down fully on the driver's window switch until the window is open.
30. Pull up on the driver's window switch to close the window completely, then hold the switch for 2 seconds.
31. Test the driver's window AUTO function.