



# INSTALLATION INSTRUCTIONS

Accessory  
**CENTER PANEL TRIM KIT  
 (BURLWOOD LOOK)  
 P/N 08Z03-SDA-121B**

Application  
**ACCORD  
 2 AND 4-DOOR**

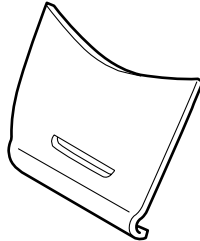
Publications No.  
**All 24382**

---

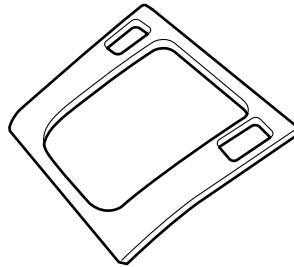
Issue Date  
**AUG 2002**

## PARTS LIST

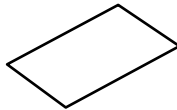
Center pocket trim



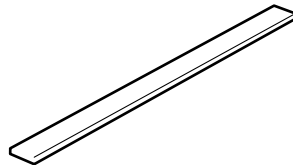
Trim ring trim



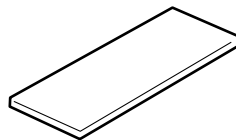
2 Films



Film L



Adhesive



## SUPPLIES REQUIRED

- Isopropyl alcohol
- Shop towel
- Masking tape
- Felt-tip pen
- Scale

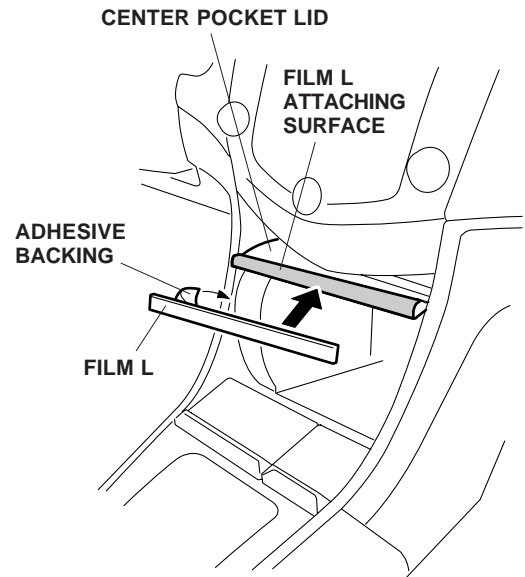
## INSTALLATION

**NOTE:** This center panel trim kit should be installed only if the outside air temperature is 60°F (15°C) or above.

### Installing the Center Pocket Trim

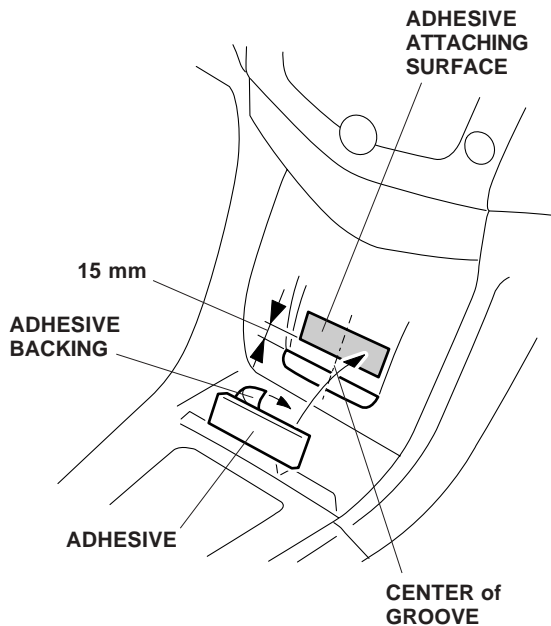
*If the center pocket lid is not black, start with step 1; otherwise, go to step 3.*

1. Using isopropyl alcohol on a shop towel, thoroughly clean the area where the film L will attach.
2. Remove the adhesive backing from the film L, and attach it to the center pocket lid aligning the lower edge of the film L with the lower end of the curved surface of the center pocket lid.

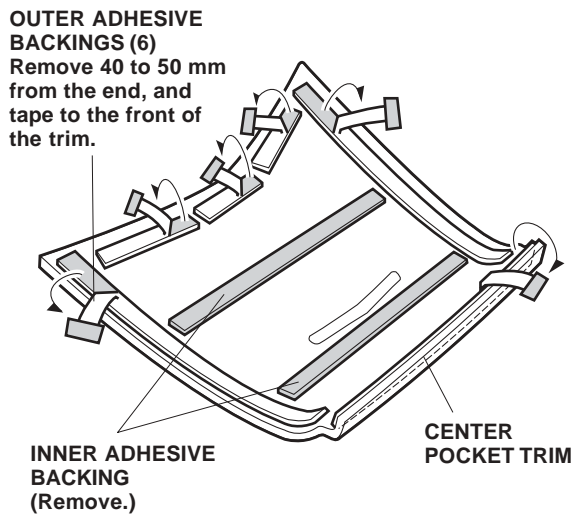


If the center pocket lid is black, continue with step 3; otherwise, go to step 6.

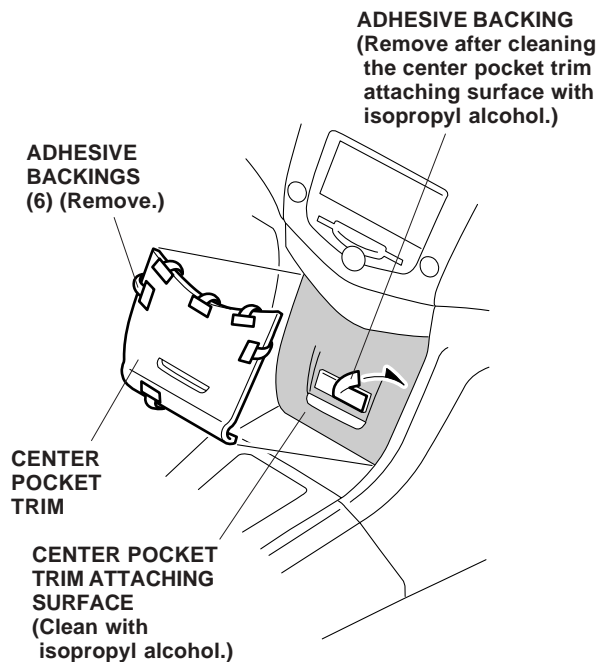
3. Using isopropyl alcohol on a shop towel, thoroughly clean the area where the adhesive will attach.
4. Remove the adhesive backing from the adhesive, and attach it to the center pocket lid as shown.



5. Attach a strip of masking tape to the end of each outer adhesive backing, and remove 40 to 50 mm of the adhesive backing. Fold the ends back, and tape them to the front of the center pocket trim. Remove and discard the inner adhesive backings.



6. Using isopropyl alcohol on a shop towel, thoroughly clean the area where the center pocket trim will attach.
7. Remove the adhesive backing from the adhesive surface.
8. Position the center pocket trim on the center pocket lid. While applying light pressure on the trim, carefully remove the adhesive backings.



9. After installing the center pocket trim, use the palm of your hand to hold pressure against it for 30 seconds.

## Installing the Trim Ring Trim

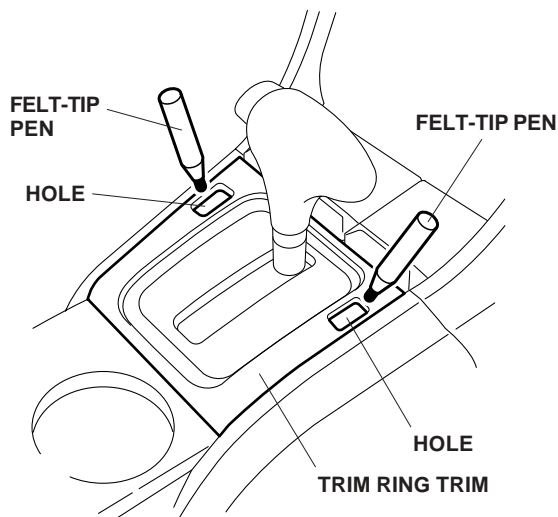
Steps 10 through 12 are for the car that have:

- Silver trim ring and not equipped with the heated seat switch.
- Yellow-grained trim ring and not equipped with the heated seat switch.

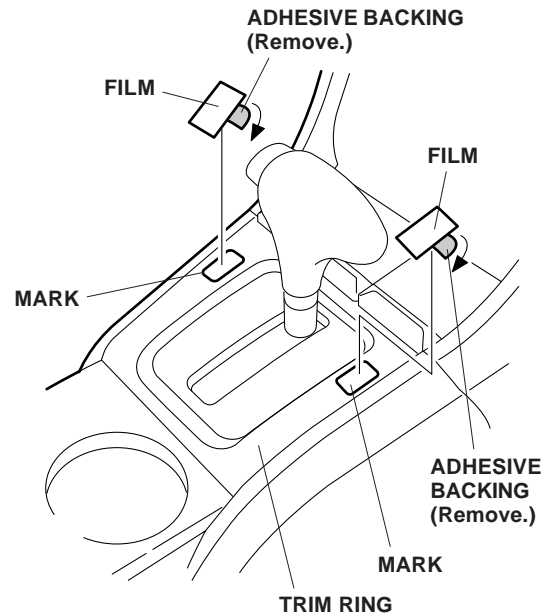
Go to step 13 if the car you are working on is:

- Equipped with the heated seat switch regardless of color of the trim ring.
- Equipped with the black trim ring and not equipped with the heated seat switch.

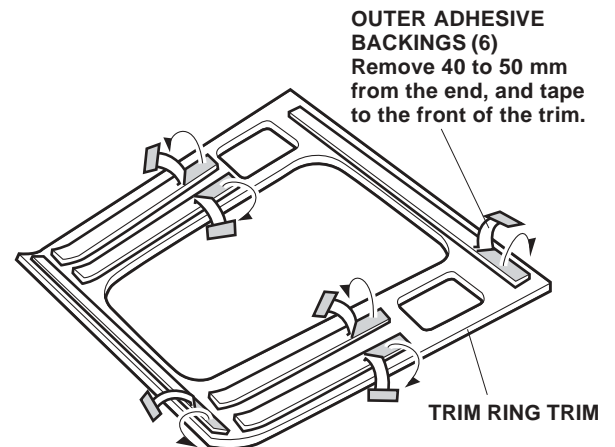
10. Position the trim ring trim on the existing trim, and mark the locations of the two holes on the existing trim with a felt-tip pen as shown. Remove the trim ring trim.



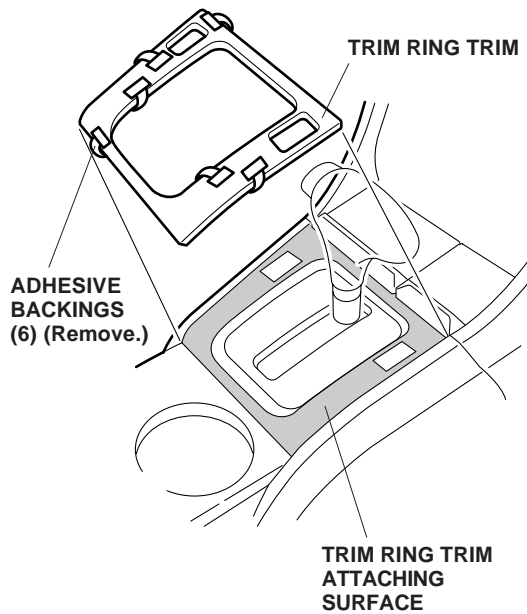
11. Using isopropyl alcohol on a shop towel, thoroughly clean the areas where the film will attach.
12. Remove the adhesive backings from the film, and attach them to the existing trim over the marks made.



13. Using isopropyl alcohol on a shop towel, thoroughly clean the areas where the trim ring trim will attach.
14. Attach a strip of masking tape to the end of each outer adhesive backing, and remove 40 to 50 mm of the adhesive backing. Fold the ends back, and tape them to the front of the trim ring trim.



15. Position the trim on the existing trim. While applying light pressure on the trim, carefully remove the adhesive backings.



16. After installing the trim ring trim, use the palm of your hand to hold pressure against it for 30 seconds.

#### **USE AND CARE**

Use a sponge or soft cloth dampened with mild detergent and water solution. After cleaning, wipe with a clean, soft cloth. Do not use cleaners or polishers containing compounds to clean the center panel trim pieces as they may damage the surface.