



INSTALLATION INSTRUCTIONS

Accessory
EXHAUST PIPE FINISHER
 P/N 08F53-SDB-100 (CHROME)
 P/N 08F53-SDB-100A (GOLD)

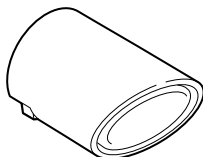
Application
ACCORD
4-DOOR (V6 ONLY)

Publications No.
All 24048
 Issue Date
AUG 2002

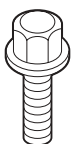
Keep this information in the glove box for future reference.

PARTS LIST

2 Exhaust pipe trims



2 Flange bolts



TOOLS REQUIRED

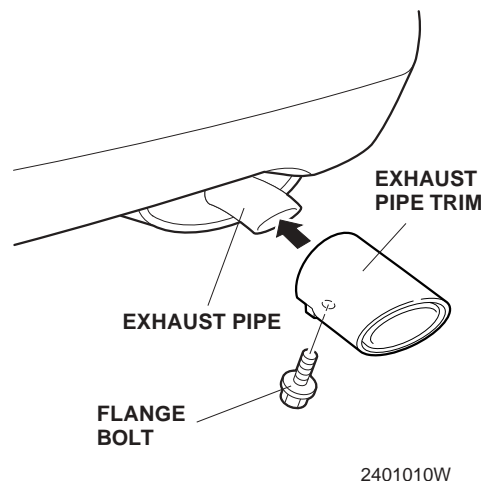
10 mm Socket
 Torque wrench

INSTALLATION

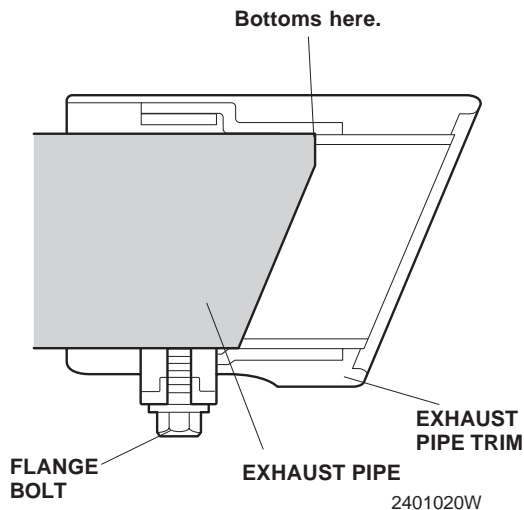
NOTE:

- Allow the exhaust pipe to cool down before you install the exhaust pipe trims.
- These instructions show the right exhaust pipe trim being installed. The same procedure applies to installing the left exhaust pipe trim.
- Never use abrasive type cleaners to clean the exhaust pipe trims, as they will damage the trim finish.

1. Partially thread a flange bolt into the exhaust pipe trim.



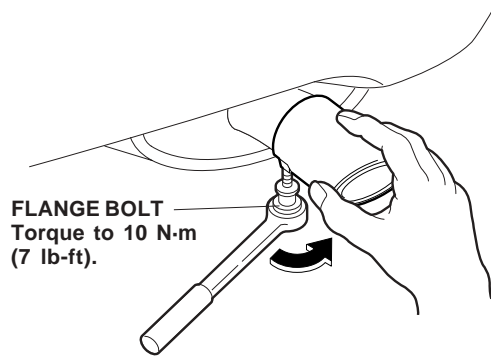
2. With the flange bolt on the bottom, facing down, slide the exhaust pipe trim onto the exhaust pipe until it bottoms.



Note:

On the 4 door V6 Model the exhaust tip will require a bit of force to slide it in place. A solid hit with the palm of your hand should be sufficient. It will not sit flush against the exhaust pipe as shown in the picture even when securely in place there will be a gap between the exhaust pipe and the liner.

3. While pushing the exhaust pipe trim firmly against the exhaust pipe, tighten the flange bolt. Torque to 10 N·m (7 lb-ft).



2401030W

4. Repeat steps 1 through 3 to install the other exhaust pipe trim.
5. Start the engine, and rev it up a few times. Listen for vibration from the exhaust pipe trim and adjust if necessary.