



INSTALLATION INSTRUCTIONS

Accessory
INTERIOR TRIM KIT

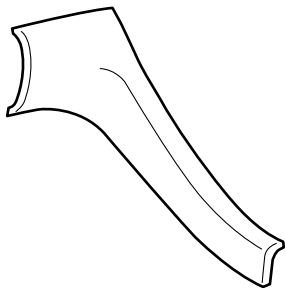
Application
ACCORD 2- AND 4-DOOR

Publications No. All 24389
Issue Date AUG 2002

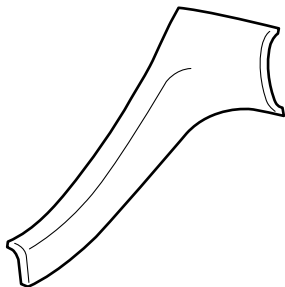
PARTS LIST

P/N 08Z03-SDA-111 (Birdseye look)
 P/N 08Z03-SDA-121 (Burlwood look)
 P/N 08Z13-SDA-111 (Metal look)

Left front console trim



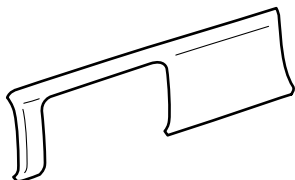
Right front console trim



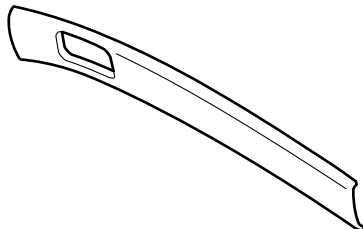
Inside lower cover trim



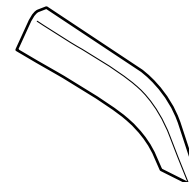
Outside lower cover trim



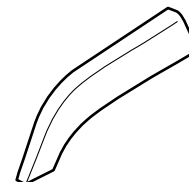
Glove box trim



Left center console trim



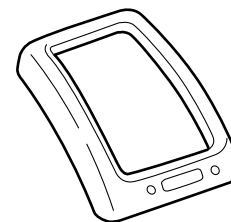
Right center console trim



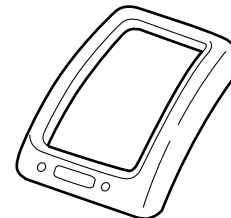
Center trim



Left outlet trim



Right outlet trim



SUPPLIES REQUIRED

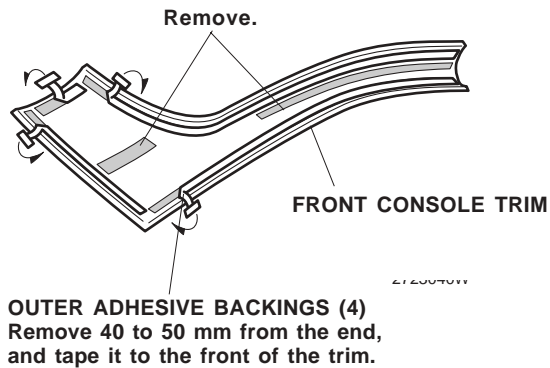
- Isopropyl alcohol
- Shop towel
- Masking tape

INSTALLATION

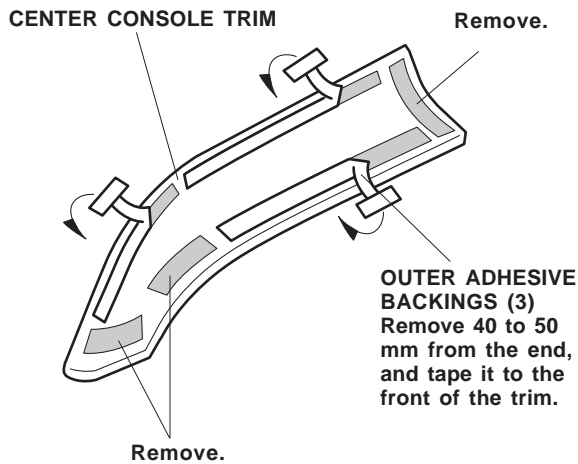
NOTE: This interior trim kit should be installed only if the outside air temperature is 60°F (15°C) or above.

1. Using isopropyl alcohol on a shop towel, thoroughly clean the areas where the interior trim pieces will attach.
2. Remove and discard the inner adhesive backings and the small piece of outer adhesive backings. Attach a strip of masking tape to the end of each remaining outer adhesive backing, and remove 40 to 50 mm of the adhesive backing. Fold the ends back, and tape them to the front of the trim.

Right and Left Front Console Trims:

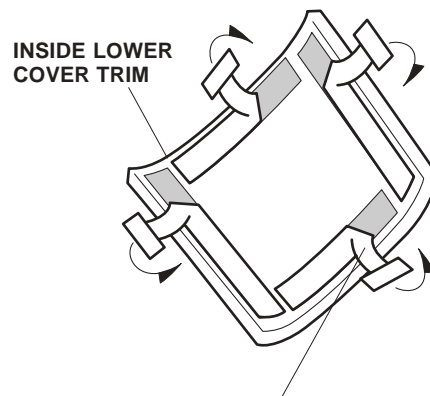


Right and Left Center Console Trims:



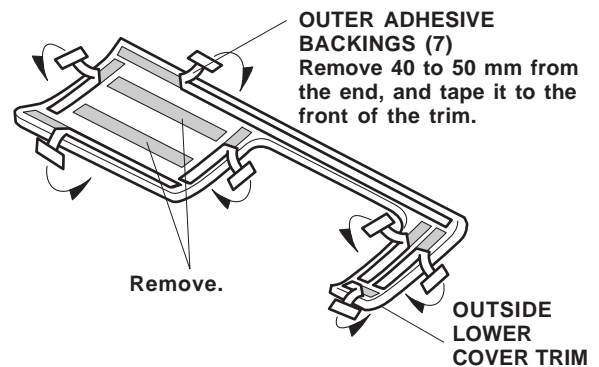
2723080W

Inside Lower Cover Trim:

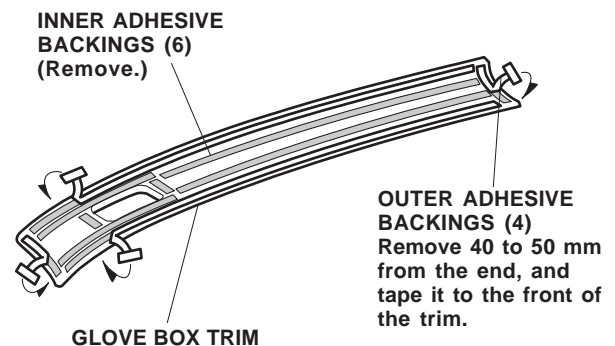


OUTER ADHESIVE BACKINGS (4)
Remove 40 to 50 mm from the end, and tape it to the front of the trim.

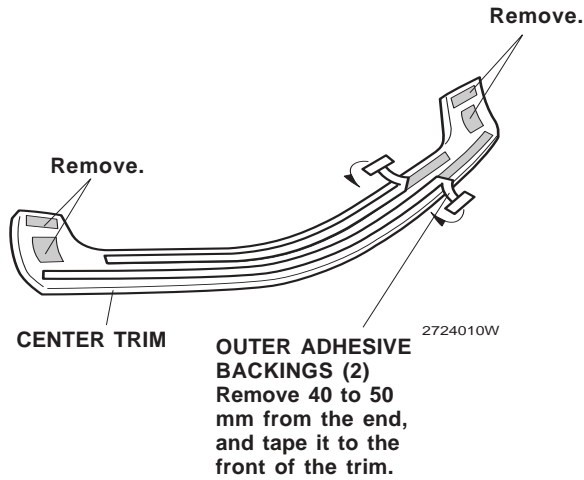
Outside Lower Cover Trim:



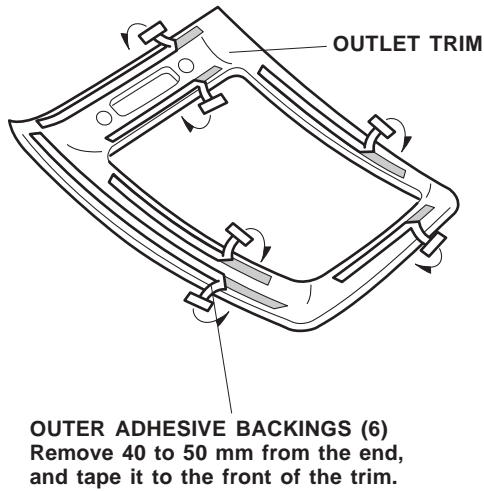
Glove Box Trim:



Center Trim:

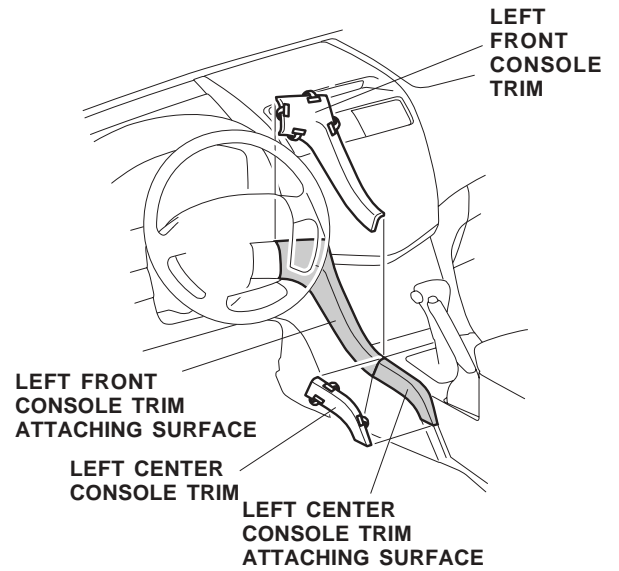


Right and Left Outlet Trims:

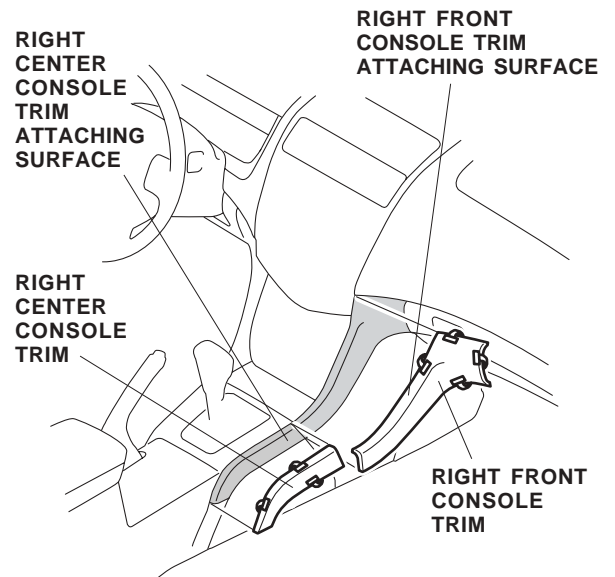


3. Position the trim pieces on the existing panels. While applying light pressure on the trim pieces, carefully remove the adhesive backings.
4. After installing the trim pieces, use the palm of your hand to hold pressure against it for 30 seconds.

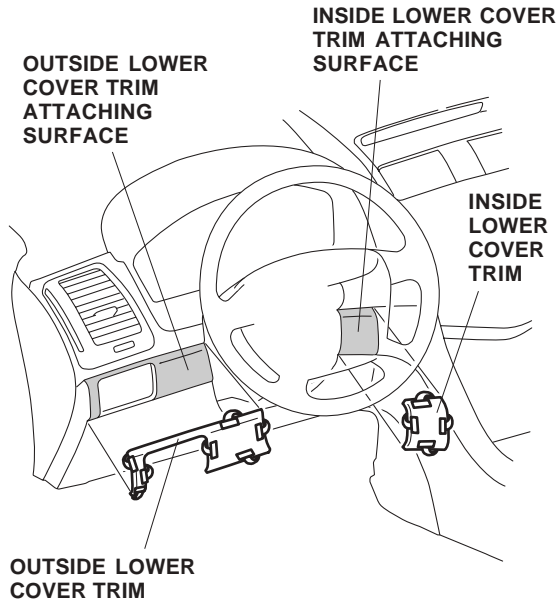
Left Front Console Trim/Left Center Console Trim:



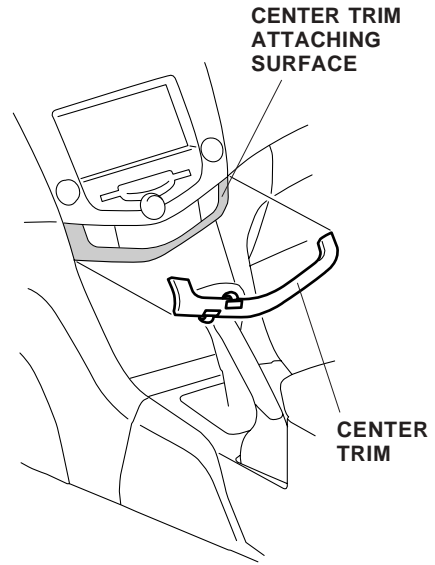
Right Front Console Trim/Right Center Console Trim:



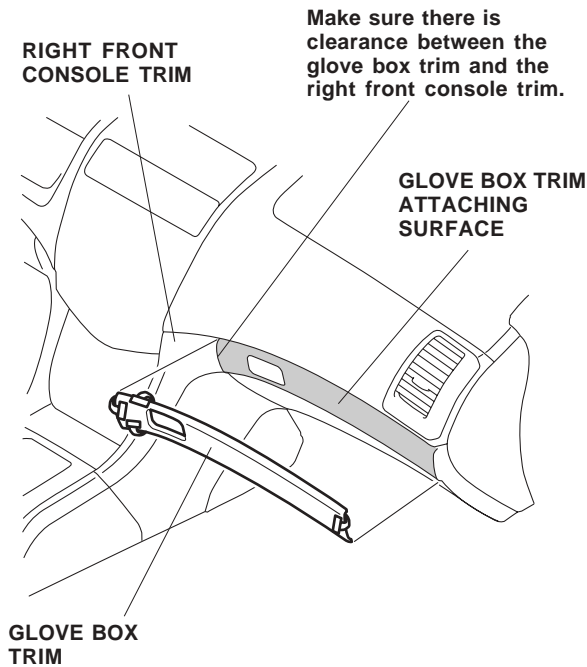
Inside and Outside Lower Cover Trims:



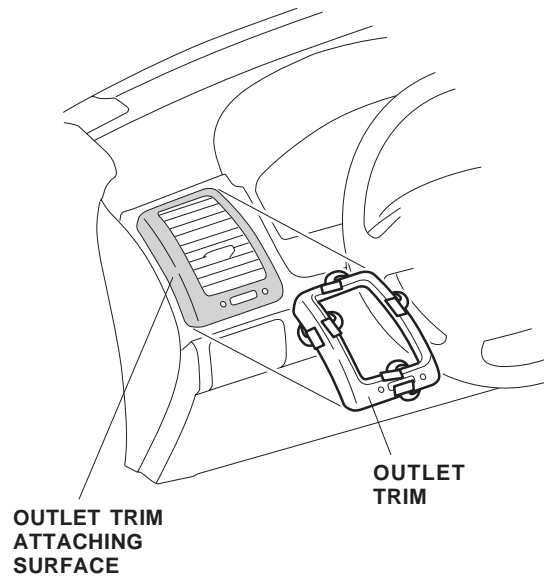
Center Trim:



Glove Box Trim:



Right and Left Outlet Trims:



USE AND CARE

Use a sponge or soft cloth dampened with liquid dishwashing soap and water solution. After cleaning, wipe with a clean, soft cloth. Do not use cleaners or polishers containing compounds to clean the interior trim pieces as they may damage the surface.