



INSTALLATION INSTRUCTIONS

Accessory
STEERING WHEEL

Application
**ACCORD
2-DOOR**

Publications No.
All 24087
Issue Date
SEP 2002

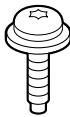
PARTS LIST

P/N 08U97-SDN-110 (Birdseye)
P/N 08U97-SDN-110A (Burlwood)
P/N 08U97-SDN-110B (Metal-look)

Steering wheel



2 Torx bolts



TOOLS REQUIRED

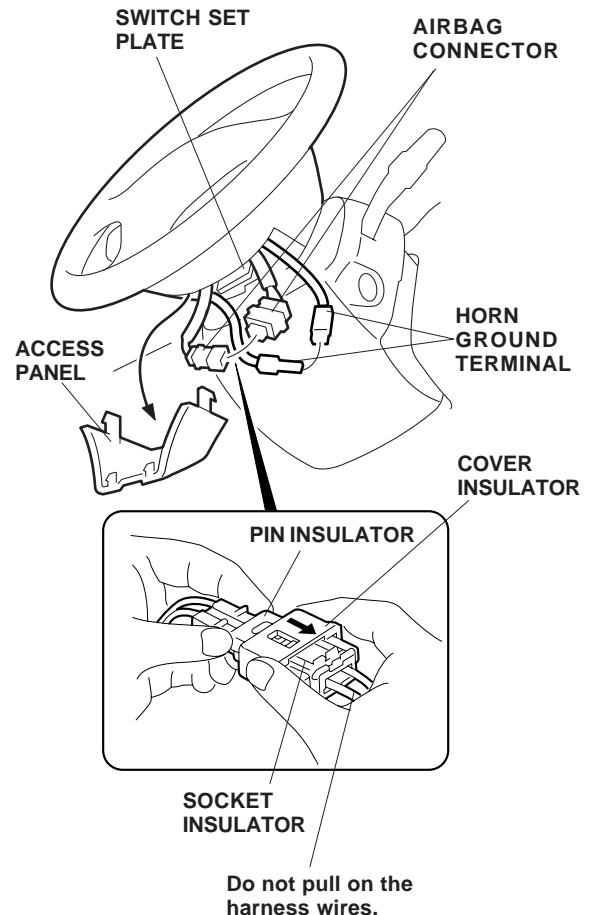
Phillips screwdriver
10 mm Combination wrench
Flat-tip screwdriver
14 mm T-handle wrench
Torque wrench
Steering wheel puller
T-30 Torx bit

INSTALLATION

Customer Information: The information in this installation instruction is intended for use only by skilled technicians who have the proper tools, equipment, and training to correctly and safely add equipment to your car. These procedures should not be attempted by “do-it-yourselfers.”

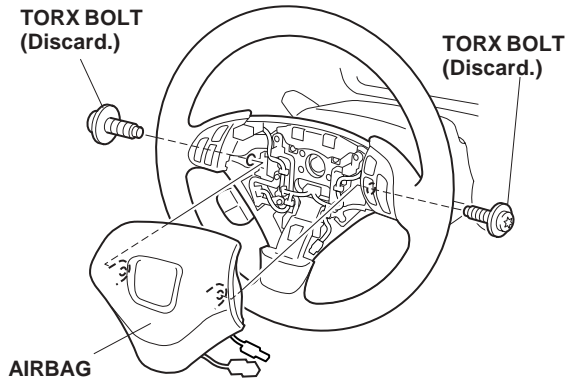
NOTE: Observe all safety notes and precautions described in the Service Manual in addition to these described in this Installation Instruction.

1. Make sure you have the anti-theft code for the radio, then write down the frequencies for the preset buttons.
2. Disconnect the negative cable from the battery, and wait for at least 3 minutes before you start to install the wood trim steering wheel.
3. Pry up on the retaining tabs, and remove the access panel from the underside of the driver's side airbag.
4. Remove the horn ground terminals and the airbag connectors from the switch set plate. Unplug the horn ground terminals.



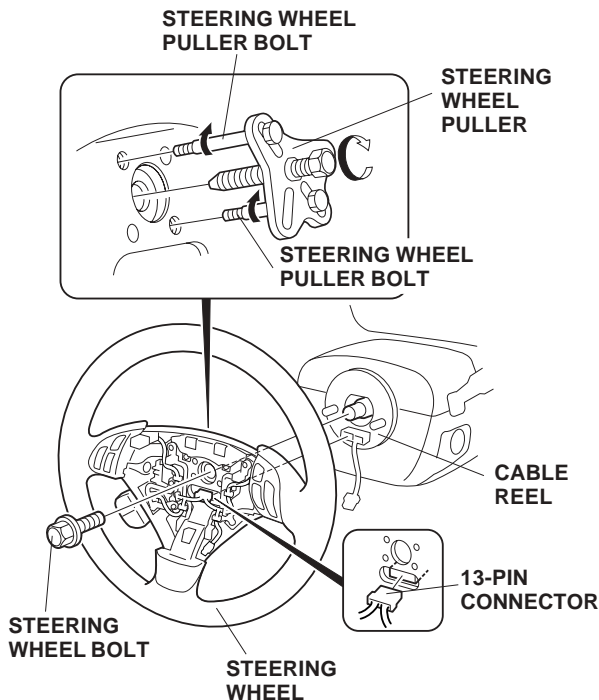
5. Unplug the airbag connectors; while holding the pin insulator, pull out on the cover insulator. Do not pull on the socket insulator.

- Remove and discard the two Torx bolts that secure the airbag, and remove the airbag. Carefully set the airbag in a secure location with the pad facing up. Do not drop or bump the airbag against anything.

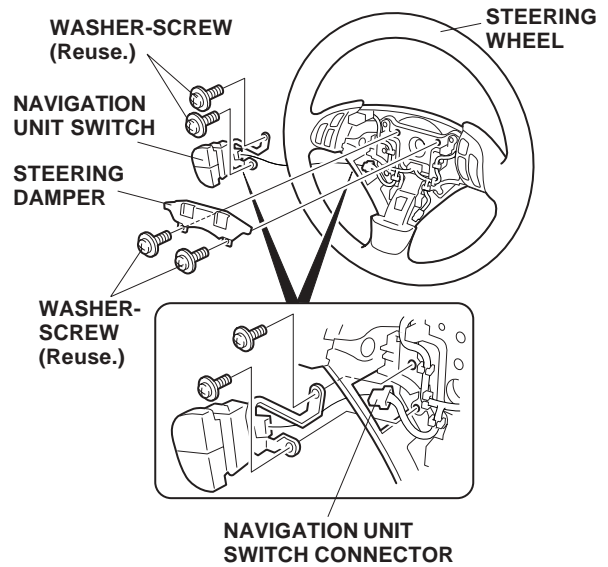


- Turn the steering wheel so the front wheels are in the straight-ahead position.
- Remove the steering wheel bolt. Disconnect the 13-pin connector from the cable reel, and remove the steering wheel. Be careful not to move the steering wheel during removal.

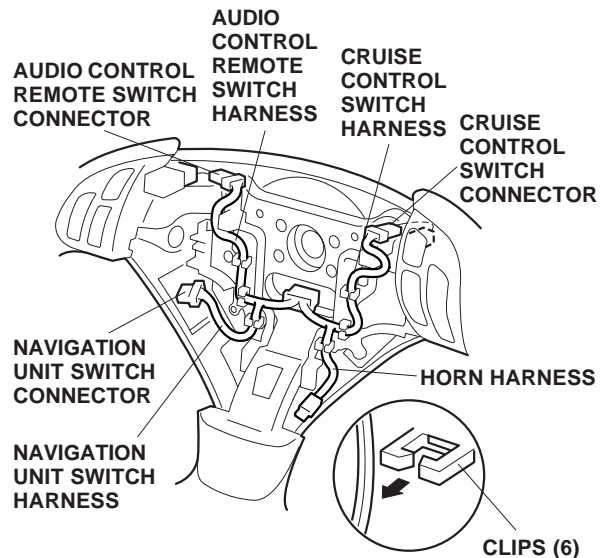
If a steering wheel puller is needed to remove the steering wheel, be careful not to thread the steering wheel puller bolts in more than 10 mm.



- Remove the steering damper (two washer-screws).

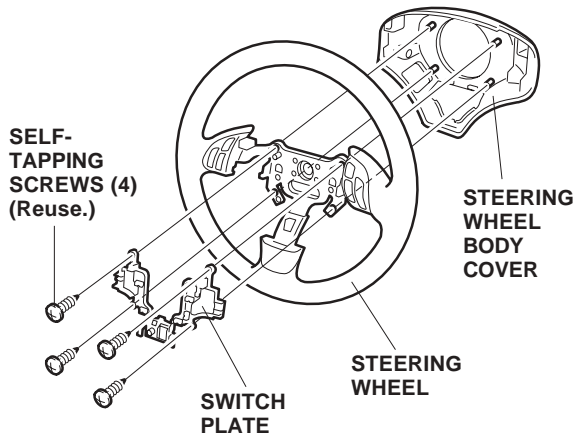


- Remove the navigation unit switch (two washer-screws), and disconnect the navigation unit switch connector.
- Disconnect the cruise control switch connector and the audio control remote switch connector. Note the location of the connectors.

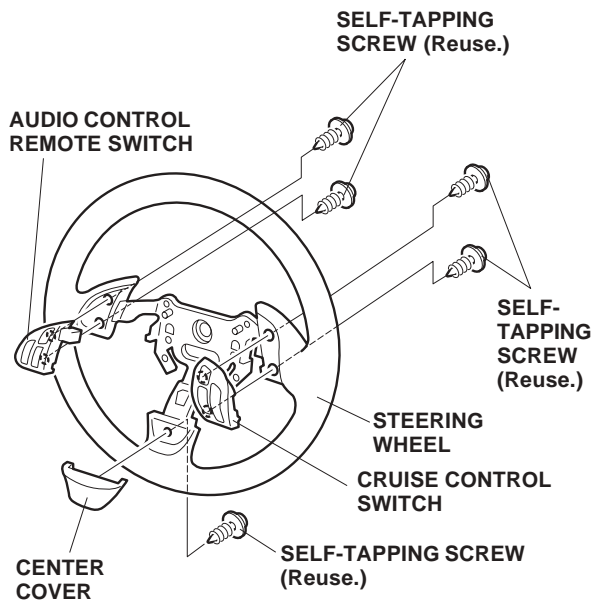


- Release the cruise control switch harness, the audio control remote switch harness, the navigation unit switch harness, and the horn harness from the six clips on the switch plate.

13. Remove the switch plate and the steering wheel body cover (four self-tapping screws).

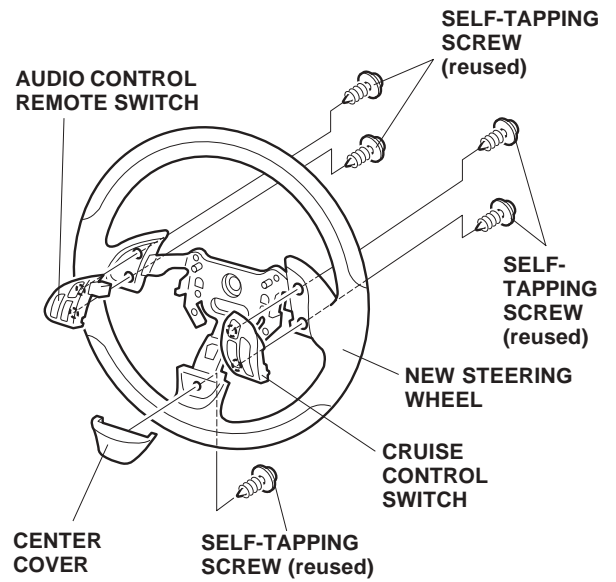


14. Remove the cruise control switch (two self-tapping screws).

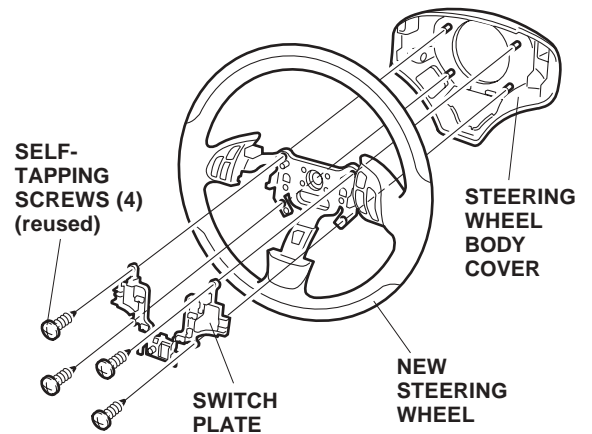


15. Remove the audio control remote switch (two self-tapping screws).
16. Remove the center cover (one self-tapping screw).

17. Install the center cover onto the new steering wheel with the one self-tapping screw.

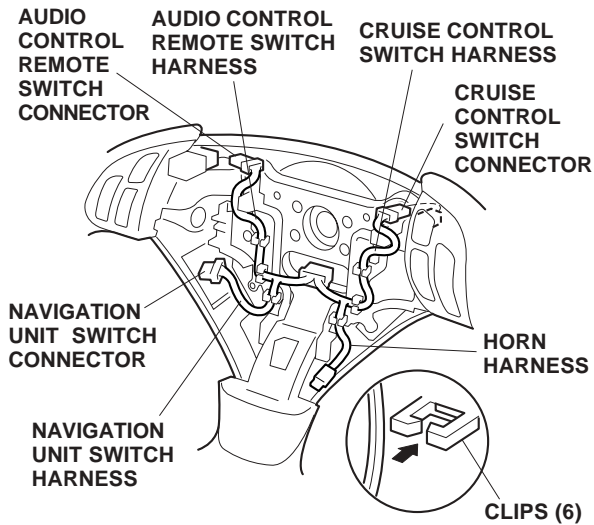


18. Install the audio control remote switch to the new steering wheel with the two self-tapping screws.
19. Install the cruise control switch onto the new steering wheel with the two self-tapping screws.

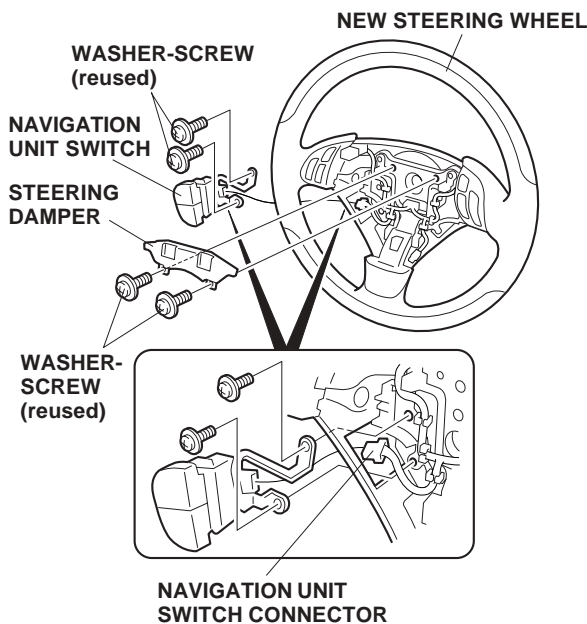


20. Install the switch plate and the steering wheel body cover with the four self-tapping screws.

- Get the harnesses (removed in step 12), and plug in the connectors for the cruise control switch and the audio control remote switch.



- Attach the cruise control switch harness, the audio control remote switch harness, the navigation unit switch harness and the horn harness to the clips on the switch plate.
- Install the navigation unit switch onto the new steering wheel with the two washer-screws, and connect the navigation unit switch connectors.

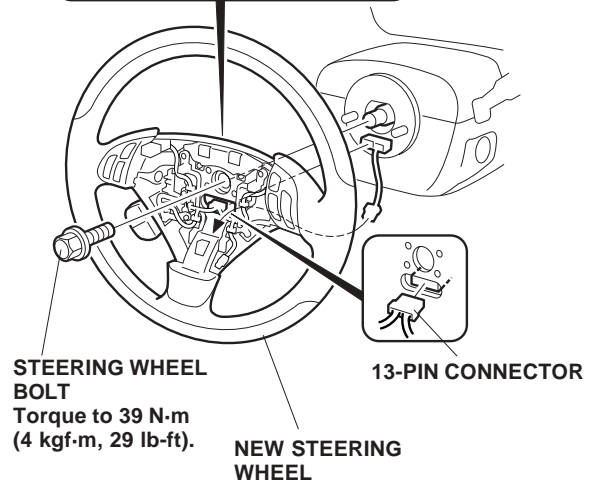
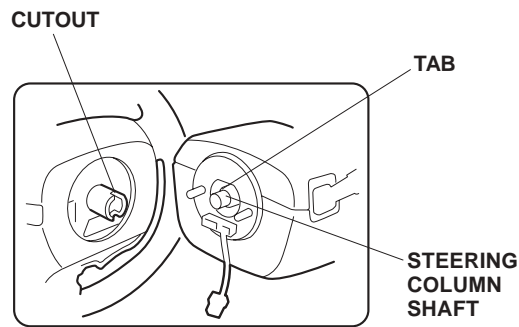


- Install the steering damper onto the new steering wheel with the two washer-screws.

If the cable reel was moved, continue with step 25; if it was not moved, go to step 26.

- Align the cable reel:
 - Rotate the cable reel clockwise all the way until it will no longer go.
 - Turn the cable reel counterclockwise about two complete turns until the "TOP" arrow on the cable reel points up.

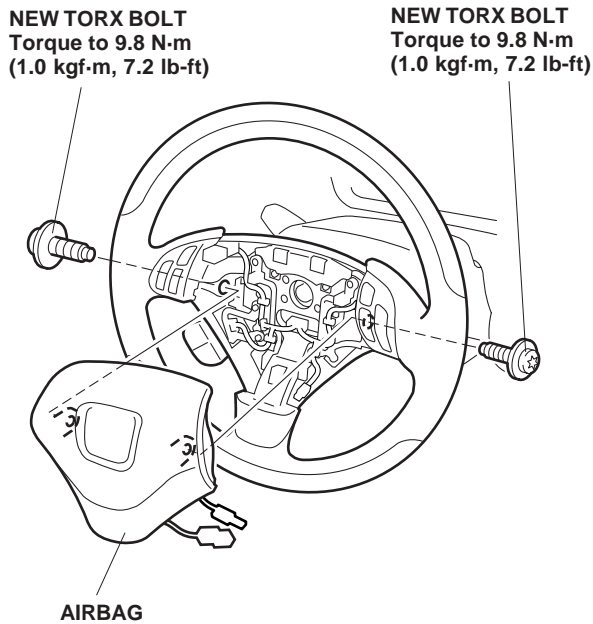
- Install the new steering wheel on the steering column shaft in the straight-ahead position:
 - Route the wire harnesses through the opening in the steering wheel.
 - Align the two tabs of the canceling sleeve with the two cutouts in the steering wheel as shown.
 - Check that the wire harnesses are not pinched.



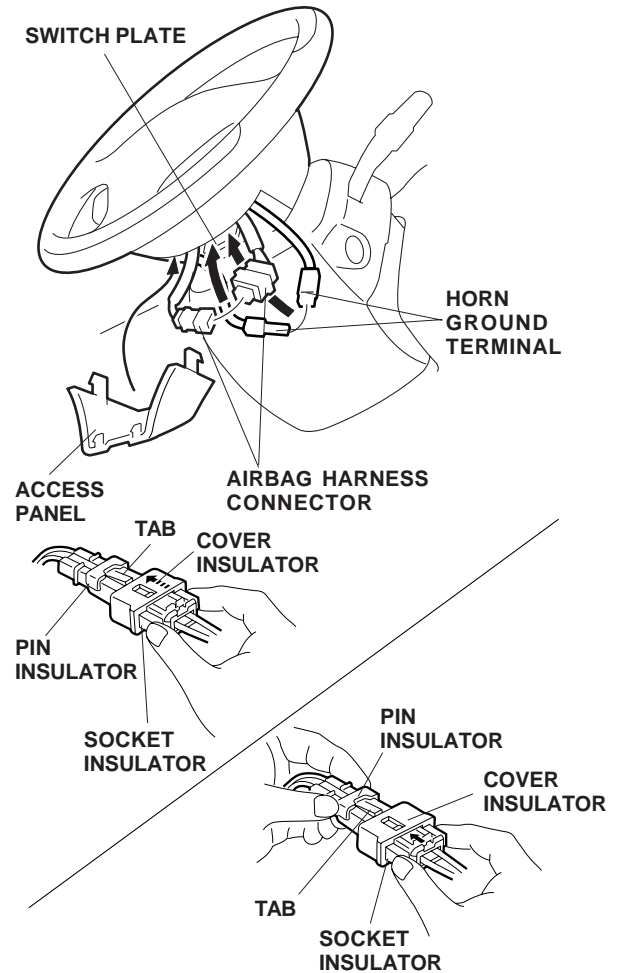
- Install the steering wheel bolt. Torque the steering wheel bolt to 39 N·m (4 kgf·m, 29 lb-ft).

- Reconnect the 13-pin connectors.

29. Get the airbag, and route the airbag harness down through the steering wheel. Position the airbag on the new steering wheel, and install the two Torx bolts supplied. Torque the Torx bolts to 9.8 N·m (1.0 kgf·m, 7.2 lb-ft).



30. From under the steering wheel, connect the horn ground terminals, and attach the terminals to the back of the switch plate.



31. Connect the airbag harness connectors:

- Push the socket insulator onto the pin insulator until it contacts the tab on the pin insulator.
- Do not push the socket insulator onto the pin insulator by pushing on the cover insulator.
- Continue pushing on the socket insulator in the same direction until the cover insulator rides over the tab on the pin insulator and is locked securely.
- Reattach the airbag harness connector to the switch plate.
- Reinstall the access panel.

32. Reconnect the negative cable to the battery.
33. Make sure the steering wheel is in the straight-ahead position with the front wheels.
34. Verify that the horn works.
35. Turn the ignition key on, and verify that the SRS warning light comes on and stays on for 6 seconds; turn the key off to make sure the SRS warning light goes off.
36. Enter the customer's radio anti-theft code, and reset the radio station presets.
37. Reset the clock.

NOTE: Whenever the battery is disconnected, the driver's window AUTO function is disabled.

38. Start the engine. Push down on the driver's window switch until the window is fully open.
39. Pull up on the driver's window switch to close the window completely, then hold the switch for 2 seconds.
40. Test the window AUTO function.