



INSTALLATION INSTRUCTIONS

Accessory ALL SEASON FLOOR MATS	Application ACCORD 4-DOOR	Publications No. All 30263
		Issue Date AUG 2005

Put this information in the glove box with the vehicle owner's manual.

PARTS LIST

All Season Floor Mats:

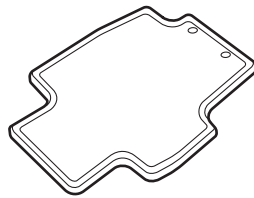
Front Floor Mat P/N 08P13-SDA-100 (Black)

Rear Floor Mat P/N 08P13-SDA-111A (Black)

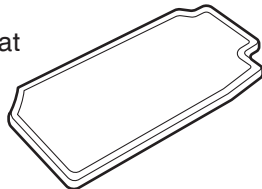
Front Floor Mat P/N 08P13-SDA-120 (Taupe)

Rear Floor Mat P/N 08P13-SDA-121A (Taupe)

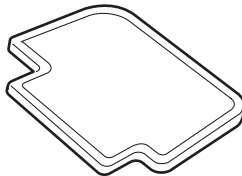
Driver's side front floor mat



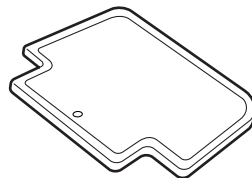
Passenger's side front floor mat



Driver's side rear floor mat



Passenger's side rear floor mat

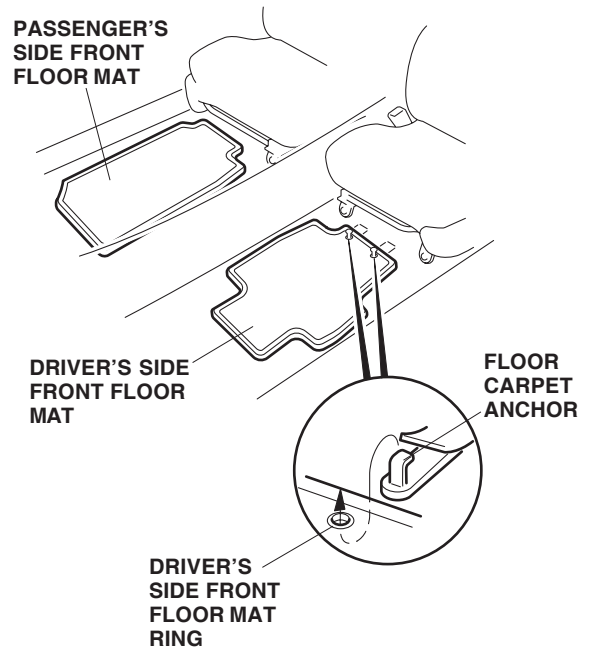


INSTALLATION

NOTE:

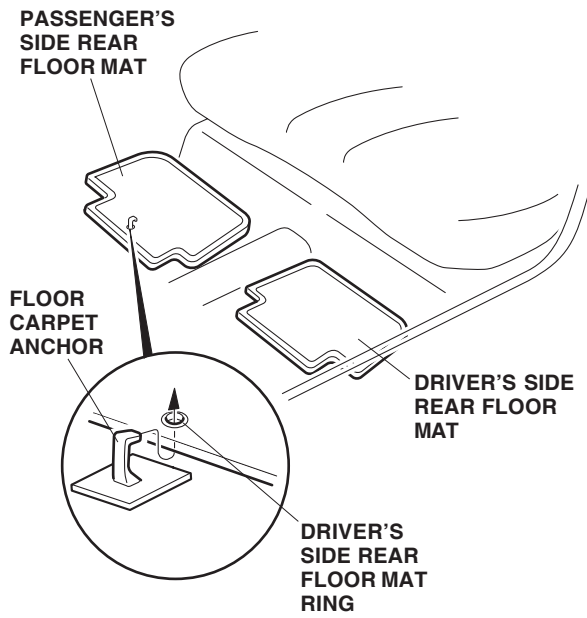
- Before installing, identify each floor mat.
- Remove the standard floor mats before installing these new floor mats.
- The floor mat anchors are required for the driver's side of the vehicle. These anchors prevent the driver's side front floor mat from sliding forward and interfering with the pedals.

1. Install the driver's side front floor mat by placing the rings in the floor mat around the two anchors on the floor carpet.



2. Install the passenger's side front floor mat on the floor carpet.

3. Install the driver's side rear floor mat on the floor carpet.



4. Install the passenger's side rear floor mat by placing the ring in the floor mat around the anchor on the floor carpet.