



# INSTALLATION INSTRUCTIONS

Accessory  
**SKI ATTACHMENT**  
 P/N 08L03-TA1-100B

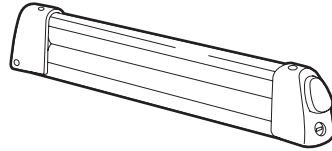
Application  
**ACCORD**  
 2- AND 4-DOOR

Publications No.  
**All 30667**  
 Issue Date  
**AUG 2005**

**Put this information in the glove box with the vehicle owner's manual.**

## PARTS LIST

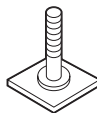
2 Ski attachments



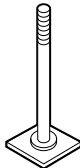
4 Knobs



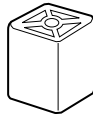
4 Short T-bolts (for removable rack)



4 Long T-bolts (not used)



4 Block spacers (not used)



Key



## TOOLS REQUIRED

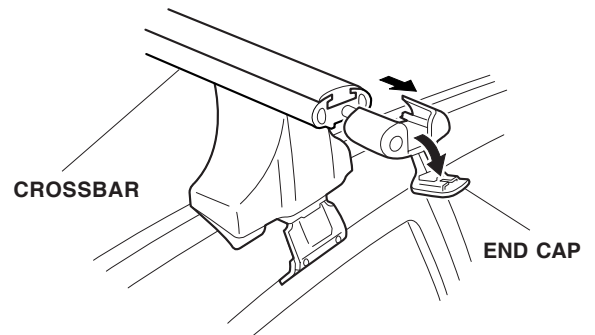
- Phillips screwdriver
- T30 Torx Bit
- Ratchet

## INSTALLATION

### NOTE:

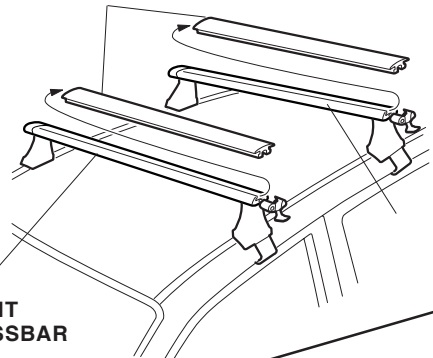
- The ski attachments are designed to be used exclusively with a Honda roof rack, which is sold separately. If the vehicle is not equipped with a roof rack, install the recommended roof rack before installing the ski attachment.
- The ski attachments may be installed with both on the driver's side, or with both on the passenger's side.

1. Pull out on the end cap to open the crossbar access cover for both crossbars.

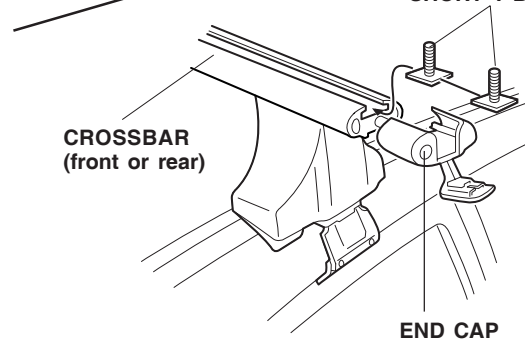


2. Remove the rubber moldings from the front and rear crossbars. Retain the rubber moldings to be installed later.
3. Open the end cap, then slide two short bolts into each crossbar (front and rear). Close the end cap.

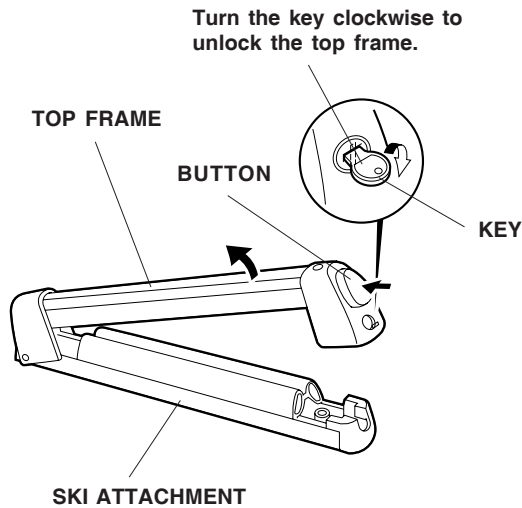
### RUBBER MOLDING



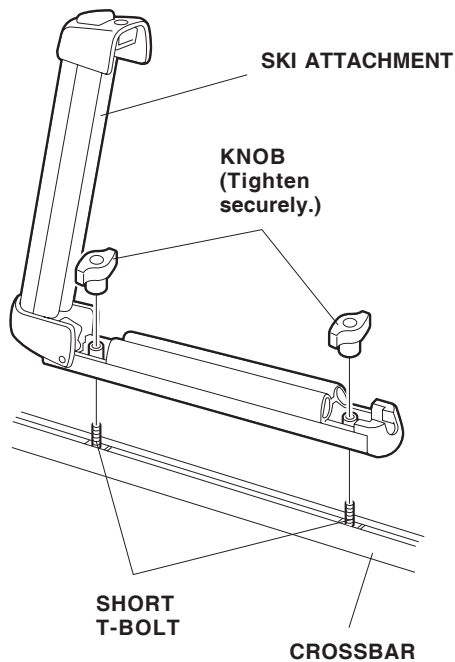
### REAR CROSSBAR SHORT T-BOLT



4. Insert the key, then turn it clockwise to unlock the front ski attachment. Press the button, then open the top frame completely.



5. Position the ski attachment onto the T-bolts, then install the two knobs. Tighten the knobs securely.

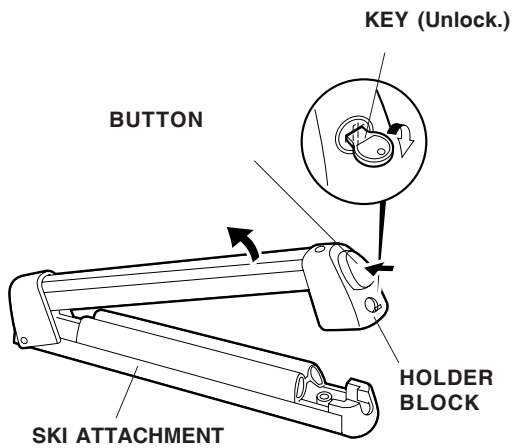


6. Repeat steps 4 thru 6 to install a ski attachment onto the rear crossbar.

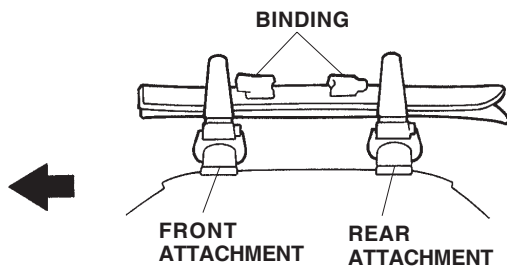
7. Close the top frame, and listen for it to "click" into position; then turn the key counterclockwise to lock the top frame.
8. Rock the ski attachments in all directions to make sure they are installed securely. If necessary, retighten the T-bolts or reinstall the ski attachments.
9. To prevent excess wind noise, cut each rubber molding, and install the cut pieces into the grooves in the crossbars.
10. Write down the key number to be put it in a safe place in case the key is lost or stolen.
11. Provide the key number, the key, and the rubber moldings removed in steps 2 and 8 to the customer.

## Loading the Skis on the Vehicle

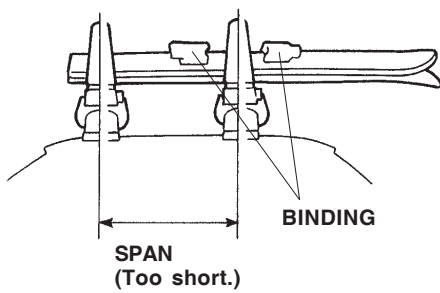
1. Insert the key, then turn it clockwise to unlock the top frame. Push the button, then raise the top frame completely.



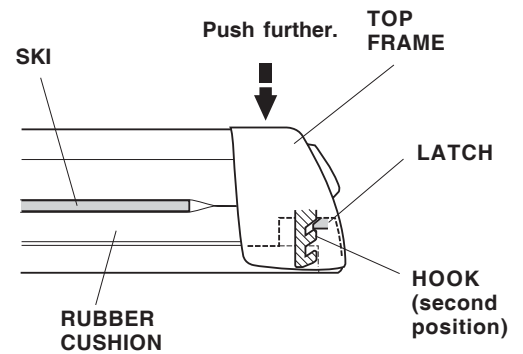
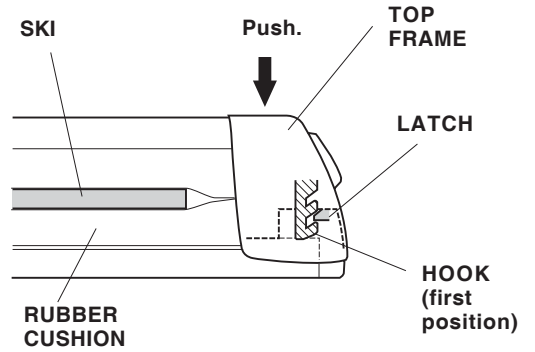
2. Position the skis on the attachment:
  - Load with the rear of the skis facing forward and the bindings between the front and rear attachments.



- If the bindings cannot be positioned between the front and rear attachments, install the skis with one of the bindings positioned behind the rear attachment.

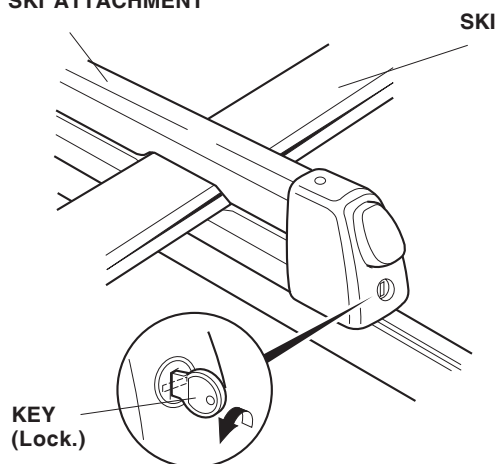


3. Close the top frame, and listen for it to "click" into position. Depending on the thickness of the ski, you may need to attach the hook in the second position.



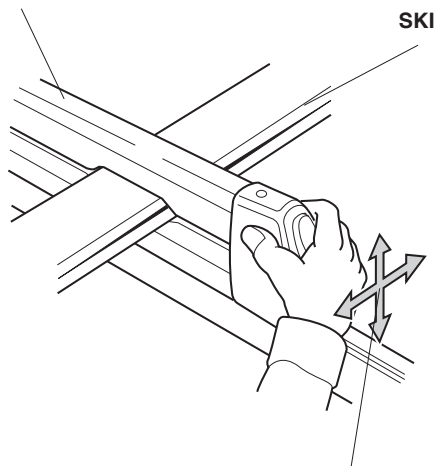
4. Lock the top frame by turning the key counterclockwise. Remove the key.

**SKI ATTACHMENT**



5. With the ski attached, rock the attachment in all directions to make sure it is installed securely. Adjust as necessary.

**SKI ATTACHMENT**



**Rock the ski attachment in all directions to make sure it is installed securely.**