



INSTALLATION INSTRUCTIONS

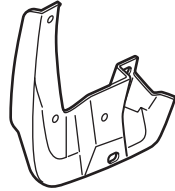
Accessory
SPLASH GUARD SET
P/N 08P00-TA0-100

Application
2008 ACCORD
4-DOOR

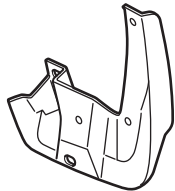
Publications No.
All 35369
Issue Date
AUG 2007

PARTS LIST

Right front splash guard



Left front splash guard



Right rear splash guard



Left rear splash guard



12 Self-tapping screws, 5 x 25 mm



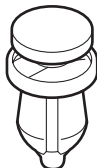
2 Spring nuts



2 Grommets



2 Clips



TOOL AND SUPPLIES REQUIRED

Stubby Phillips screwdriver

Pushpin

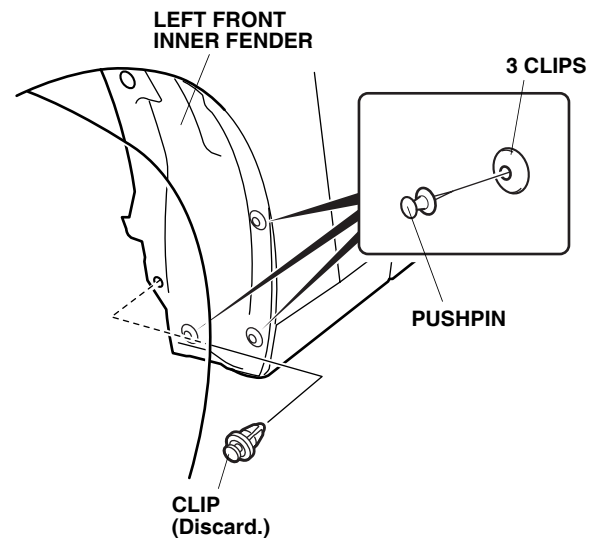
INSTALLATION

NOTE:

- These instructions show the left splash guard being installed. The same procedure applies to installing the right splash guard.
- Clean and wax the areas to be covered with a high quality paste wax.

Installing the Front Splash Guards

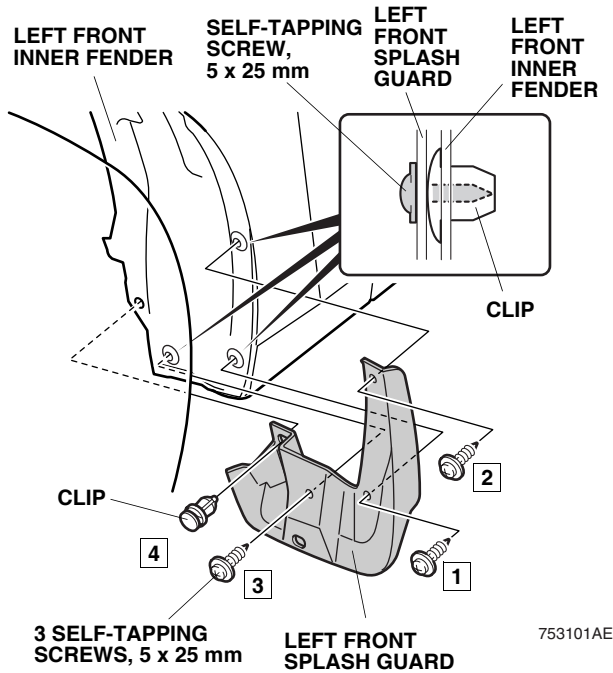
1. Turn the steering wheel all the way counterclockwise.
2. Remove the clip from the left front inner fender as shown.



7125560B

3. Using a pushpin, make small holes through the center of the three clips.

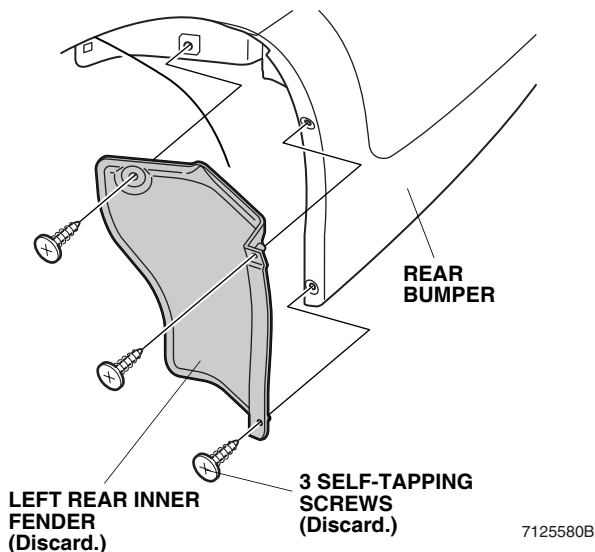
- Install the left front splash guard using the three 5 x 25 mm self-tapping screws, and one clip (1 → 2 → 3 → 4). Do not tighten the 5 x 25 mm self-tapping screws yet.



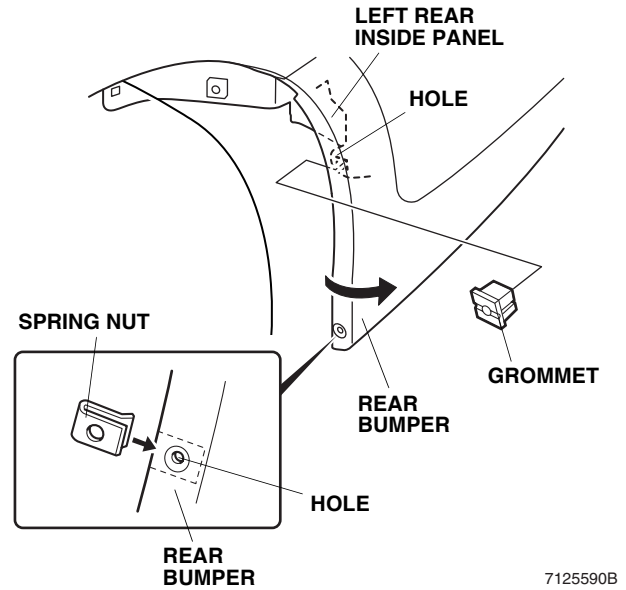
- While holding the left front splash guard against the left front inner fender, tighten the 5 x 25 mm self-tapping screws in the order shown.
- Turn the steering wheel all the way clockwise, and repeat steps 2 through 5 to install the right front splash guard.

Installing the Rear Splash Guards

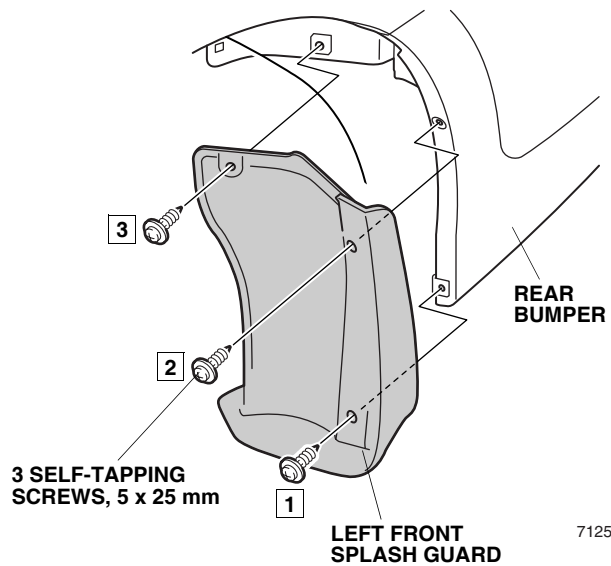
- Remove the three self-tapping screws from the left rear inner fender.
- Remove and discard the left rear inner fender.



- Install the grommet into the hole in the left rear inside panel. Slide the spring nut over the hole in the rear bumper lower hole.



- Install the left rear splash guard using the three self-tapping screws (1 → 2 → 3). Do not tighten the 5 x 25 mm self-tapping screws yet.



- While holding the left rear splash guard against the left rear bumper, tighten the 5 x 25 mm self-tapping screws in the order shown.
- Repeat steps 7 through 11 to install the right rear splash guard.