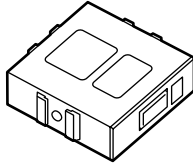
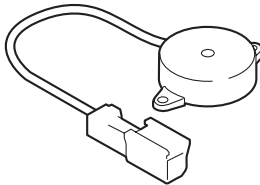


**PARTS LIST****Rear Back-up Sensor Attachment Kit  
P/N 08V67-TA0-100A**

Control unit



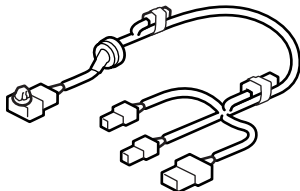
Beeper



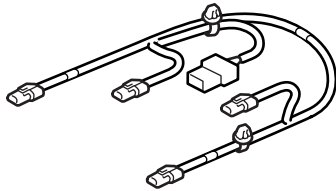
4 Sensor clips



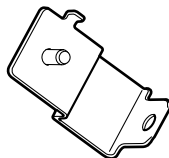
Back-up sensor harness



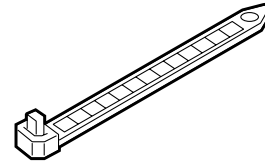
Back-up sensor subharness



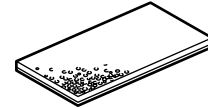
Control unit bracket



7 Wire ties



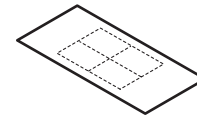
3 Urethane tapes



Flange nut



Fuse label



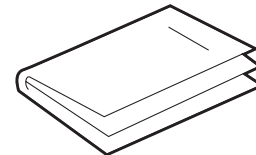
Connector clip



3 Harness tapes

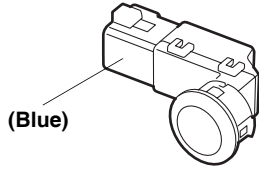


Accessory User's Information Manual

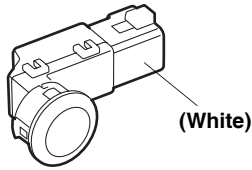


**Back-up Sensor Kit  
P/N 08V67-TA0-100K**

2 Center sensors



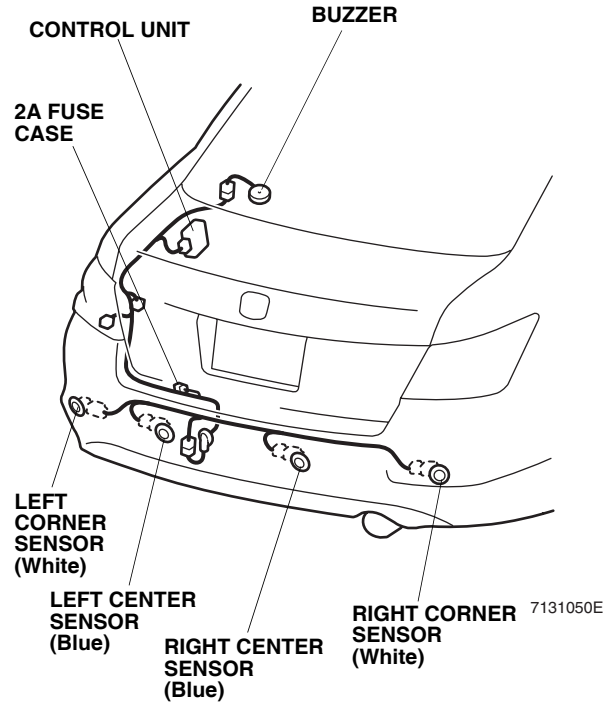
2 Corner sensors



**TOOLS AND SUPPLIES REQUIRED**

- Phillips screwdriver
- Flat-tip screwdriver
- Ratchet
- 8 mm and 10 mm Socket
- Pushpin
- Drill
- 3 mm Drill bit
- 24 mm and 26 mm Hole saw
- Ruler
- Eye protection (safety goggles, face shield, etc.)
- 10 mm Combination wrench
- File

**Illustration of the Back-up Sensor Installed on the Vehicle**



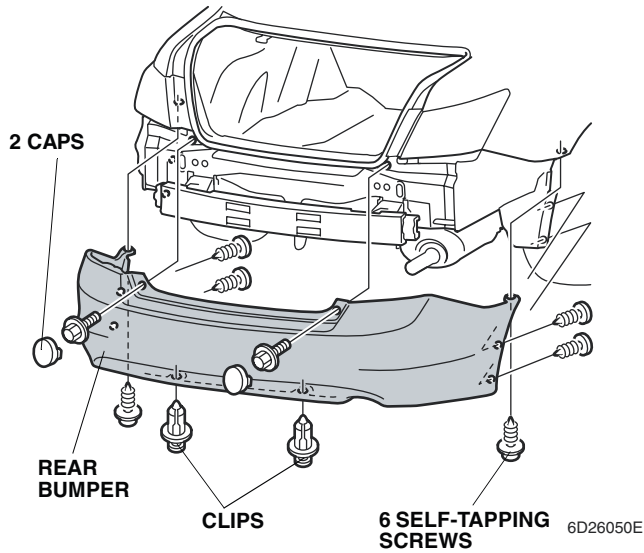
**INSTALLATION**

**Customer Information:** The information in this installation instruction is intended for use only by skilled technicians who have the proper tools, equipment, and training to correctly and safely add equipment to your vehicle. These procedures should not be attempted by “do-it-yourselfers.”

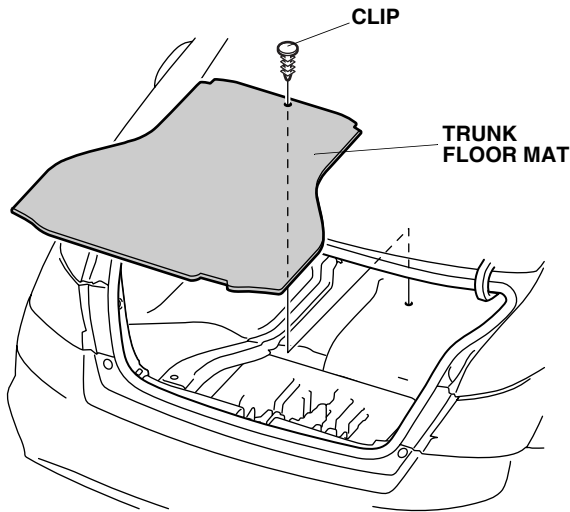
**NOTE:** When installing a back-up sensor and a trailer hitch, install the back-up sensor before installing the trailer hitch.

1. Make sure you have the anti-theft code for the radio and navigation system (if equipped), then write down the radio presets.
2. Disconnect the negative cable from the battery.

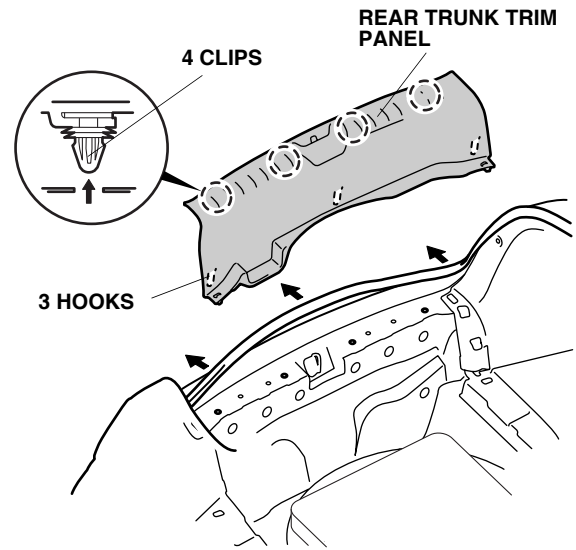
- Remove the two caps from the rear bumper, and remove the rear bumper (two bolts, six self-tapping screws, and two clips).  
NOTE: Have an assistant help you when removing and installing the rear bumper.



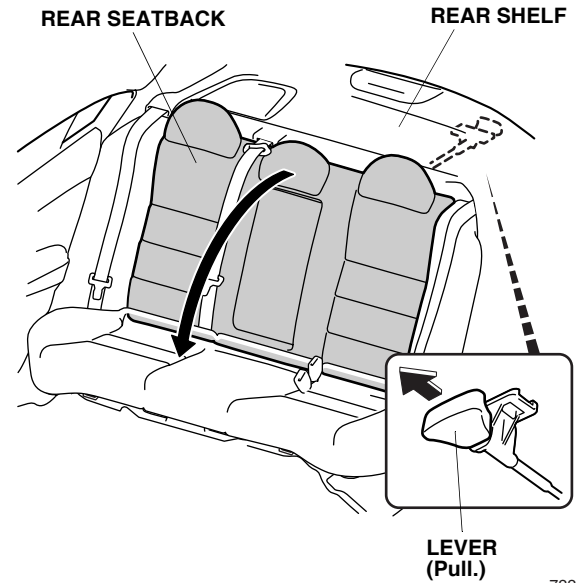
- Remove the trunk floor mat (one clip).



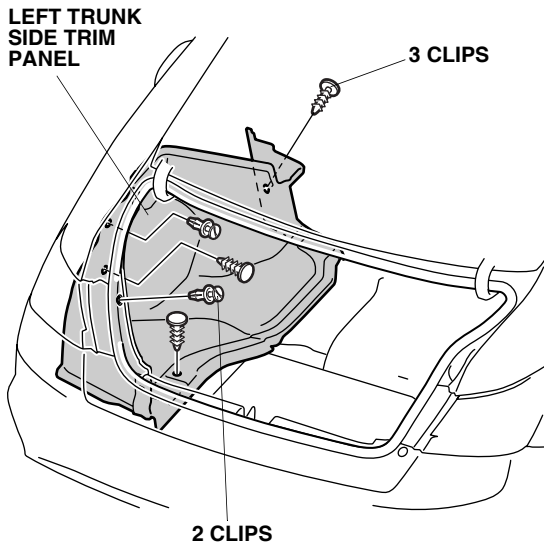
- Remove the rear trunk trim panel (four clips and three hooks).



- Fold down the rear seatback by pulling the lever under the rear shelf inside the trunk.

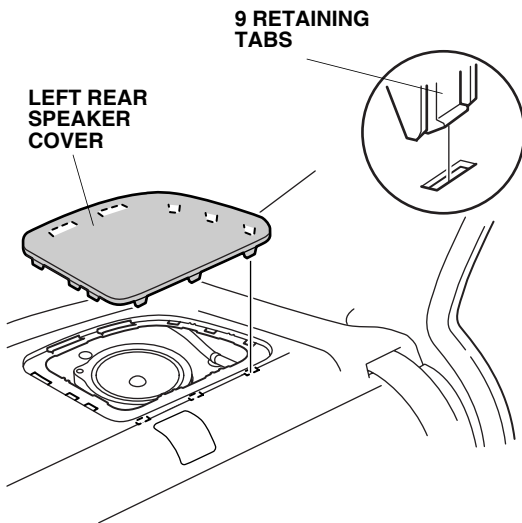


7. Remove the trunk left side trim panel (five clips).



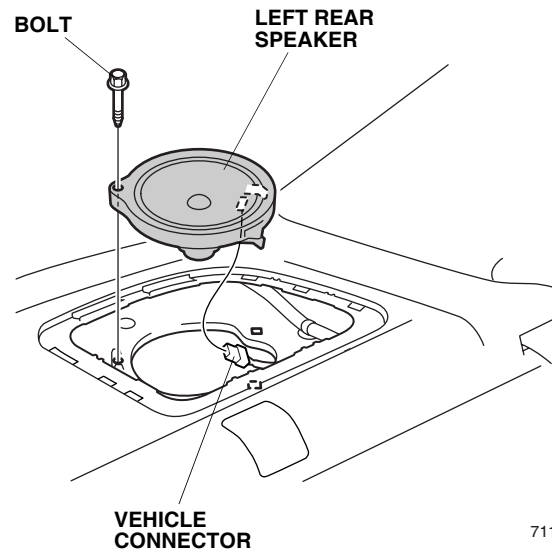
710908AE

8. Remove the left rear speaker cover (nine retaining tabs).



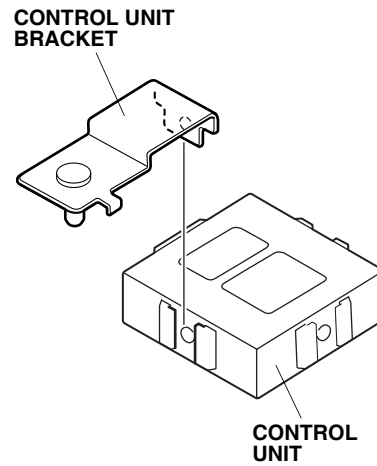
7115030E

9. Remove the left rear speaker (one bolt and disconnect the vehicle connector).



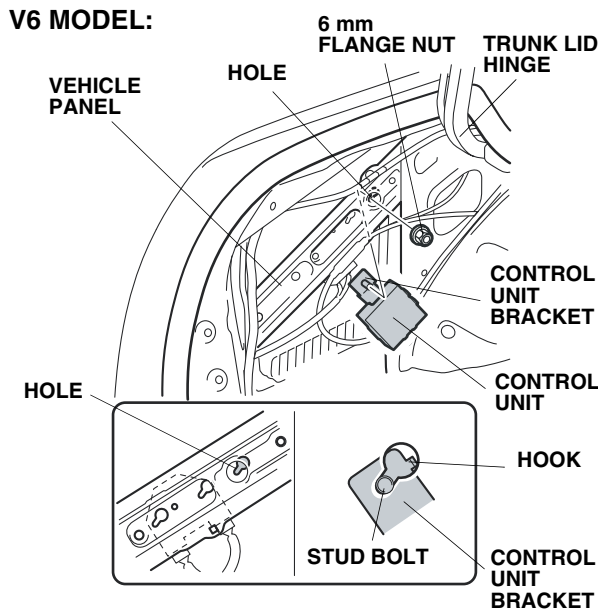
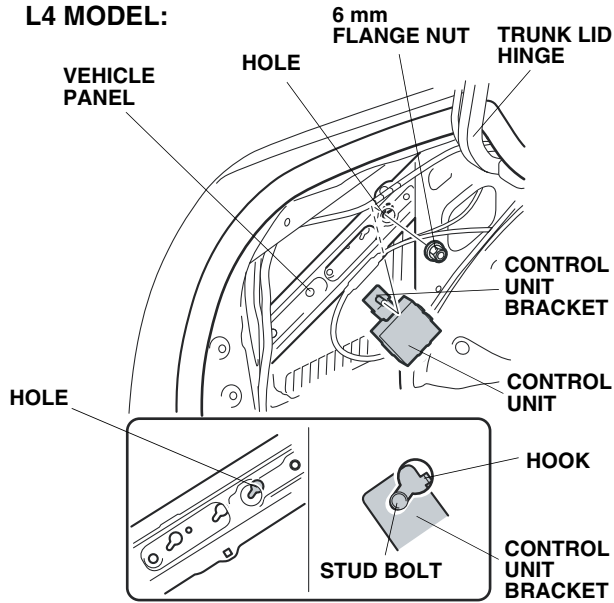
7115040E

10. Attach the control unit bracket to the control unit.

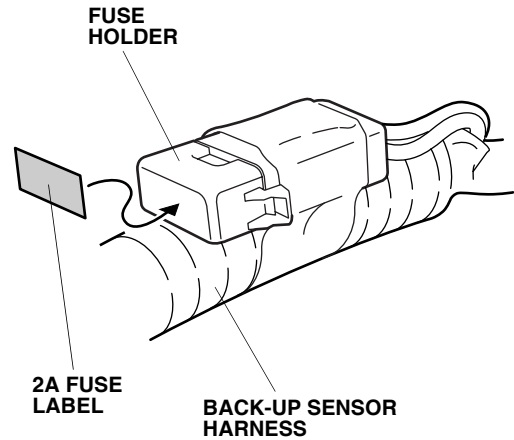


713106BE

- By hand, thread the 6 mm flange nut onto the control unit bracket stud. Insert the control unit bracket into the hole in the vehicle panel as shown. Secure the bracket to the vehicle panel.

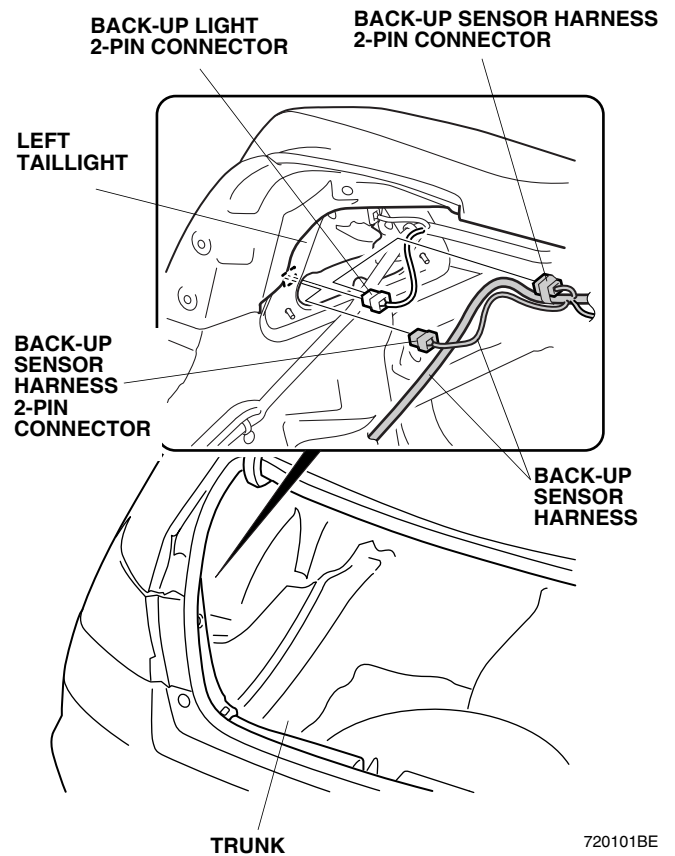


- Attach the 2A fuse label to the fuse holder on the back-up sensor harness.



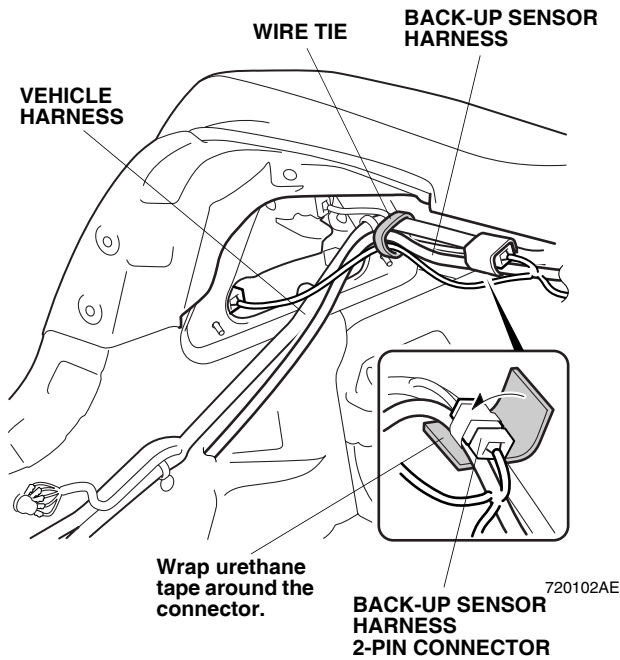
6216030B

- Disconnect the back-up light 2-pin connector from the left taillight, and plug it into the back-up sensor harness 2-pin connector. Plug the remaining back-up sensor harness 2-pin connector into the left taillight.

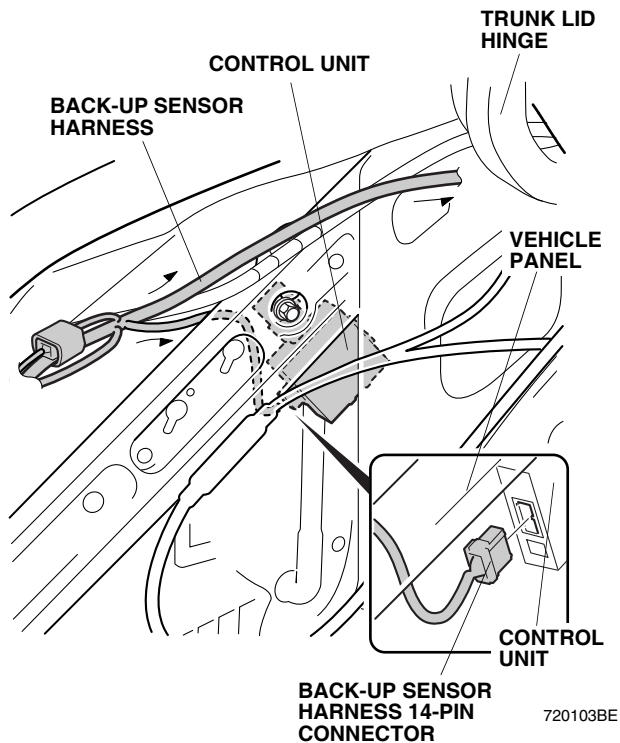


720101BE

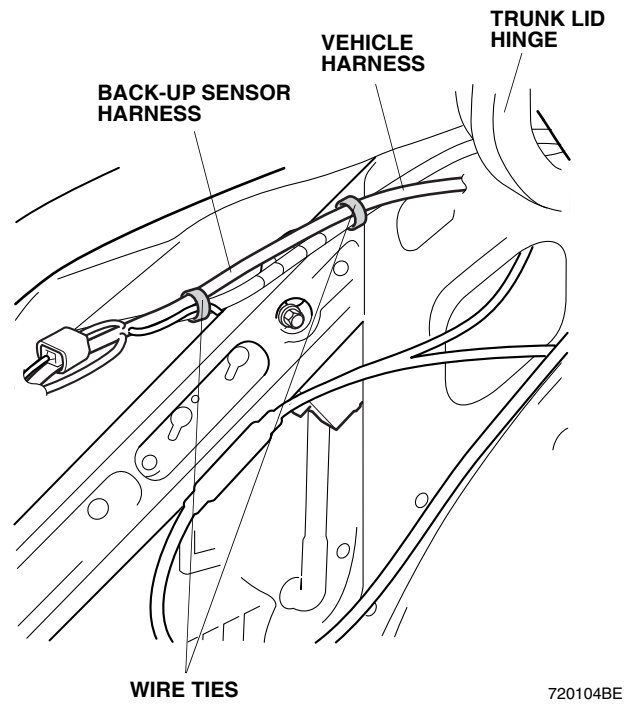
- Wrap one urethane tape around the back-up sensor harness 2-pin connector, and secure it to the vehicle harness with one wire tie.



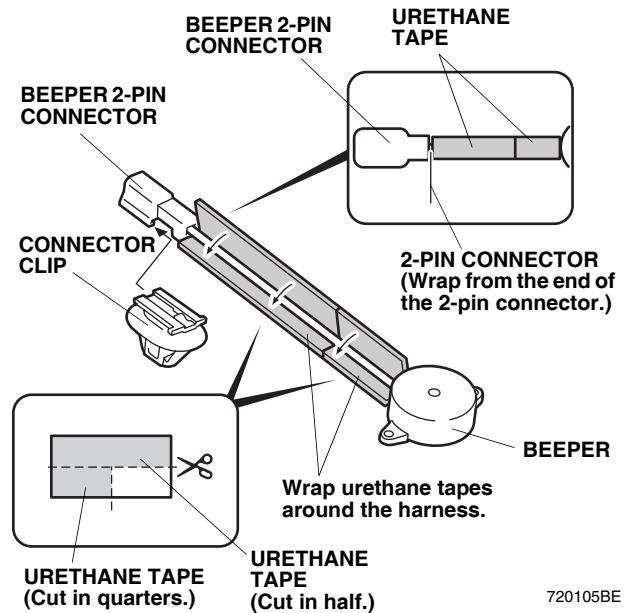
- Plug the back-up sensor harness 14-pin connector into the control unit, and route the harness forward along the vehicle harness.



- Secure the back-up harness to the vehicle harness with two wire ties.

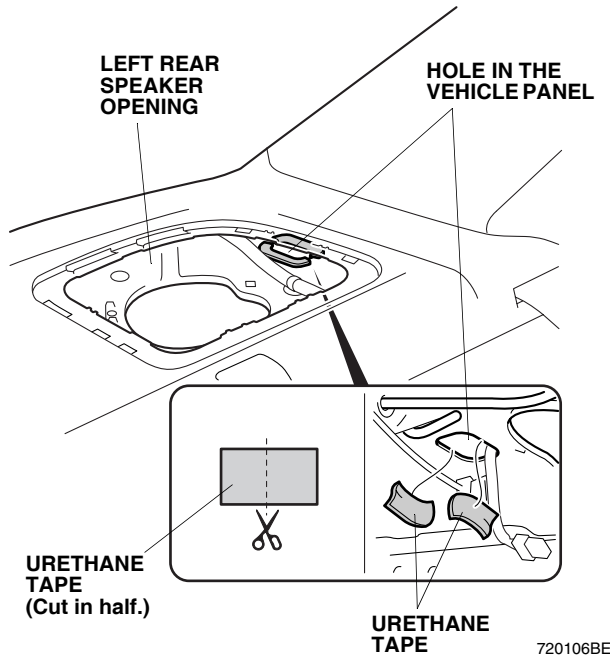


- Using scissors, cut one urethane tape in half, then cut one of the halves again.

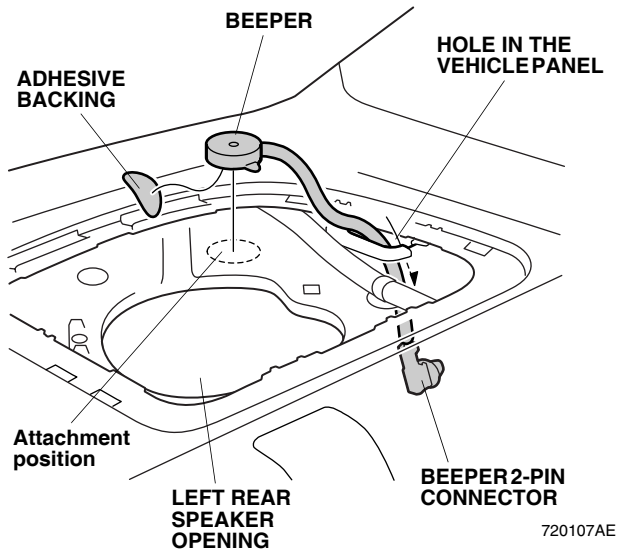


- Wrap two pieces of the cut urethane tape around the beeper harness.
- Attach the connector clip to the beeper 2-pin connector.

- Using scissors, cut one urethane tape in half.

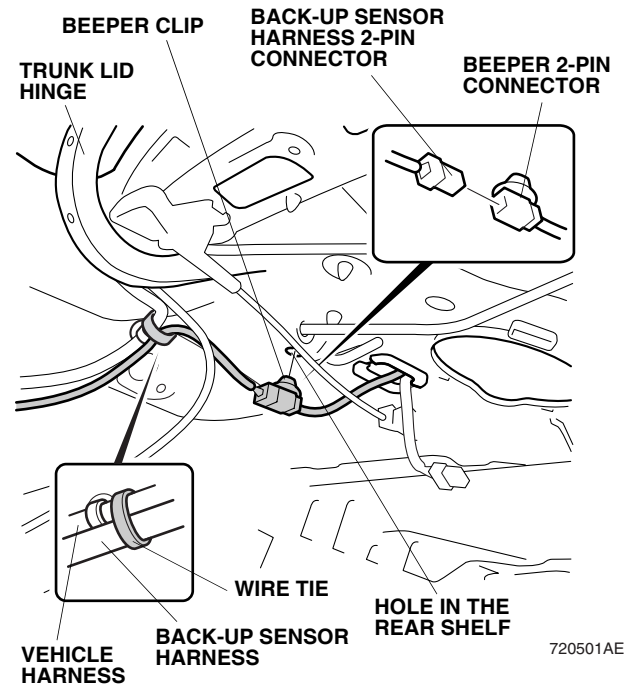


- Using isopropyl alcohol on a shop towel, clean the rear shelf where the urethane tape will attach. Attach the two pieces of urethane tape to the hole in the rear shelf.
- Using isopropyl alcohol on a shop towel, clean the area where the beeper will attach.



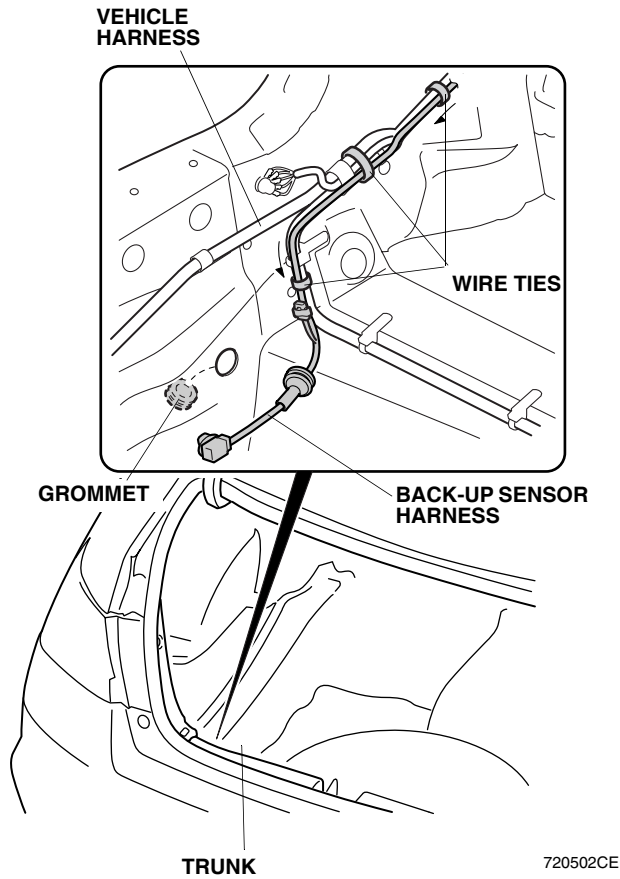
- Remove the adhesive backing from the beeper. Attach the beeper to the left rear speaker opening in the location shown.
- Route the beeper cord through the hole in the rear shelf.

- Plug the beeper harness 2-pin connector into the back-up sensor 2-pin connector, and attach the connector clip to the hole in the rear shelf.



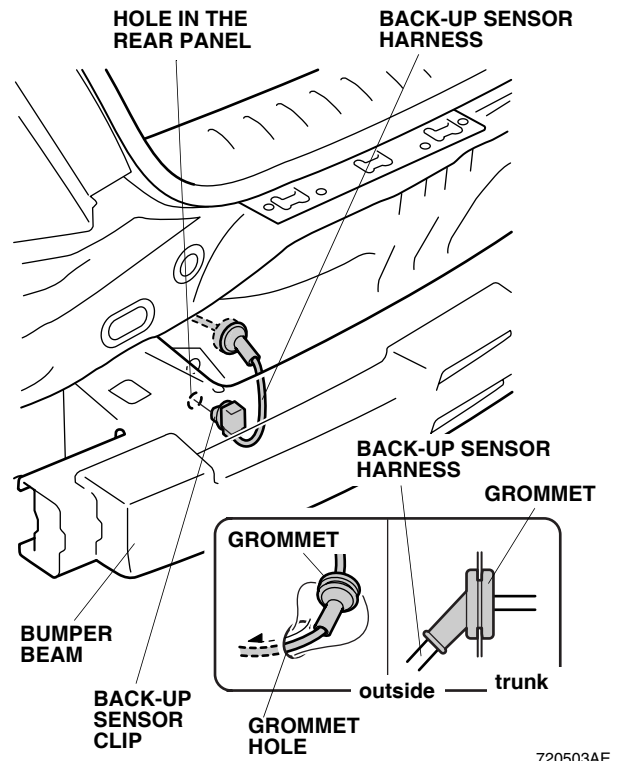
- Secure the back-up sensor harness to the vehicle harness using one wire tie.

27. Route the back-up sensor harness into the spare tire well, and secure it to the vehicle harness using three wire ties.



28. Locate and remove the rubber grommet from the rear panel.

29. Route the back-up sensor harness 8-pin connector through the hole in the rear panel, and seat the grommet in the direction shown.

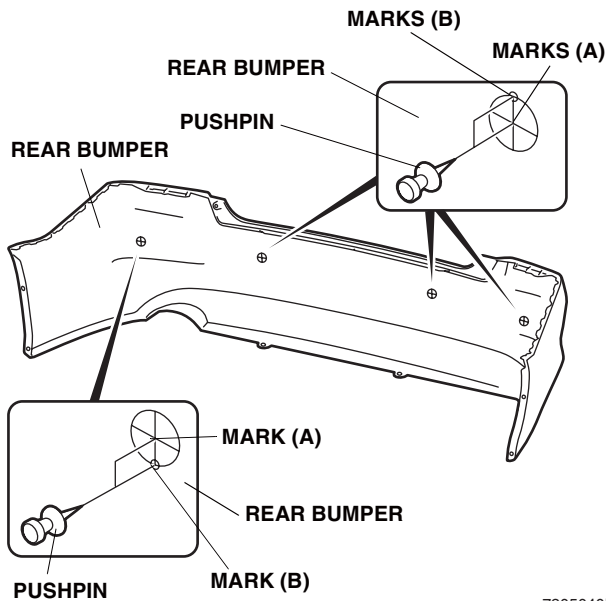


30. Attach the clip from the 8-pin connector into the hole in the rear panel.

31. Mark the inside of the rear bumper:

- Locate the three marks on the inside of the bumper at the center and left side.
- Using a pushpin, pierce the rear bumper at the top and the center of each of the three marks.
- Locate the marks on the inside rear of the bumper on the right side.
- Using a pushpin, pierce the rear bumper at the bottom and the center of the right mark.

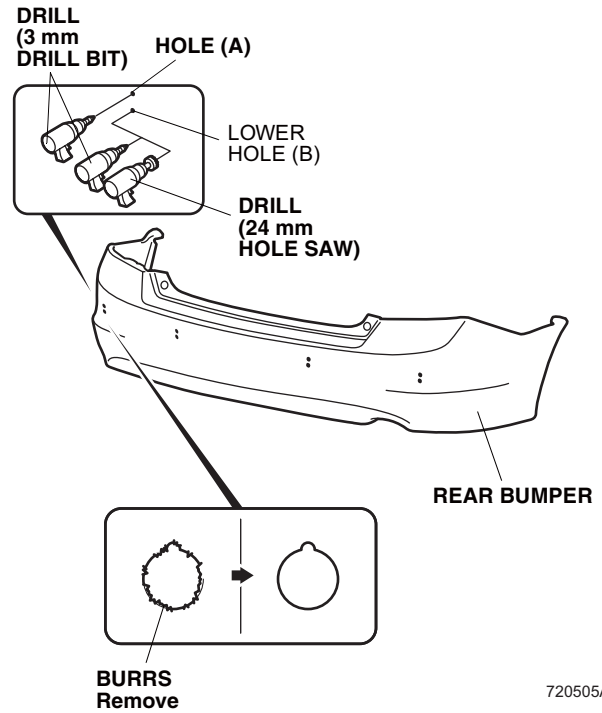
NOTE: There are several markings on the inside of the rear bumper. Before piercing the rear bumper, verify you have the correct location.



7205040E

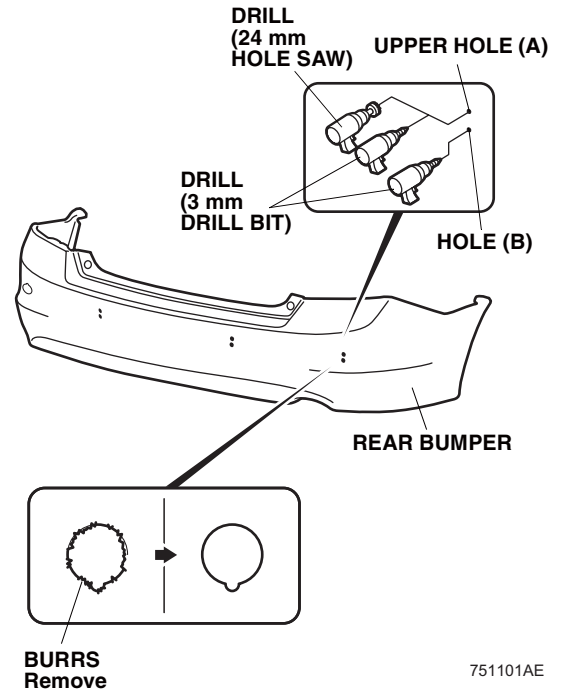
32. While wearing eye protection, drill the rear bumper:

- From the outside of the bumper, drill all eight pierced marks using a 3 mm drill bit.



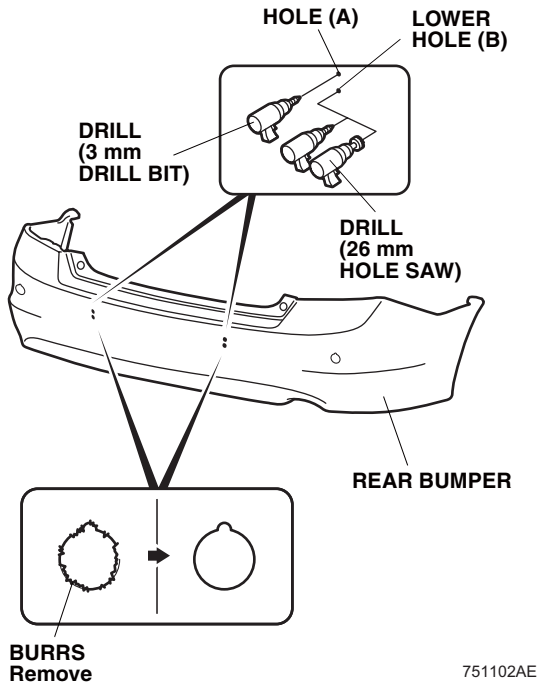
720505AE

33. Using a 24 mm hole saw, enlarge the outboard (right and left corner sensor) bumper holes. On the driver's side, drill the lower 3 mm hole. On the passenger's side, drill the upper 3 mm hole.

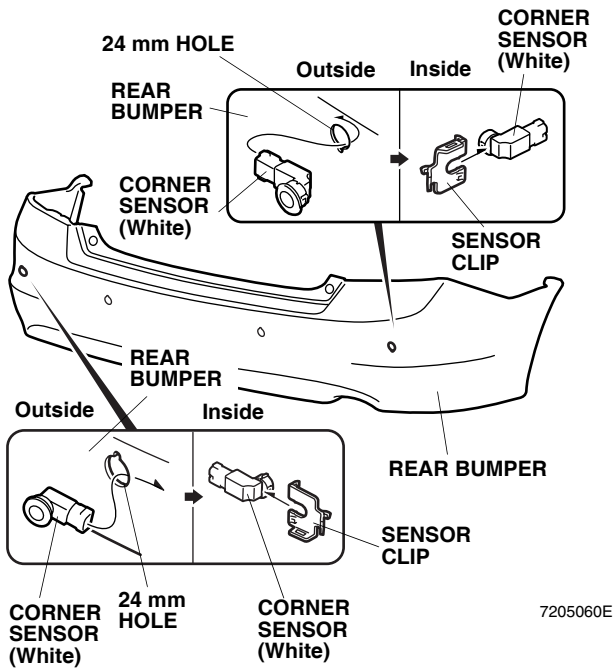


751101AE

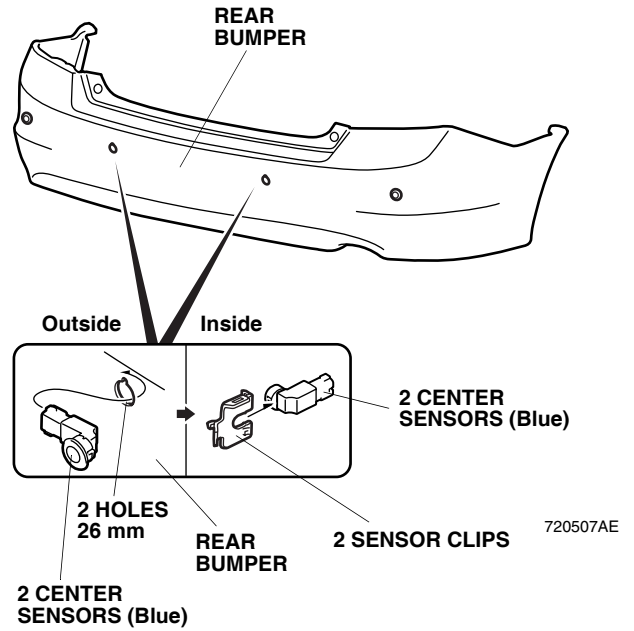
34. Using a 26 mm hole saw, enlarge the inboard (center sensor) bumper holes by drilling the lower 3 mm holes.



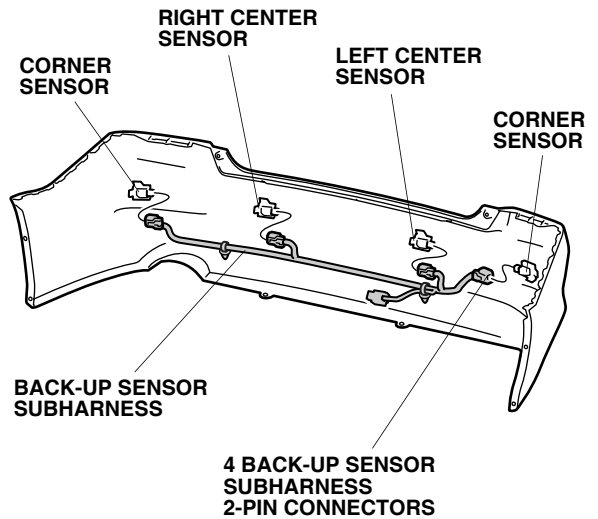
35. Using the sensor clips, install the two corner sensors into the 24 mm holes in the rear bumper. Note the direction and the pin location for each sensor.



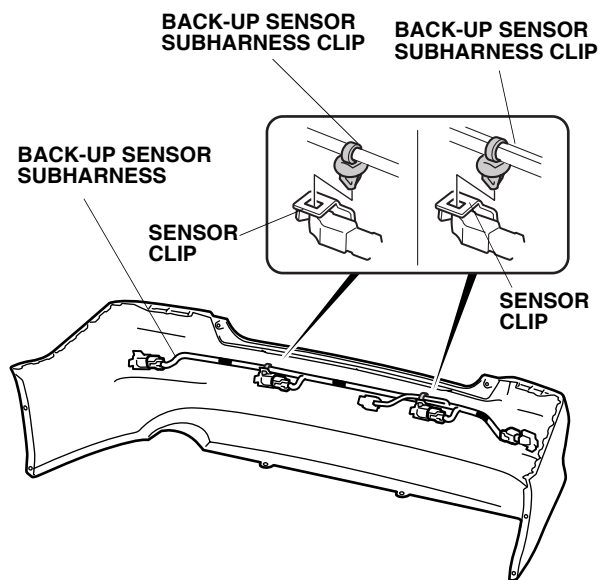
36. Using the sensor clips, install the two center sensors into the 26 mm holes in the rear bumper. Note the direction and the pin location for each sensor.



37. Plug in the four back-up sensor subharness 2-pin connectors into the backup sensors.

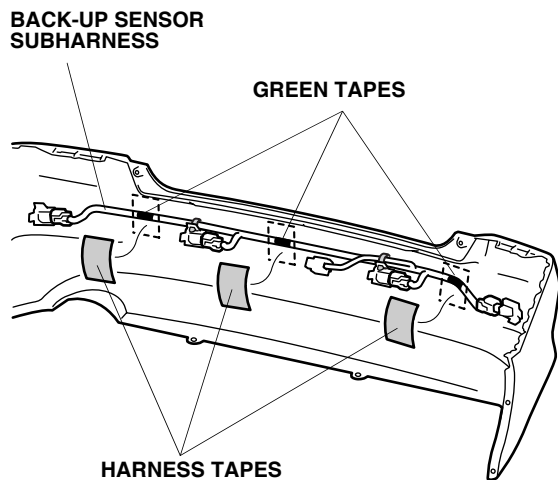


38. Install the two clips from the back-up sensor subharness into the holes of the left center sensor clip and the right center sensor clip.



720509AE

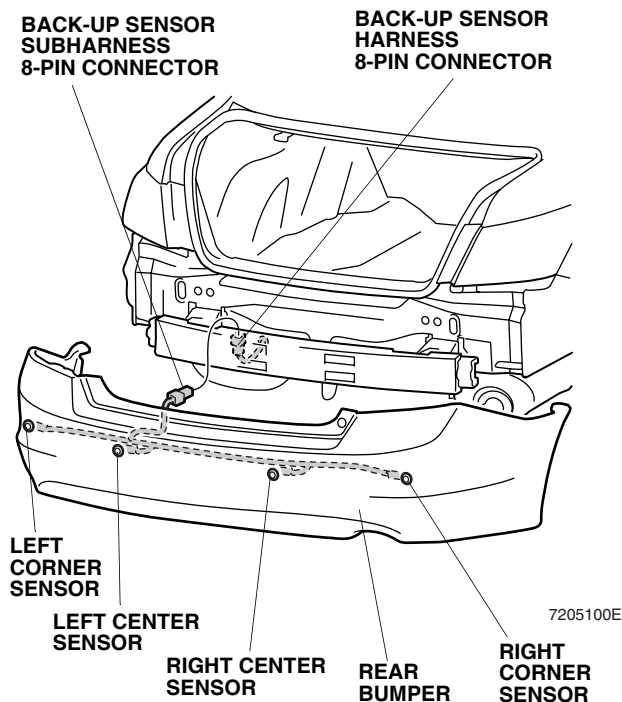
39. Using isopropyl alcohol on a shop towel, clean the bumper area where each harness tape will attach.



771110AB

40. At each green tape location, secure the subharness to the rear bumper with harness tape.

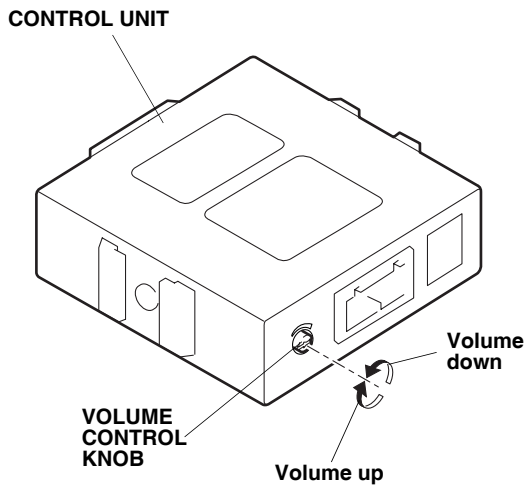
41. Plug the back-up sensor harness 8-pin connector into the back-up sensor subharness 8-pin connector, and reinstall the rear bumper.



42. Check that all wire harnesses and cables are routed properly and that all connectors are plugged in.
43. Reinstall all removed parts.
44. Reconnect the negative cable to the battery.
45. Check that the back-up sensors work properly as described in the Accessory User's Information Manual supplied.
46. Enter the anti-theft codes for the radio and navigation systems (if equipped), then enter the customer's radio presets.
47. Reset the clock (on models without navigation).

## Adjust the Volume Control

The factory setting is maximum volume. After confirming the operation, turn the volume control knob to the 'appropriate level.



771108AB