



# INSTALLATION INSTRUCTIONS

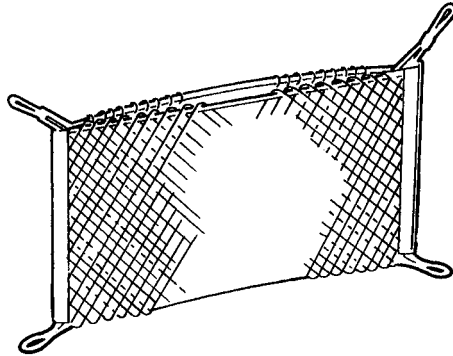
Accessory  
**CARGO NET**  
P/N 08L96-S84-100

Application  
**2001 ACCORD**  
**4-DOOR**

Publications No.  
**All 21660**  
Issue Date  
**AUG 2000**

## PARTS LIST

Cargo net



3 Self-tapping screws



3 Hooks

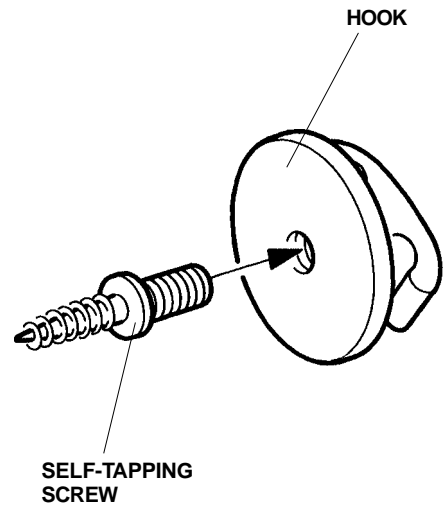


## TOOLS REQUIRED

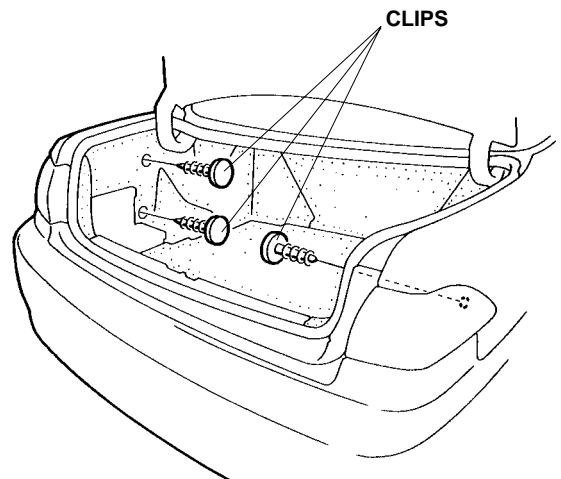
Pliers

## INSTALLATION

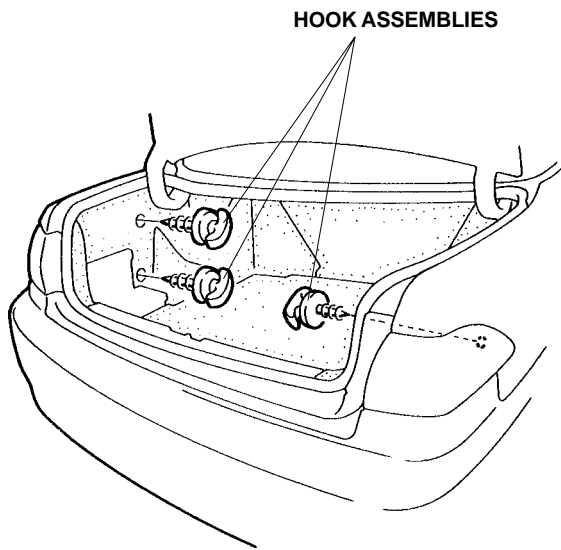
1. Install the self-tapping screws into the hooks.



2. Open the trunk lid, and remove the three clips from the trunk lining (two on the left side and one on the right side). Put the clips in the glove box so they can be reinstalled if the cargo net is removed.



3. Install the hook assemblies into the clip holes in the trunk lining.



4. Attach the cargo net to the hooks.

