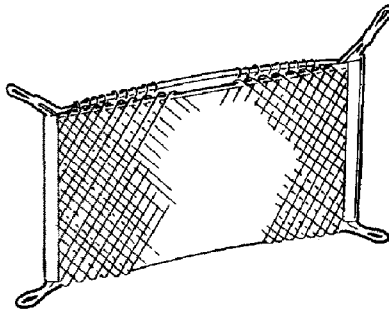


H HONDA INSTALLATION INSTRUCTIONS	Accessory	Application	Publications No.
	CARGO NET P/N 08L96-S84-100	2000 ACCORD 4-DOOR	All 20538
			Issue Date
			JULY 1999

PARTS LIST

Cargo net



3 Self-tapping screws



3 Hooks

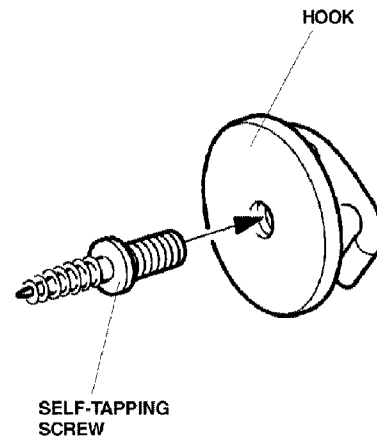


TOOLS REQUIRED

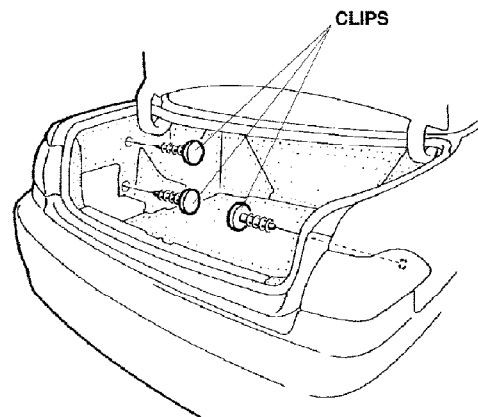
Pliers

INSTALLATION

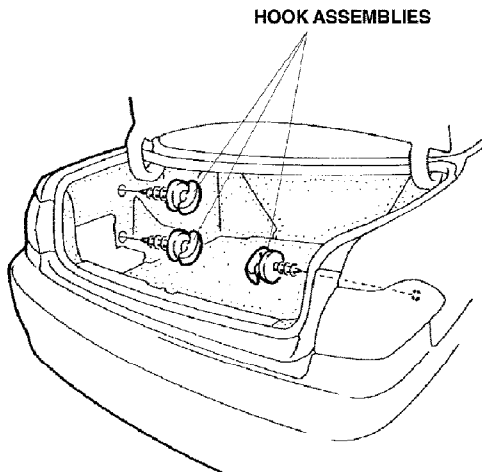
1. Install the self-tapping screws into the hooks.



2. Open the trunk lid, and remove the three clips from the trunk lining (two on the left side and one on the right side). Put the clips in the glove box so they can be reinstalled if the cargo net is removed.



3. Install the hook assemblies into the clip holes in the trunk lining.



4. Attach the cargo net to the hooks.

