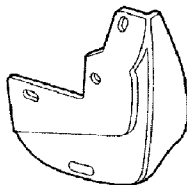
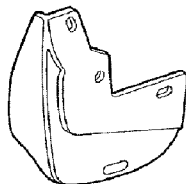
 HONDA INSTALLATION INSTRUCTIONS	Accessory	Application	Publications No.
	SPLASH GUARDS 2-DOOR: P/N 08P00-S82-100 4-DOOR: P/N 08P00-S84-100	2000 ACCORD 2- AND 4 -DOOR	All 20518
			Issue Date JULY 1999

PARTS LIST

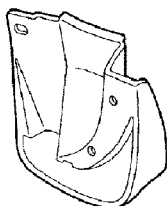
Left front splash guard



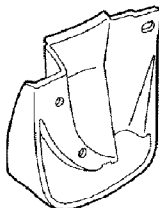
Right front splash guard



Left rear splash guard



Right rear splash guard



4 Spring nuts



2 Grommets



6 Self-tapping screws



TOOLS REQUIRED

Stubby Phillips screwdriver
Phillips screwdriver

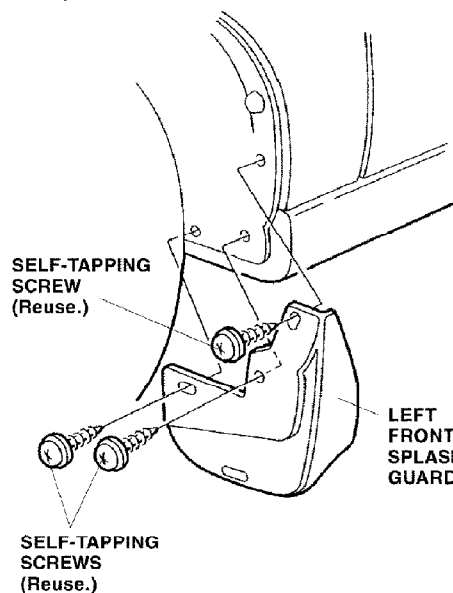
INSTALLATION

NOTE:

- In these instructions, the illustrations show the left splash guards being installed. The same procedure applies to installing the right splash guards.
- Make sure the area to be covered is clean and has been waxed with a high-quality paste wax.

Installing the Front Splash Guards

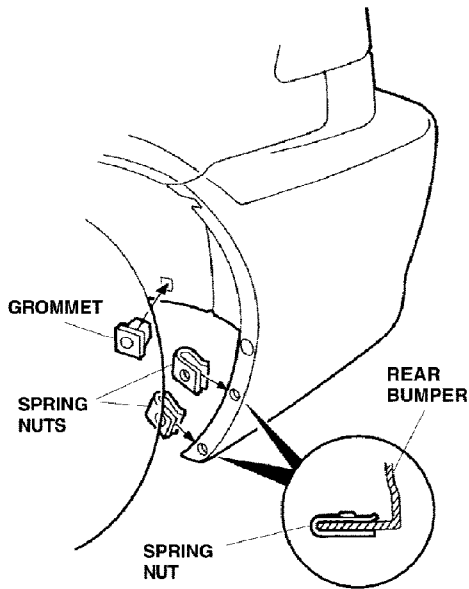
- Turn the steering wheel all the way counter-clockwise to provide access to the left front fenderwell.
- Remove the three self-tapping screws securing the inner fender to the fenderwell. Position the left splash guard on the fenderwell, and reinstall the three self-tapping screws. Tighten the screws securely.



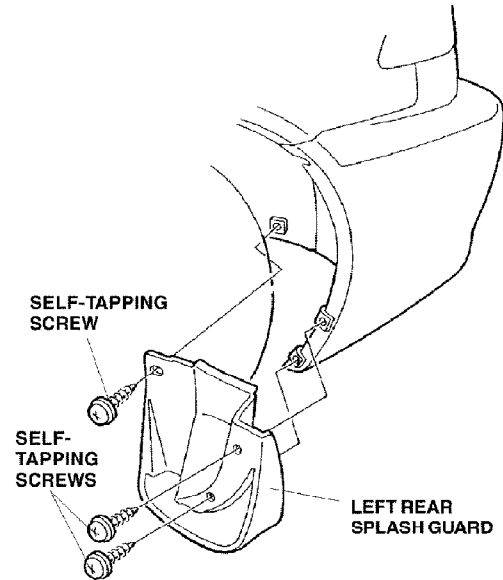
- Turn the steering wheel all the way clockwise, and repeat step 2 to install the right front splash guard.

Installing the Rear Splash Guards

- Slide two spring nuts over the dimpled areas of the rear bumper. Press a plastic grommet into the hole in the fenderwell.



- Position the left rear splash guard on the fender and bumper, and install three of the self-tapping screws provided. Tighten the screws securely.



- Repeat steps 4 and 5 to install the right rear splash guard.