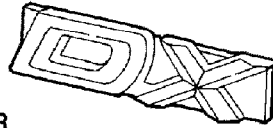
 HONDA INSTALLATION INSTRUCTIONS	Accessory	Application	Publications No.
	TRIM EMBLEM (DX, LX, EX, V6)	2000 ACCORD 2- AND 4-DOOR	All 20519
			Issue Date JULY 1999

PARTS LIST

Trim emblem



2-DOOR AND 4-DOOR

V6 Gold: P/N 08F20-S87-100

V6 Black Chrome: P/N 08F20-S87-100G

4-DOOR

DX Gold: P/N 08F20-S84-100F

DX Black Chrome: P/N 08F20-S84-100S

LX Gold: P/N 08F20-S84-100G

LX Black Chrome: P/N 08F20-S84-100P

EX Gold: P/N 08F20-S84-100H

EX Black Chrome: P/N 08F20-S84-100T

SUPPLIES REQUIRED

String

Isopropyl alcohol

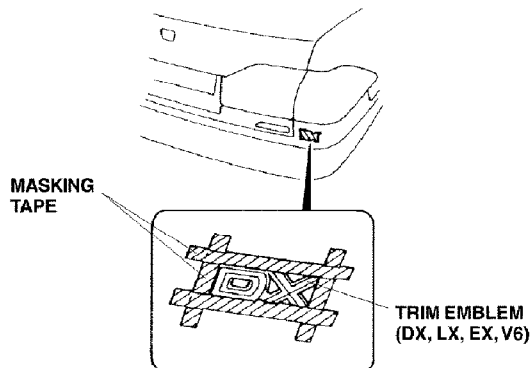
Shop towel

Masking tape

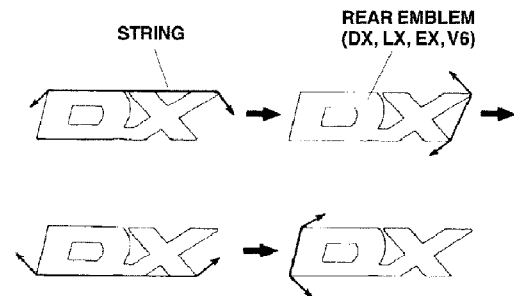
INSTALLATION

NOTE:

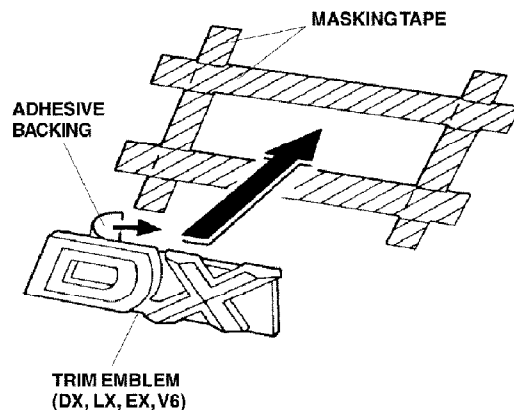
- This trim emblem should be installed only when the ambient air temperature is 60°F (15°C) or above.
 - To allow the adhesive to cure, do not wash the vehicle for 24 hours.
- To prevent damage to the body finish, attach masking tape around the original emblem.



- Remove the original emblem by cutting the outer edges with a piece of string.



- Using isopropyl alcohol, clean the area where the emblem was removed.
- Remove the adhesive backing from the trim emblem, and attach the emblem to the vehicle in the marked area.



- Remove the masking tape.

NOTE: After the emblem is installed, tell your customer not to wash the vehicle for 24 hours to give the adhesive time to "cure."