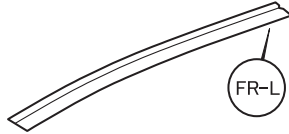
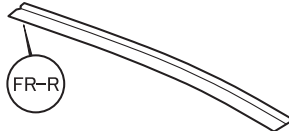


## PARTS LIST

Left front door edge film (marked FR-L)



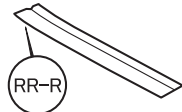
Right front door edge film (marked FR-R)



Left upper rear door edge film (marked RR-L)



Right upper rear door edge film (marked RR-R)



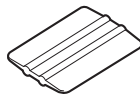
Left lower rear door edge film (marked RR-L)



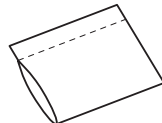
Right lower rear door edge film (marked RR-R)



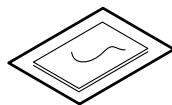
Applicator



Soft sleeve



2 Alcohol wipes



## TOOLS AND SUPPLIES REQUIRED

Lint-free shop towel

Spray bottle

3M Protective tape application solution (P/N 08712-0008)

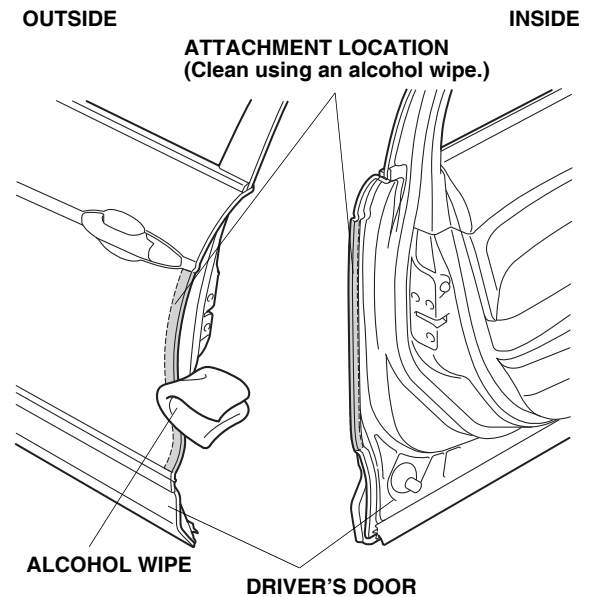
## INSTALLATION

### NOTE:

- If you are also installing body side moldings (sold separately), install the door edge film first.
- These instructions show the left door edge film being installed. The same procedure applies to installing the right door edge film.
- Identify each door edge film by referring to the identification marks.
- Be careful not to damage the body paint finish.
- This kit should be installed only if the ambient air temperature is 15°C (60°F) or above.
- To allow the adhesive to cure, do not wash the vehicle for 24 hours. Please advise the customer.

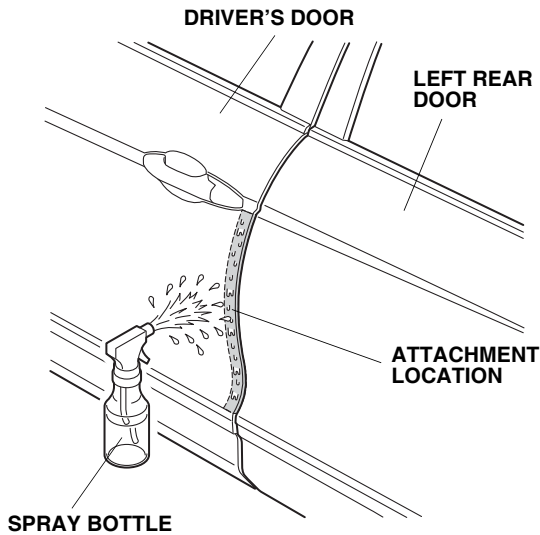
### Installing the Front Door Edge Film

1. Open the driver's door. Using an alcohol wipe, thoroughly clean the area where the left front door edge film will attach.

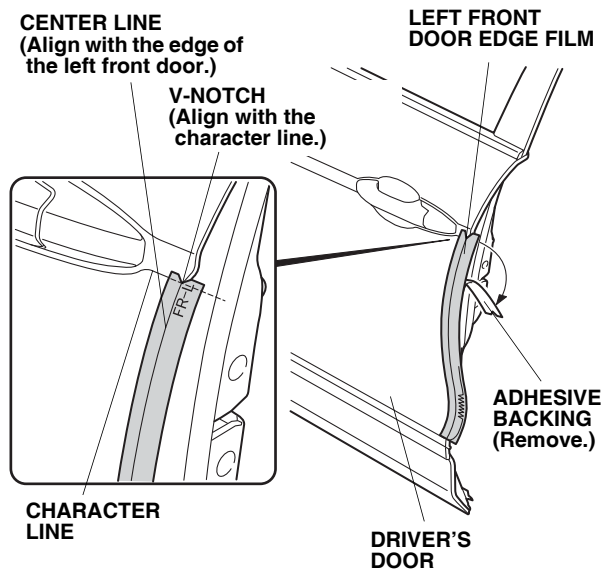


- Close the driver's door. Using a spray bottle with 3M protective tape application solution, spray the area where the left front door edge film will attach.

NOTE: Do not spray the inside edge of the door.

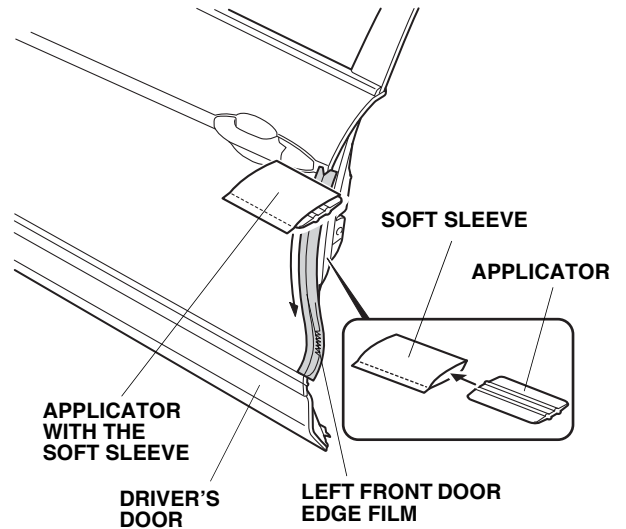


- Open the driver's door again. Peel back about 50 mm (2 in.) of adhesive backing from the left front door edge film. Align the V-notch in the door edge film with the end of the character line on the upper part of the door.

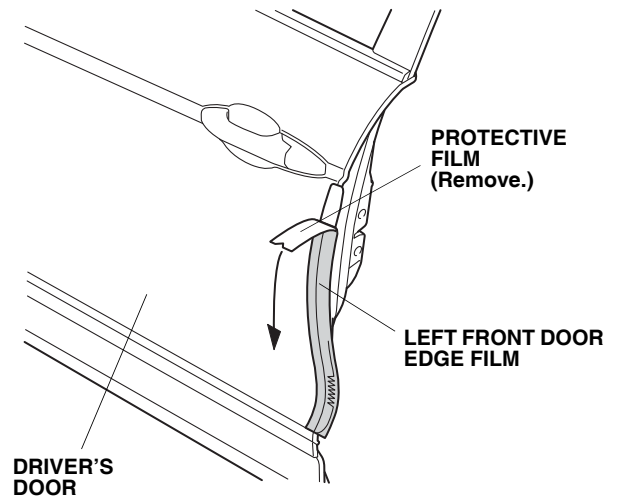


- Continue to remove the adhesive backing while you align the center line of the door edge film with the edge of the door.

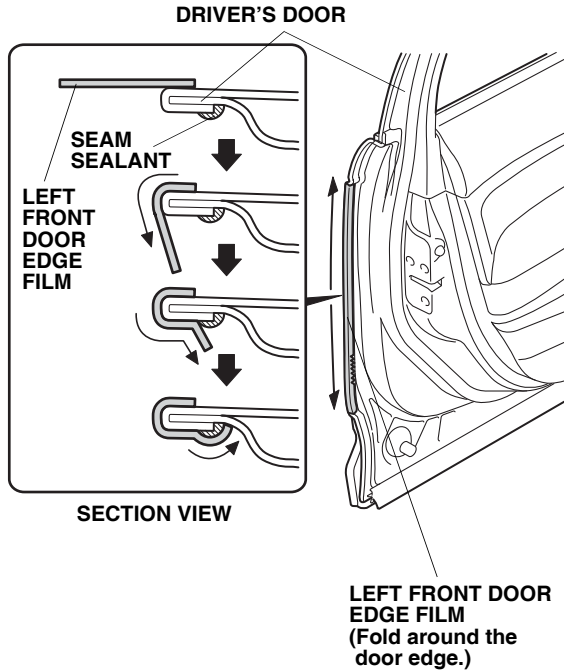
- Insert the applicator into the soft sleeve. Starting from the top and working downward, use the applicator with the soft sleeve to smooth out any bubbles in the film. To avoid lifting the film, move the applicator in only one direction.



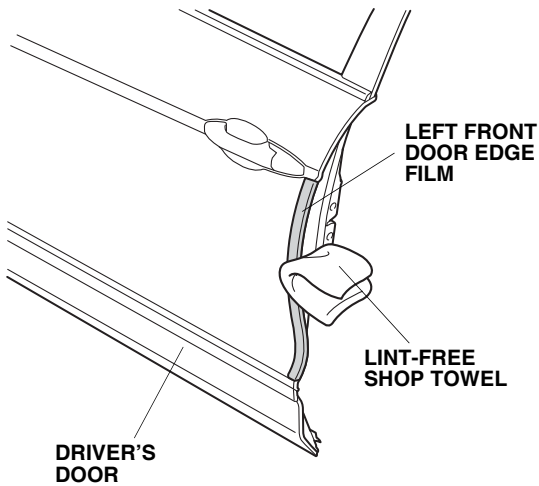
- When you are satisfied that the door film is firmly attached to the edge of the door, slowly remove the outer protective film.



- Starting from the middle of the door edge film and working outward, fold the left front door edge film around the edge of the driver's door using your fingers. Move your fingers in one direction. Attach the film over the seam sealant. Do not trim or damage the seam sealant.

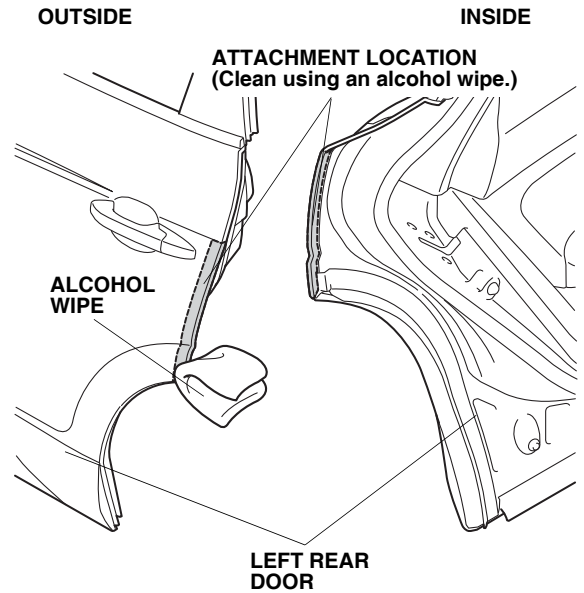


- Using a lint-free shop towel, wipe the 3M protective tape application solution from the door edge film. Allow the front door edge film to dry thoroughly.



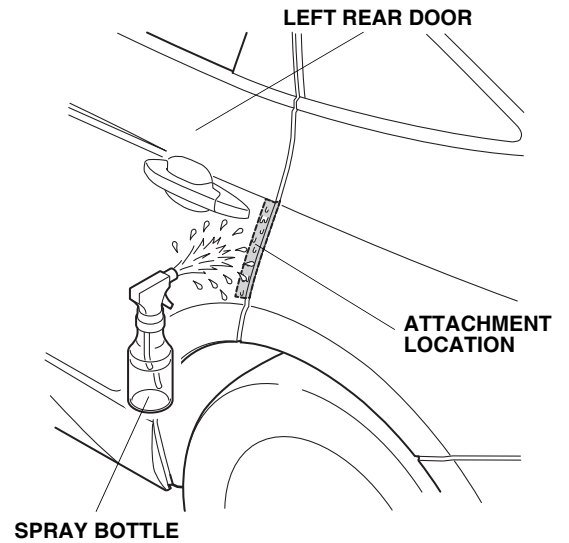
### Installing the Upper Rear Door Edge Film

- Open the left rear door. Using an alcohol swab, thoroughly clean the area where the left rear door edge film will attach.

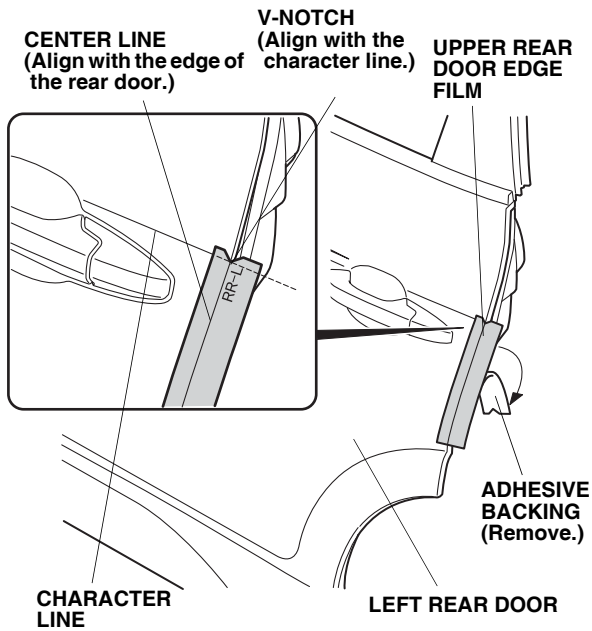


- Using a spray bottle with 3M protective tape application solution, spray the area where the upper rear door edge film will attach.

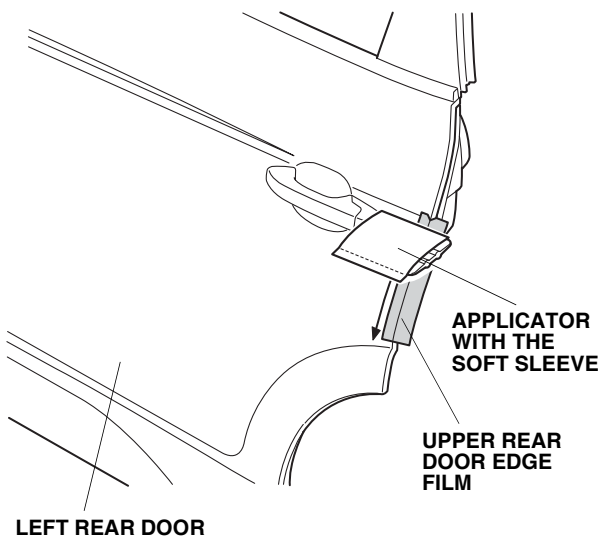
**NOTE:** Do not spray the inside edge of the door.



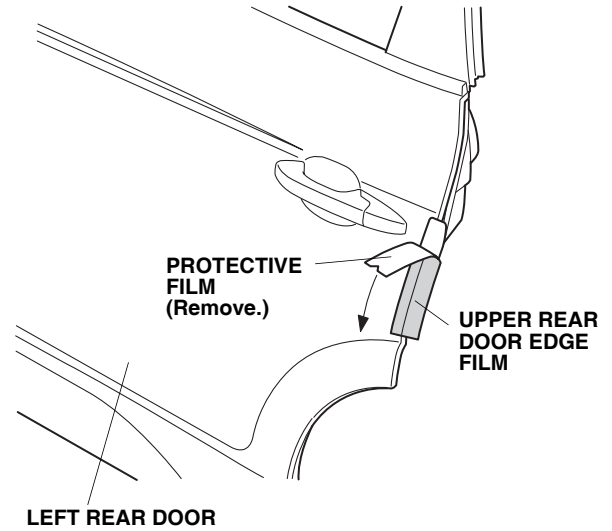
- Open the left rear door again. Peel back about 50 mm (2 in.) of adhesive backing from the upper rear door edge film. Align the V-notch in the door edge film with the end of the character line on the upper part of the rear door.



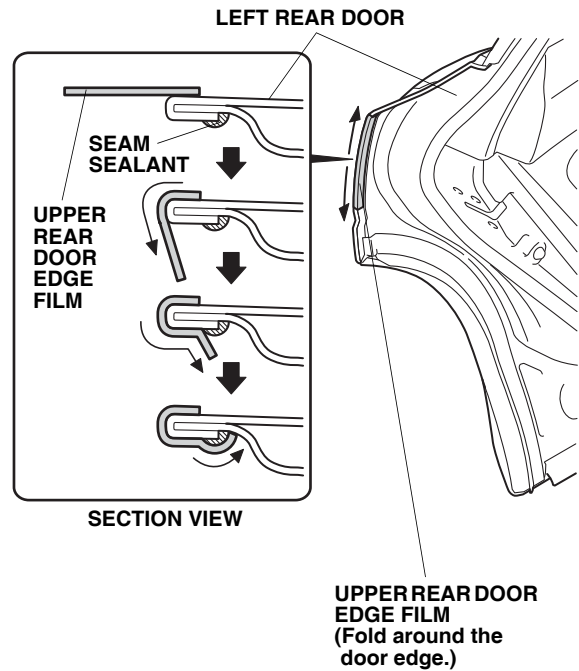
- Continue to remove the adhesive backing while you align the center line of the upper door edge film with the edge of the door.
- Starting from the top of the upper rear door edge film and working downward, use the applicator with the soft sleeve to smooth out any bubbles in the film. To avoid lifting the film, move the applicator in only one direction.



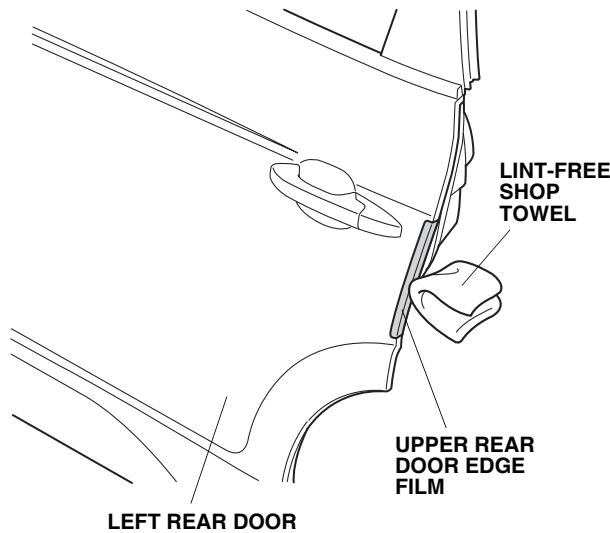
- When you are satisfied that the upper door film is firmly attached to the edge of the door, slowly remove the outer protective film.



- Starting from the middle of the upper door edge film and working outward, fold the upper rear door edge film around the door edge using your fingers. Move your fingers in one direction. Attach the film over the seam sealant. Do not trim or damage the seam sealant.

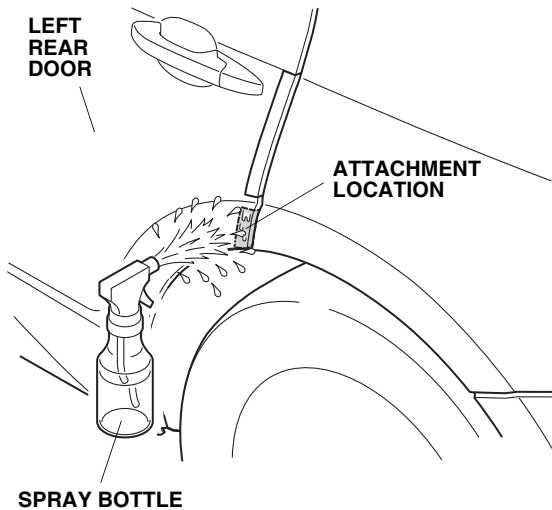


- Using a lint-free shop towel, wipe the 3M protective tape application solution from the upper rear door edge film. Allow the upper rear door edge film to dry thoroughly.

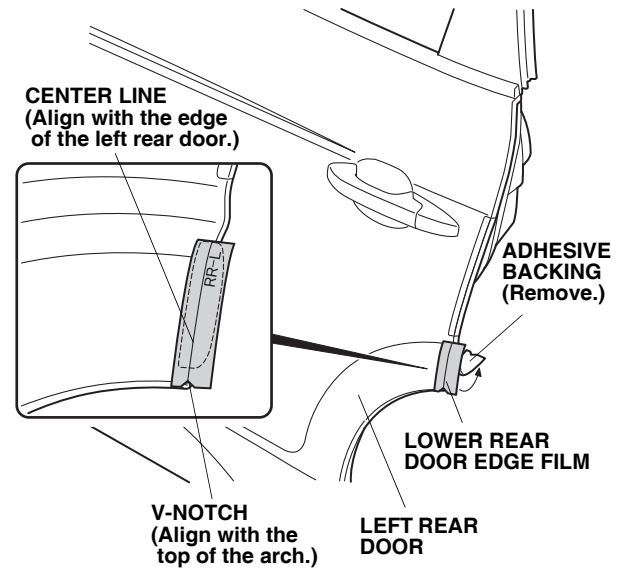


### Installing the Lower Rear Door Edge Film

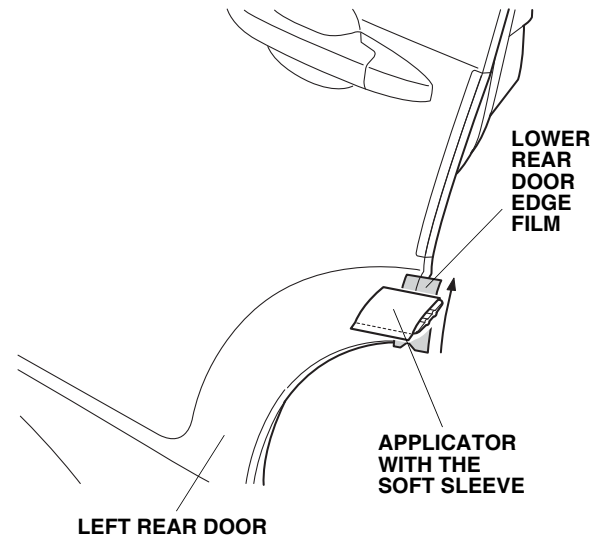
- If necessary, use an alcohol swab to clean the area where the lower rear door edge film will attach.
  - Close the left rear door. Using a spray bottle with 3M protective tape application solution, spray the area where the lower rear door edge film will attach.
- NOTE: Do not spray the inside edge of the door.



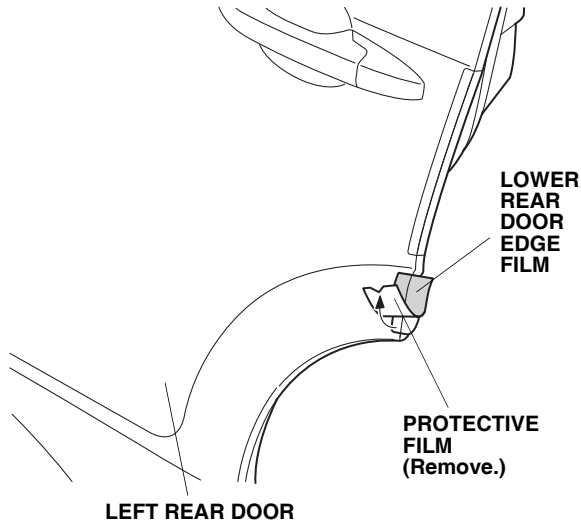
- Open the left rear door. Peel back about 25 mm (1 in.) of adhesive backing from the lower rear door edge film. Align the V-notch with the top of the arch in the rear door.



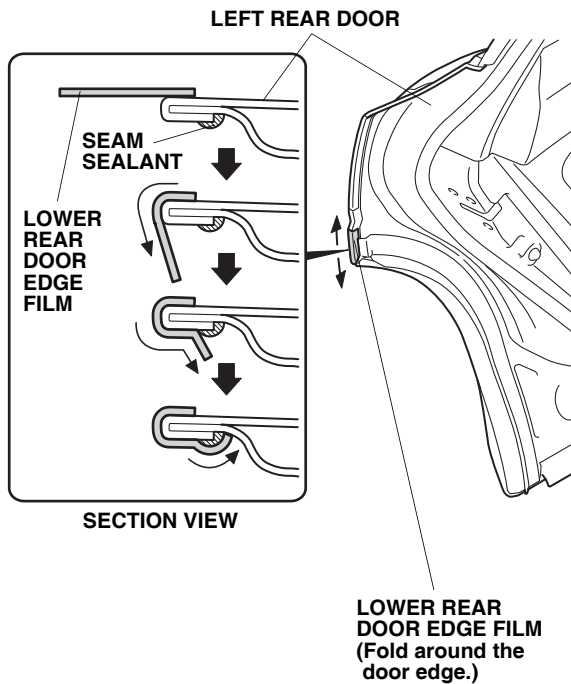
- Continue to remove the adhesive backing while you align the center line of the lower rear door edge film with the edge of the door.
- Starting from the bottom and working upward, use the applicator with the soft sleeve to smooth out any bubbles in the film. To avoid lifting the film, move the applicator in only one direction.



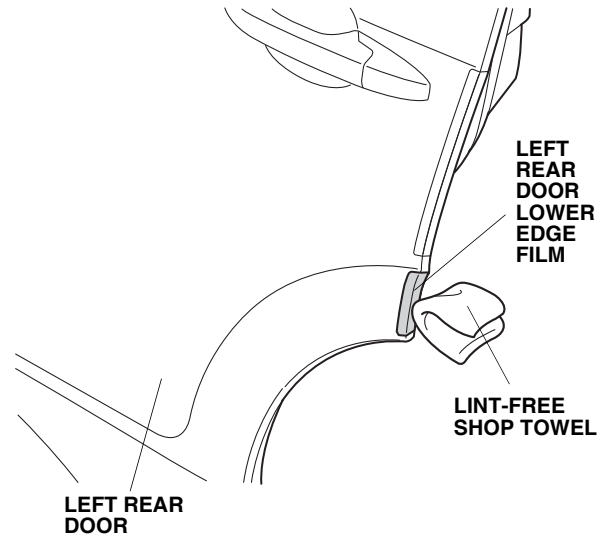
22. When you are satisfied that the lower door film is firmly attached to the edge of the door, slowly remove the outer protective film.



23. Starting from the middle of the lower door edge film and working outward, fold the door film around the edge using your fingers. Move your fingers in one direction. Attach the film over the seam sealant. Do not trim or damage the seam sealant.



24. Using a lint-free shop towel, wipe the 3M protective tape application solution from the lower rear door edge film. Allow the lower rear door edge film to dry thoroughly.



25. Repeat steps 1 thru 24 to install the right door edge film on the right side of the vehicle.