



INSTALLATION INSTRUCTIONS

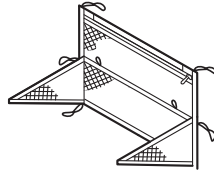
Accessory
ADVANCED CARGO NET
P/N 08L96-TP6-100

Application
2010 ACCORD CROSSTOUR

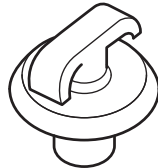
Publications No.
All 41940
Issue Date
NOV 2009

PARTS LIST

Cargo net



2 Anchors



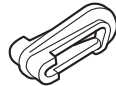
2 Stud bolts



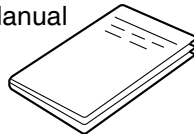
2 Rivet nuts



6 Snaps



Accessory User's Information Manual



TOOLS AND SUPPLIES REQUIRED

Phillips screwdriver

5 mm Hex wrench

19 mm Wrench

Pushpin

Drill

3 mm, 7 mm, and 11 mm Drill bits

File

Eye protection (face shield, safety goggles, etc.)

6 mm Rivet Nut Tool (T/N 07AAE-000A100)

Shop towel

Ratchet

10 mm Socket

Plastic Trim Tool (T/N SILTRIMTL10)

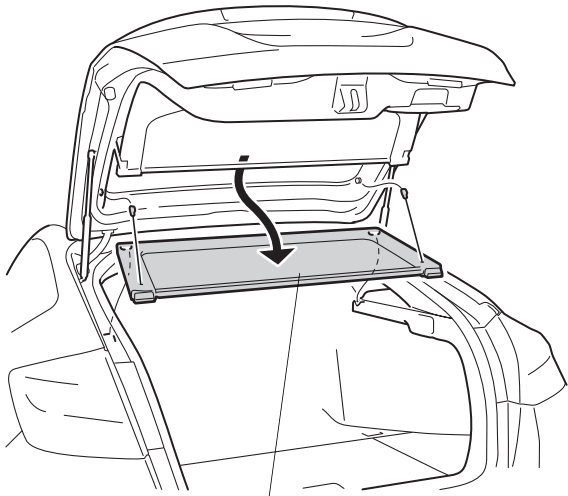
Empty box

INSTALLATION

Customer Information: The information in this installation instruction is intended for use only by skilled technicians who have the proper tools, equipment, and training to correctly and safely add equipment to your vehicle. These procedures should not be attempted by "do-it-yourselfers."

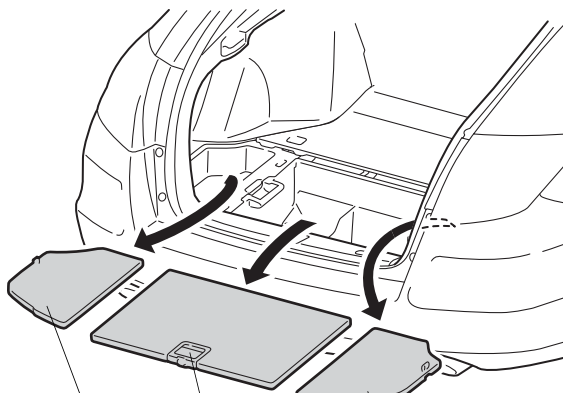
NOTE: Be careful not to damage the body.

1. If equipped, remove the rear shelf.



REAR SHELF
(if equipped)

2. Remove the rear cargo floor lid, left cargo floor lid, and right cargo floor lid.

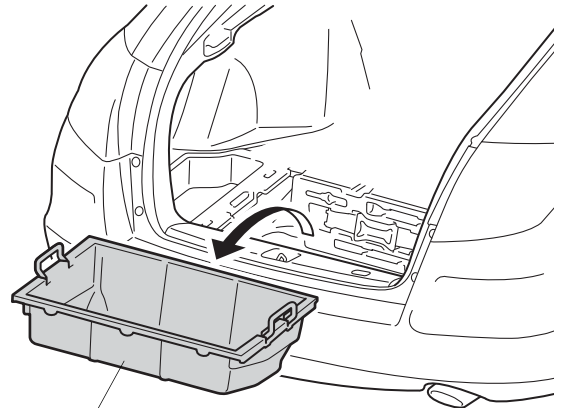


LEFT CARGO FLOOR LID

REAR CARGO FLOOR LID

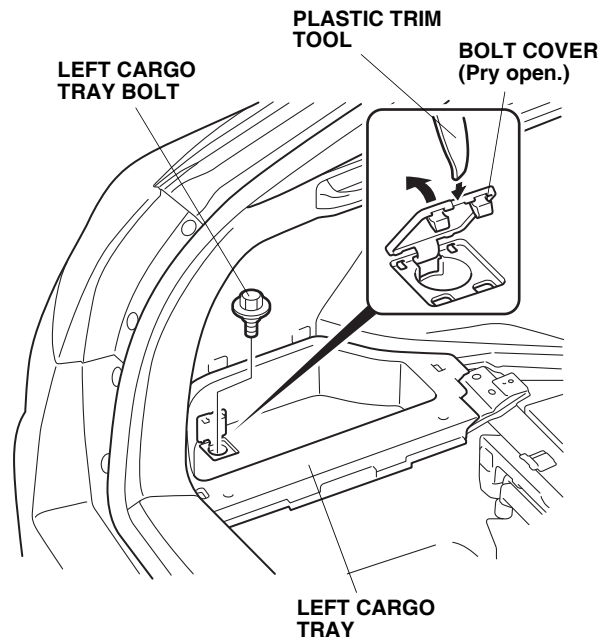
RIGHT CARGO FLOOR LID

3. Remove the cargo box.

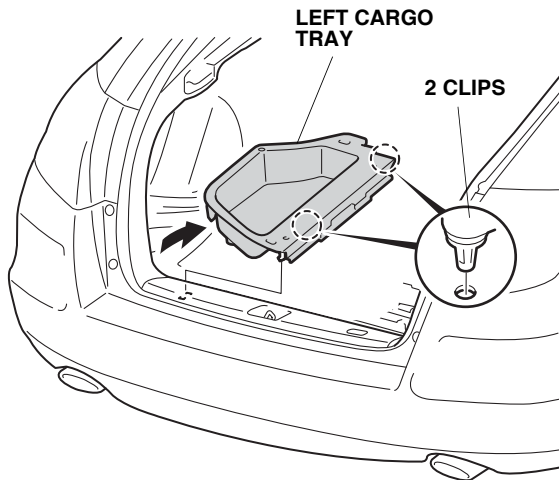


CARGO BOX

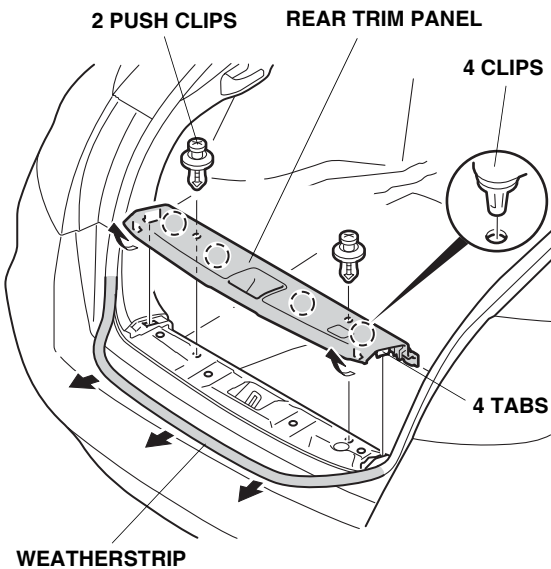
4. Pry open the bolt cover, and remove the left cargo tray bolt.



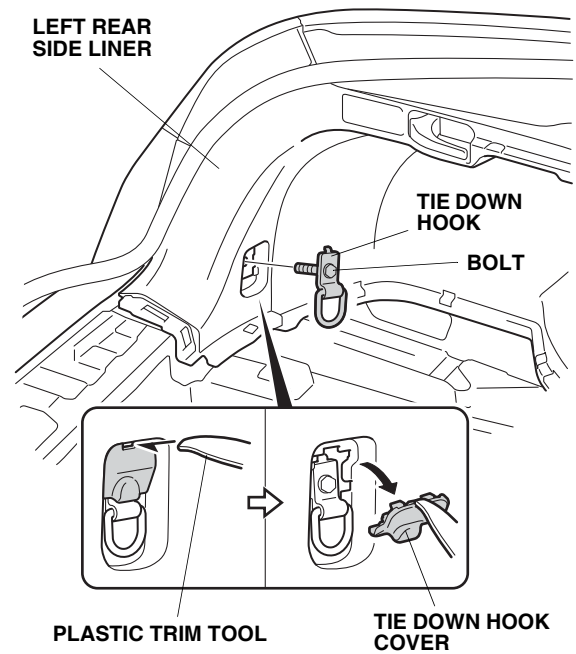
- Remove the left cargo tray (two clips).



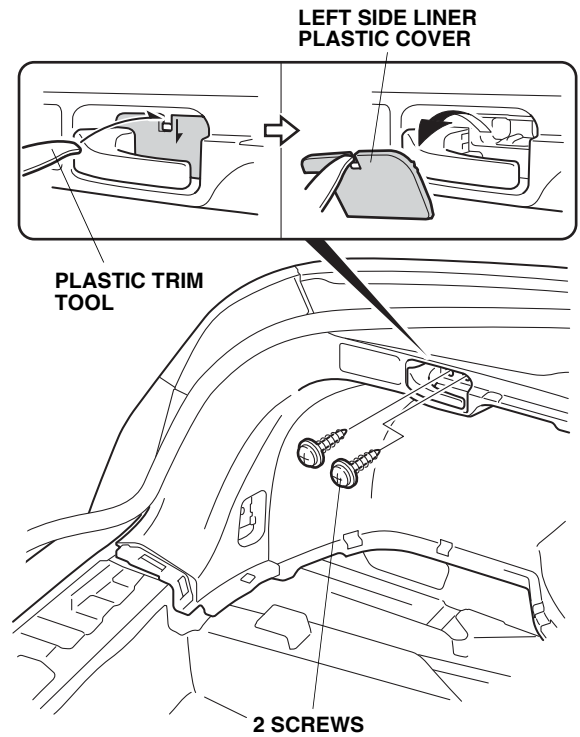
- Repeat steps 4 and 5 to remove the right cargo tray.
- Pull away the weatherstrip in the area shown. Remove the rear trim panel (two push clips, four clips, and four tabs).



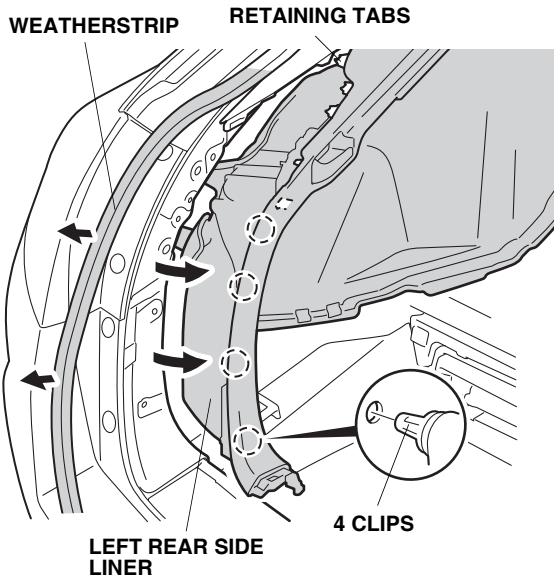
- Using a plastic trim tool, remove the tie down hook cover. Remove the tie down hook (one bolt).



- Using a plastic trim tool, remove the left side liner plastic cover. Remove the two screws under the cover.



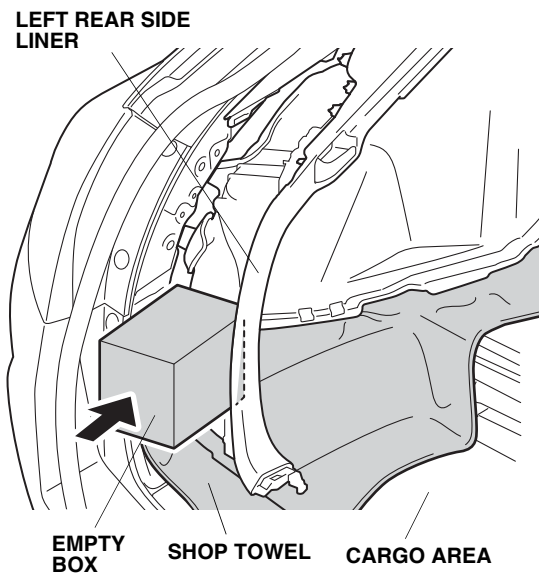
10. Release the rear portion of the left rear side liner:
 - Pull away the weatherstrip. Pull back the upper edge of the left rear side liner to release the retaining tabs.
 - Pull out the back edge of the left rear side liner by hand to detach the four clips.
 - Be careful not to crease the left rear side liner.



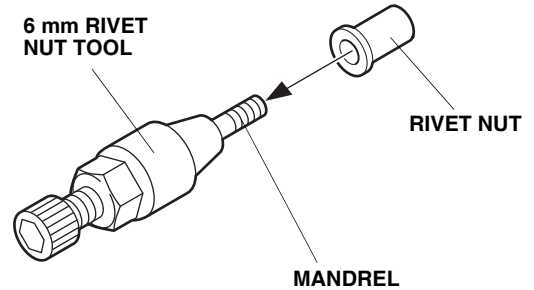
11. Repeat steps 8 thru 10 to release the right rear side liner.

Installing the Anchors

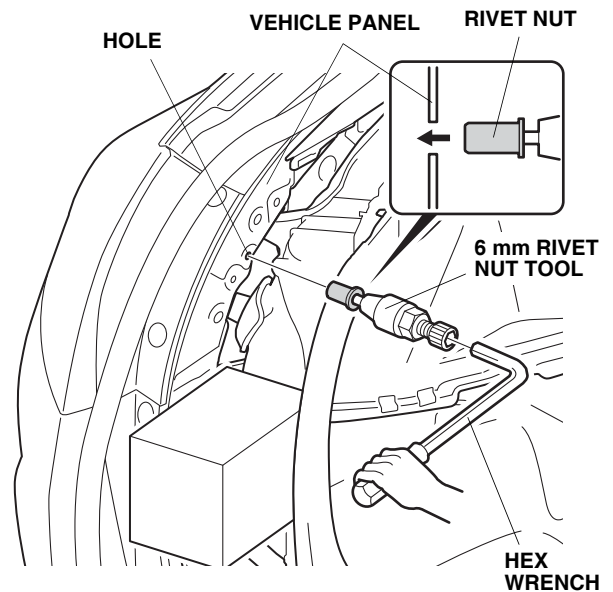
12. Place a shop towel over the cargo area under the left rear side liner, and insert an empty box.



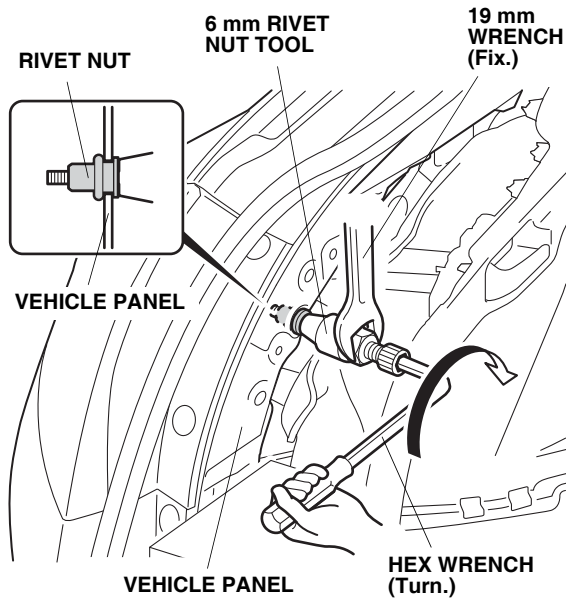
13. Thread one rivet nut onto the mandrel of the 6 mm rivet nut tool as shown.



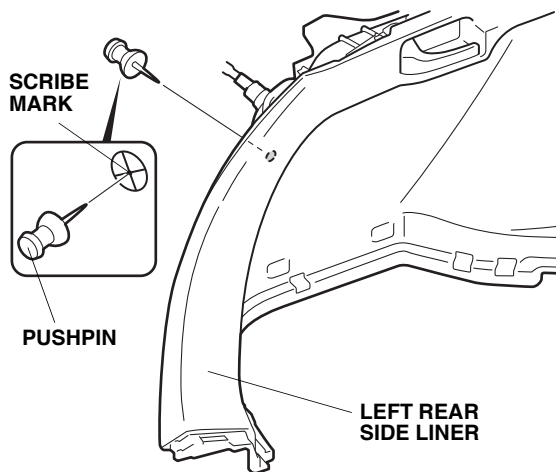
14. Insert the rivet nut into the hole shown, and attach the hex wrench to the 6 mm rivet nut tool.



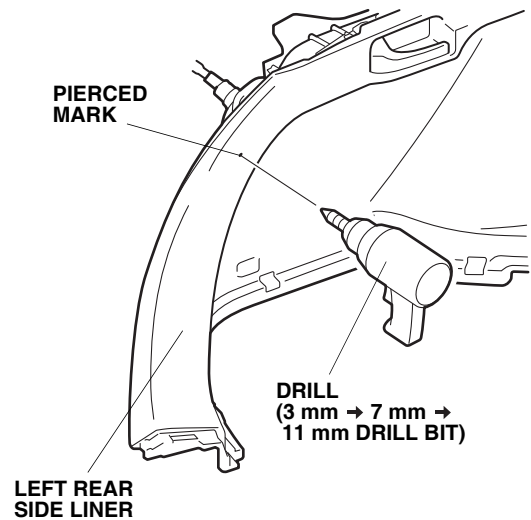
- While holding the 6 mm rivet nut tool with a 19 mm wrench, turn the hex wrench clockwise to install the rivet nut.



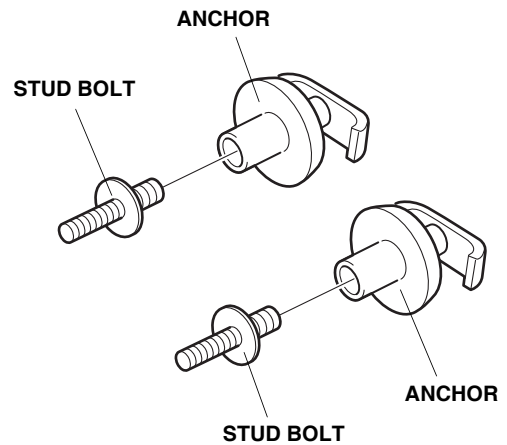
- Remove the 6 mm rivet nut tool from the rivet nut by turning the hex wrench counterclockwise.
- Repeat the steps 12 thru 16 to install a rivet nut on the right side of the vehicle.
- On the inside of the left rear side liner, locate the scribe mark. Using a pushpin, pierce the left rear side liner at the scribe mark.



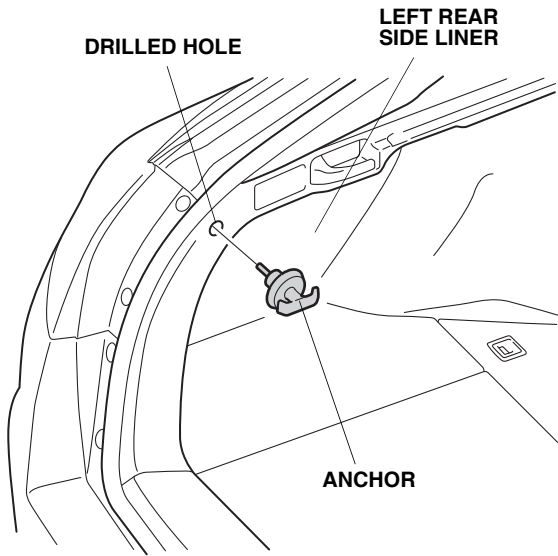
- While wearing eye protection, drill the left rear side liner at the pierced mark; first with a 3 mm drill bit, then with a 7 mm drill bit. Finish drilling using an 11 mm drill bit.



- Remove any burrs from the edges of the hole with a file.
- Repeat the steps 18 thru 20 to drill the right rear side liner. Reinstall all removed parts.
- Assemble the two stud bolts to the anchors.



23. Install one anchor into the drilled hole in the left rear side liner.



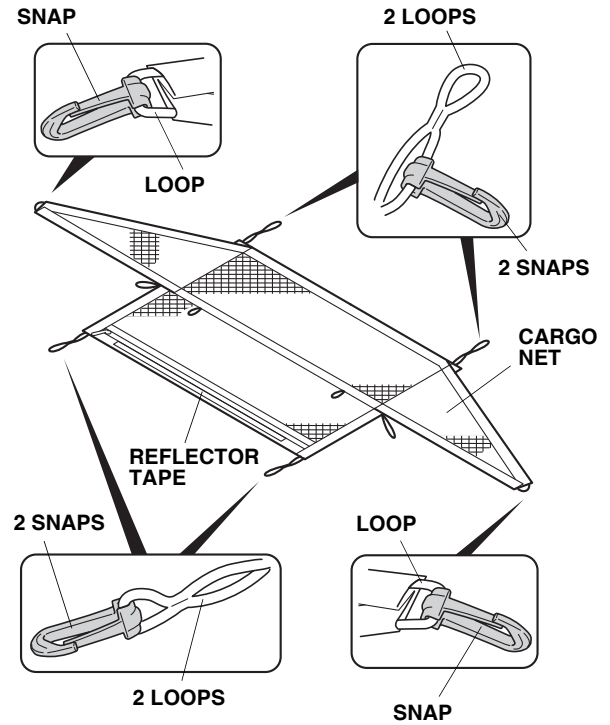
24. Install one anchor into the drilled hole in the right rear side liner.

Installing the Cargo Net

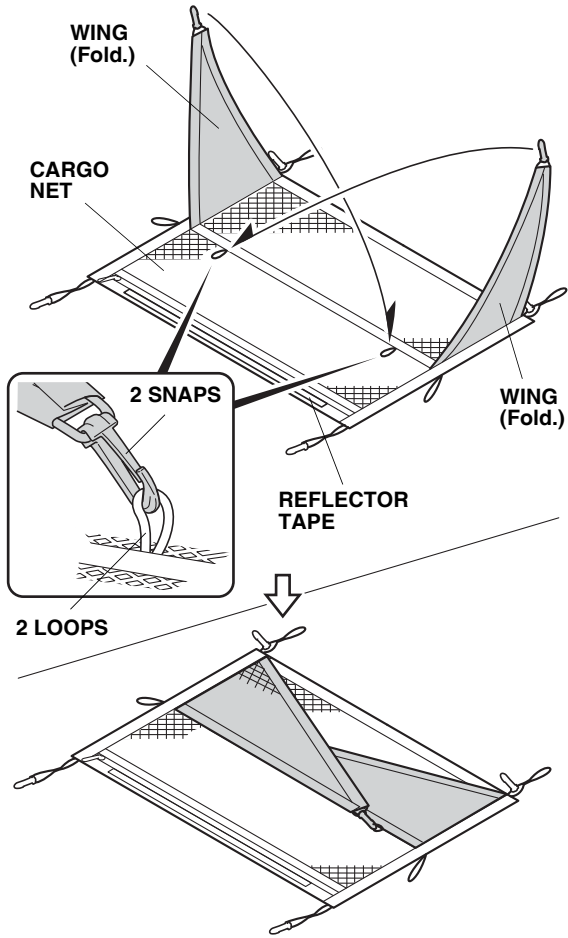
The cargo net can be installed in three positions.

Horizontal Position:

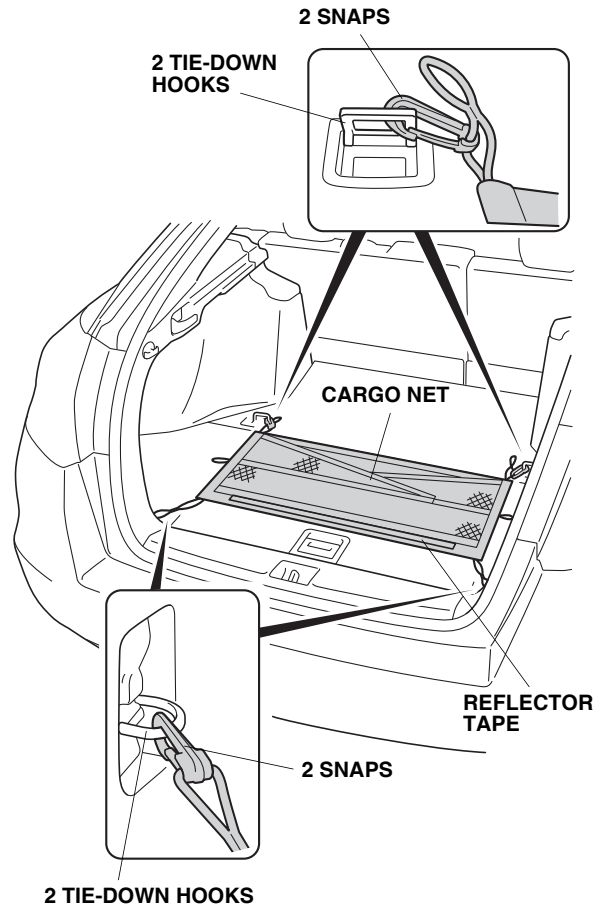
- Attach six snaps to the cargo net at the loops shown.



- Fold down each wing, and attach two snaps to the loops shown.

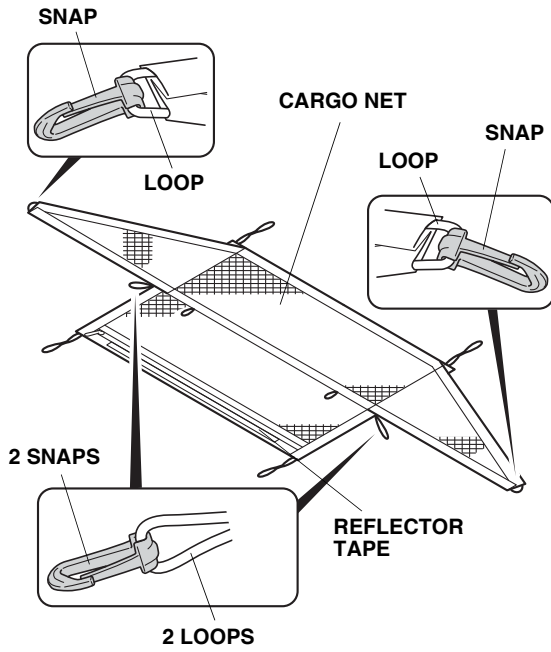


- Attach four snaps from the cargo net to the tie-down hooks shown.

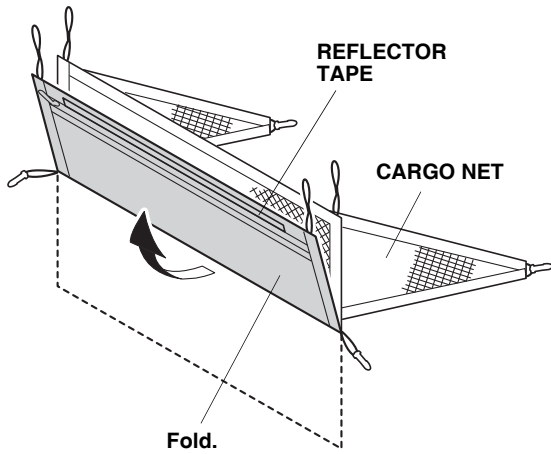


Vertical Position A:

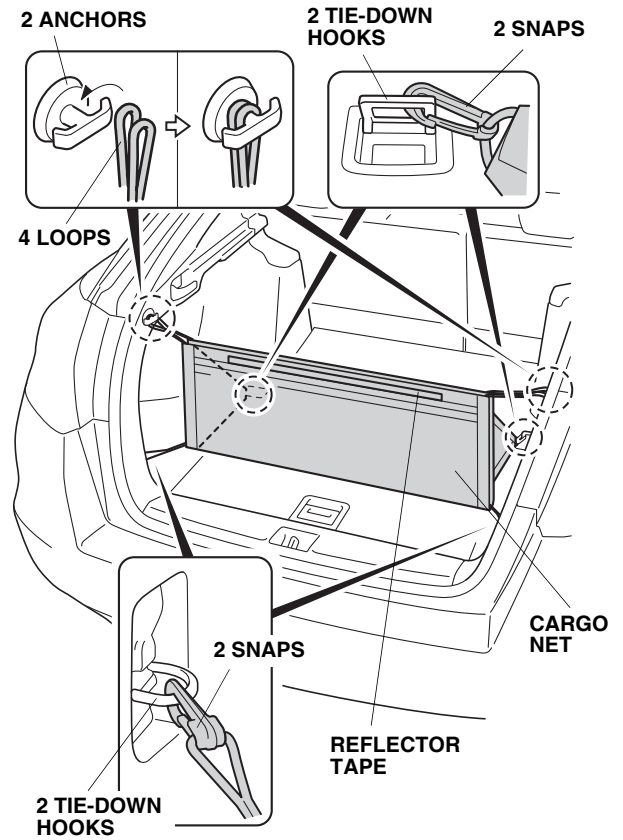
- Attach four snaps to the cargo net at the loops shown.



- Fold the cargo net as shown.

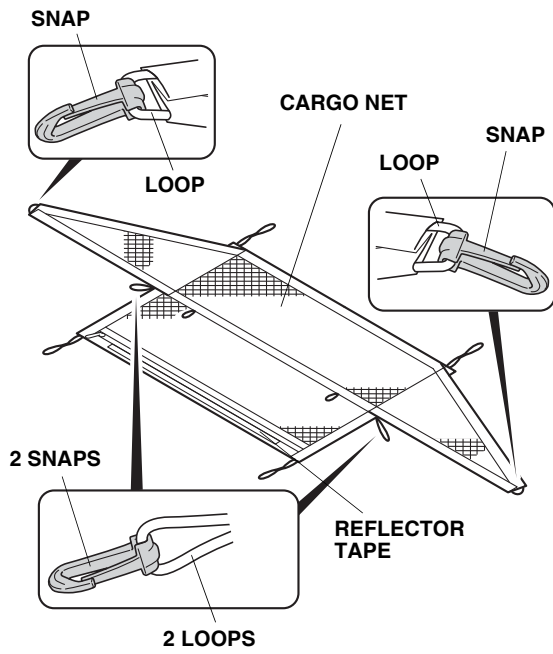


- Make sure that the reflector tape is visible before installing. Attach four snaps from the cargo net to the tie-down hooks, then attach four loops from the cargo net to the anchors shown.

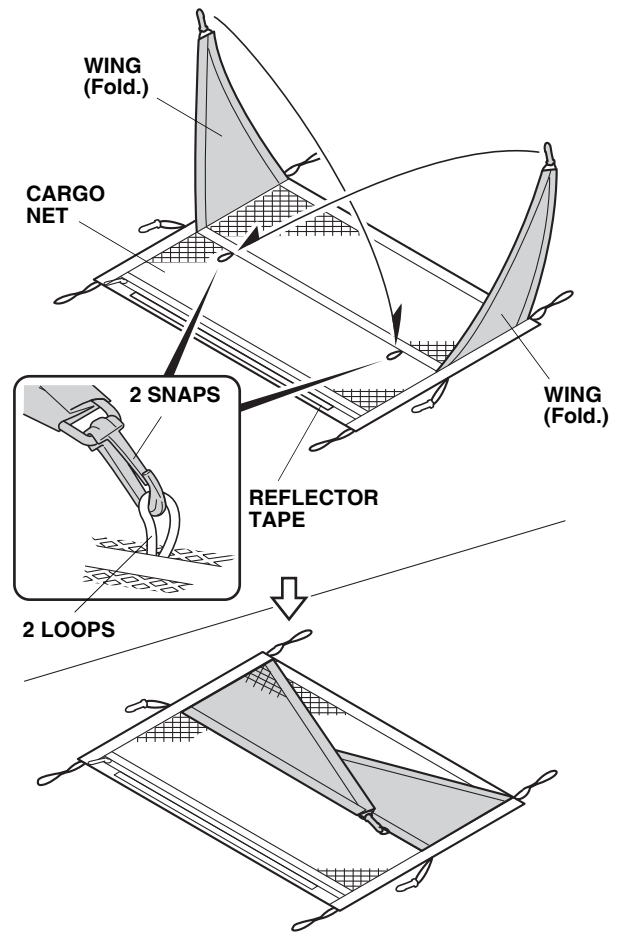


Vertical Position B:

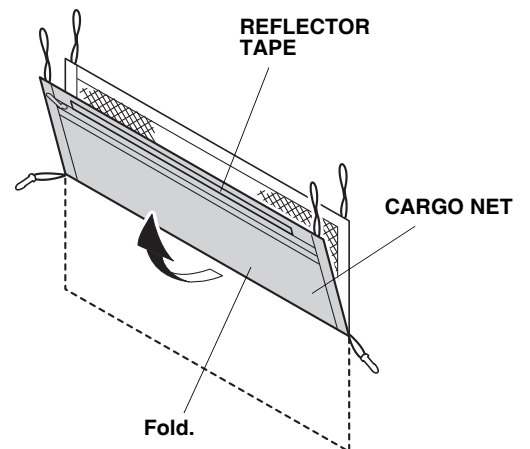
- Attach four snaps to the cargo net at the loops shown.



- Fold down each wing, and attach two snaps to the loops shown.



- Fold the cargo net as shown.



- Make sure that the reflector tape is visible before installing. Attach two snaps from the cargo net to the tie-down hooks, then attach four loops from the cargo net to the anchors.

