

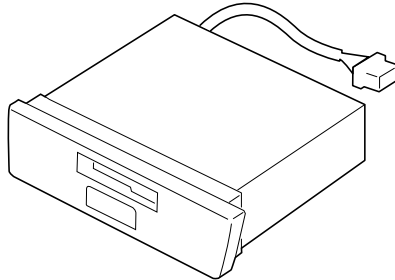
INSTALLATION INSTRUCTIONS

Accessory	Application	Publications No.
CD/CASSETTE PLAYER	CIVIC 2- AND 4-DOOR	All 24161
		Issue Date
		AUG 2002

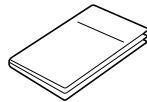
PARTS LIST

Cassette Player:
P/N 08A53-S5A-100

Cassette player



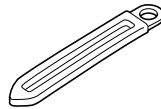
Owner's Manual



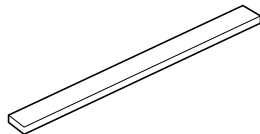
5 Washer-screws, 5 x 8 mm



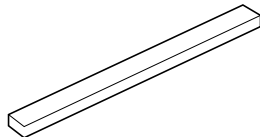
Harness clip



Adhesive pad

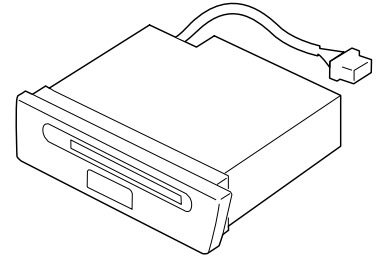


Rubber pad

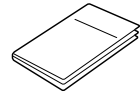


CD Player: P/N 08A53-S5D-100

CD player



Owner's Manual



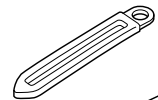
4 Washer-screws, 5 x 8 mm



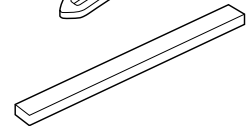
Washer-screw, 4 x 8 mm



Harness clip



Rubber pad



TOOLS AND SUPPLIES REQUIRED

- Phillips screwdriver
- 8 mm and 10 mm Sockets
- Ratchet
- Shop towel
- Utility knife
- Isopropyl alcohol
- Tape measure

INSTALLATION

Customer Information: The information in this installation instruction is intended for use only by skilled technicians who have the proper tools, equipment, and training to correctly and safely add equipment to your car. These procedures should not be attempted by "do-it-yourselfers."

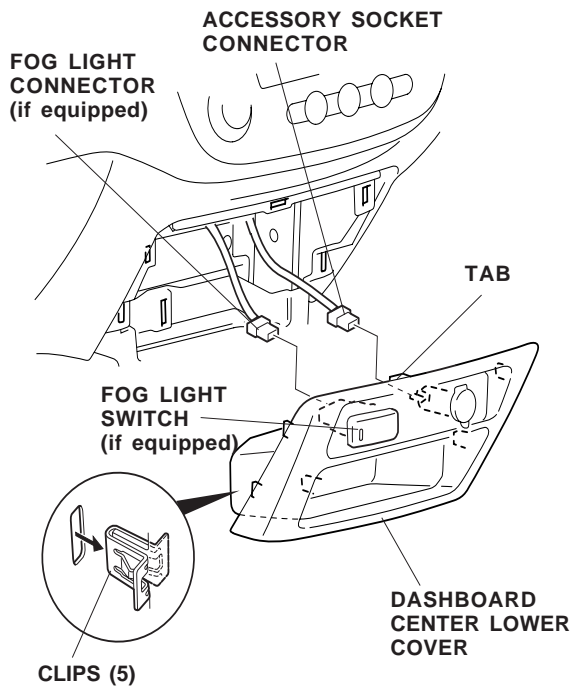
1. Make sure you have the anti-theft code for the radio, then write down the frequencies for the preset buttons.
2. Disconnect the negative cable from the battery.

NOTE:

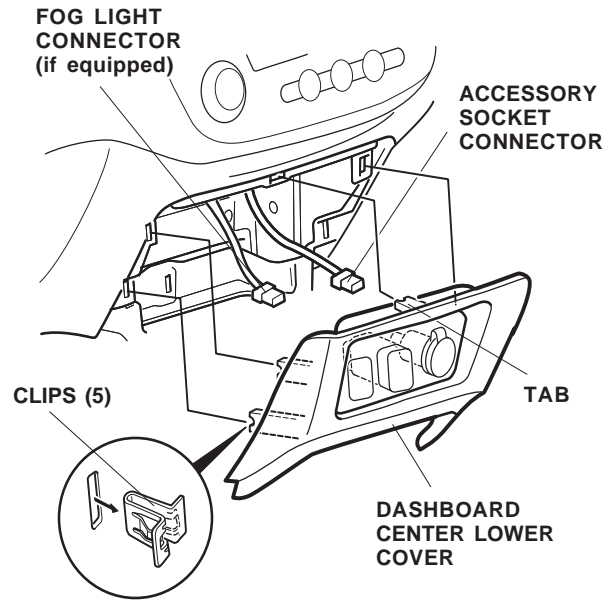
- Use a flat-tip screwdriver wrapped with a shop towel to prevent damage when prying out the retaining clips and tab.
- Take care not to scratch the dashboard and related parts.

3. Remove the dashboard center lower cover:
- With the parking brake applied, place the gear shift lever in the Neutral position.
 - Gently pry out on the lower cover to release the retaining clips and tab. If equipped, remove the ashtray and the self-tapping screw.
 - Unplug the accessory socket connector or the cigarette lighter connectors, and remove the lower cover. If equipped, unplug the fog light harness or remove the ashtray light.

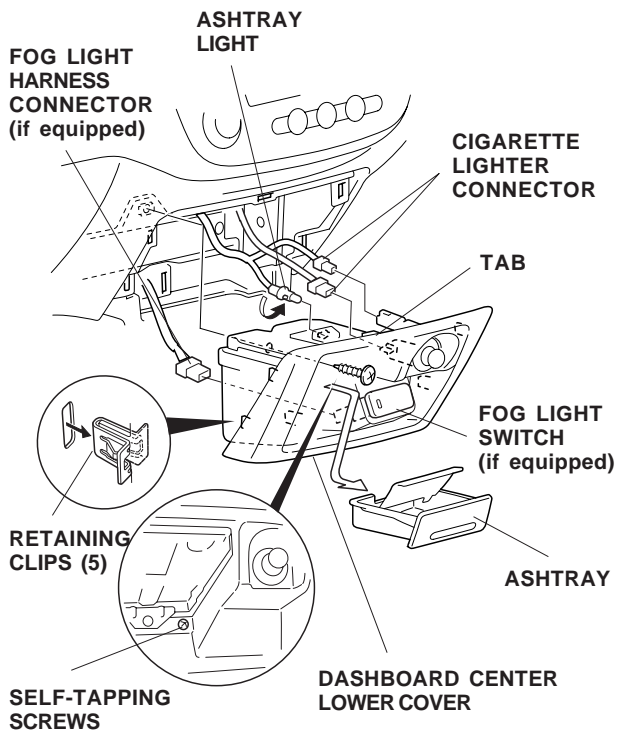
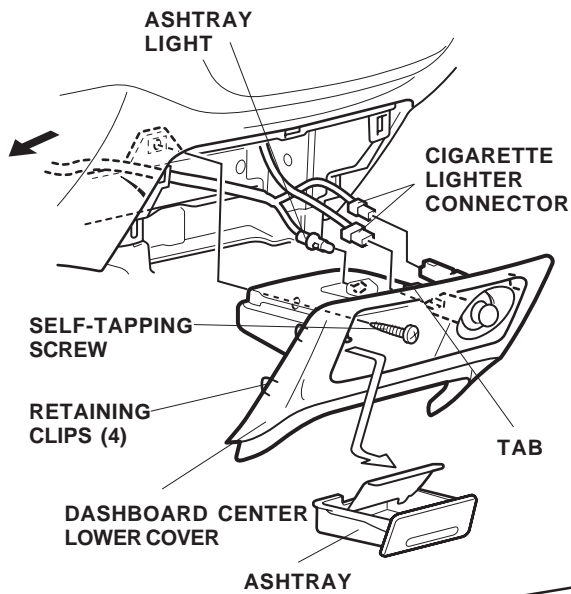
Without Console Beverage Holder Lid:



With Console Beverage Holder Lid:

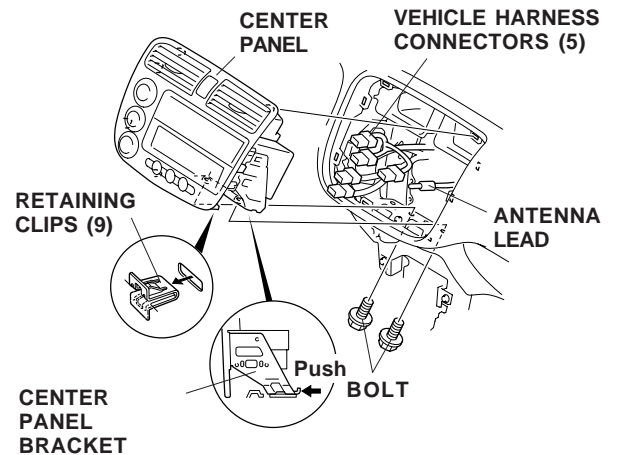


With Cigarette Lighter and Ashtray:

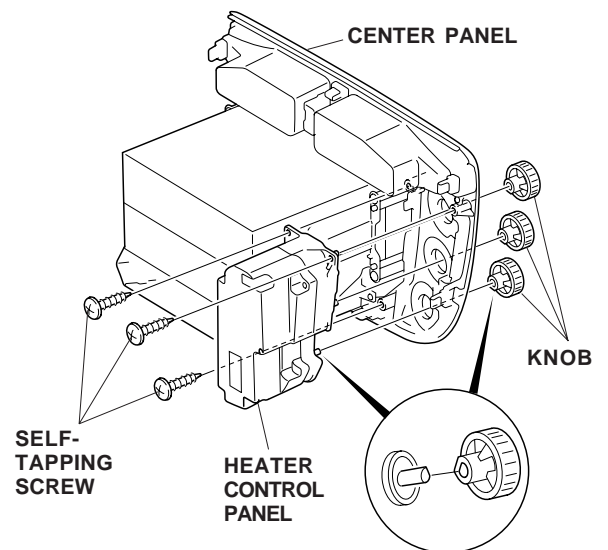


4. Remove the center panel:

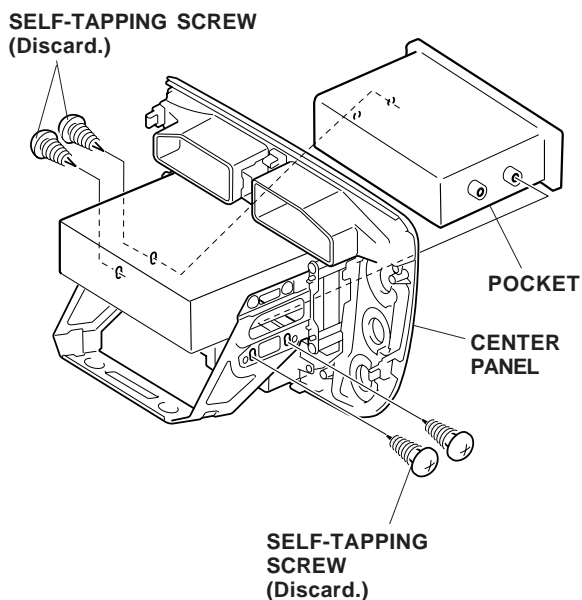
- Remove the two bolts from the bottom of the center panel.
- Reach through the bottom opening, and push out on the center panel bracket to release the nine retaining clips.
- Unplug the five connectors and the antenna lead, then remove the center panel.



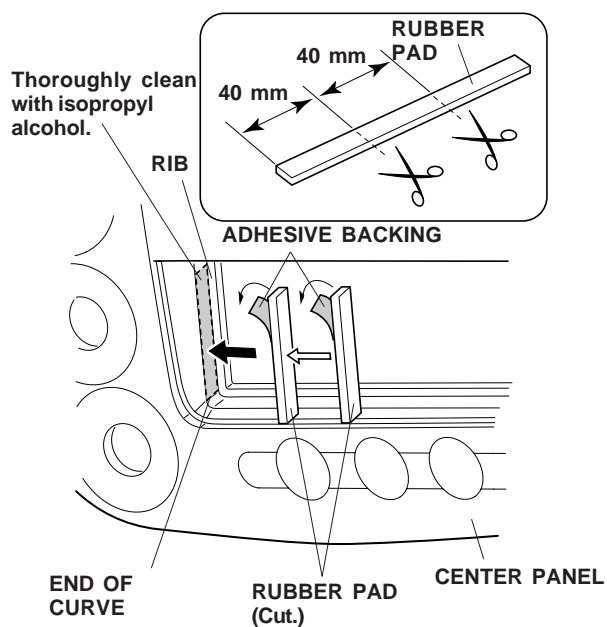
5. Gently pull out on each knob to remove them from the heater control panel.



- Remove the three self-tapping screws that fasten the heater control panel to the center panel, and remove the heater control panel.
- Remove the pocket (four self-tapping screws).

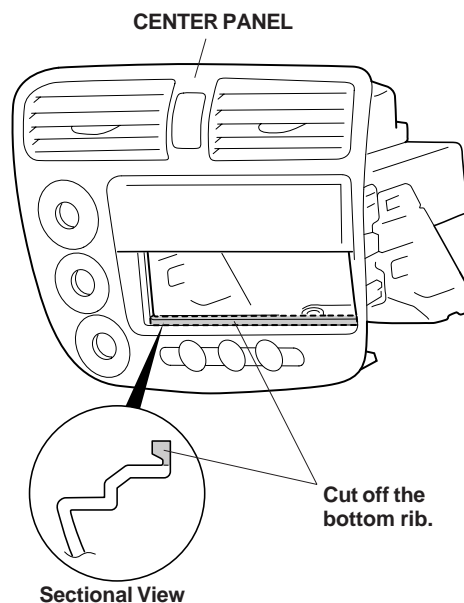


- Use a tape measure to measure and mark the rubber pad as shown. Using scissors, cut the rubber pad into three pieces. Remove the adhesive backing from each of the rubber pads, and attach them to the center panel in the areas shown.

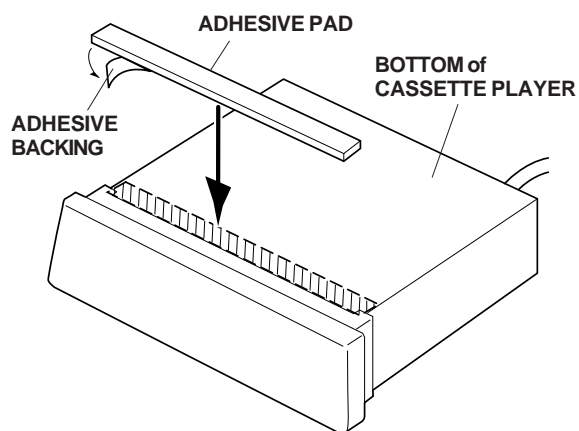


If you're installing a cassette player, continue with step 9; otherwise, go to step 11.

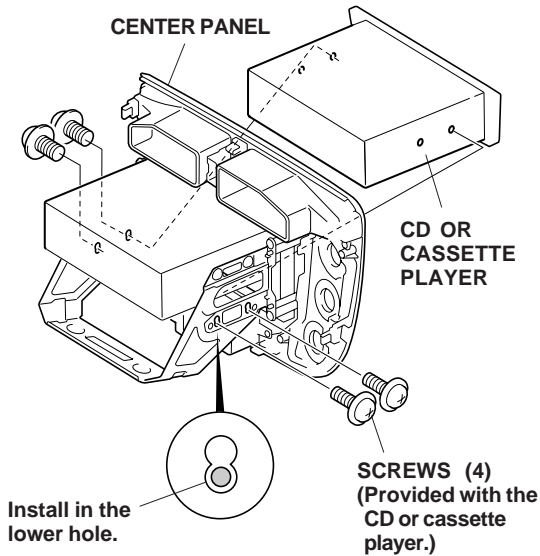
- Using a utility knife, cut off the bottom rib from the center panel at the lower edge of the audio opening. Remove all burrs. Before attaching the rubber pads, thoroughly clean the areas where the rubber pads will attach with isopropyl alcohol.



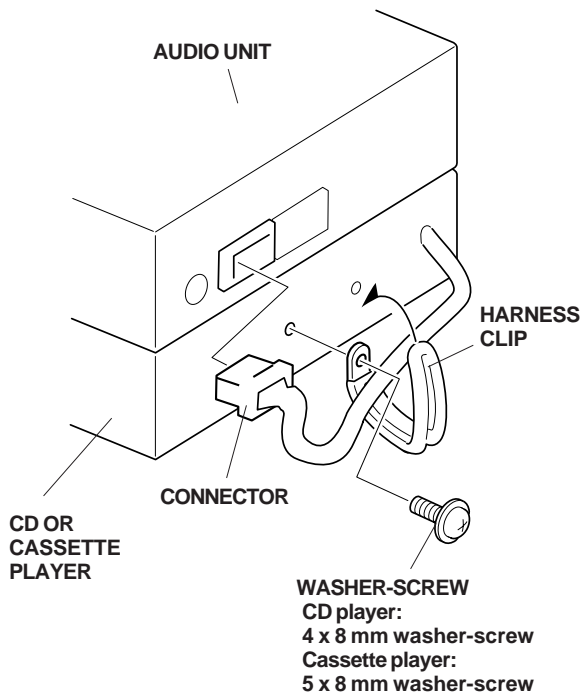
- Remove the adhesive backing from the adhesive pad, and attach it to the bottom of the cassette player in the area shown.



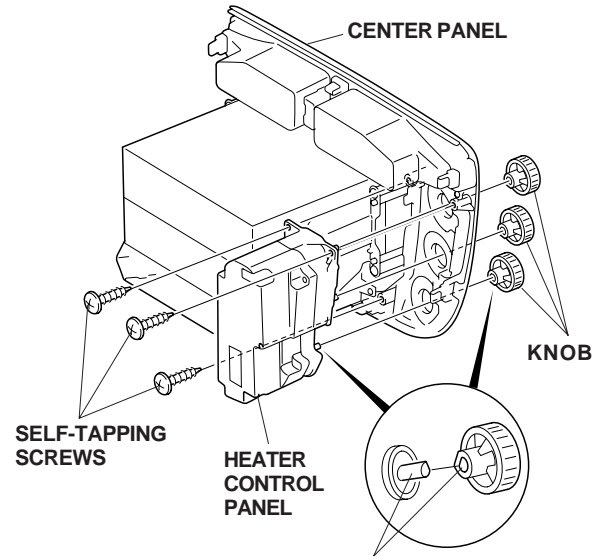
- Slide the CD or cassette player into the opening of the center panel, then install the four screws provided with the CD or cassette player.



- Attach the harness clip to the rear of the CD or cassette player with the washer-screw provided.

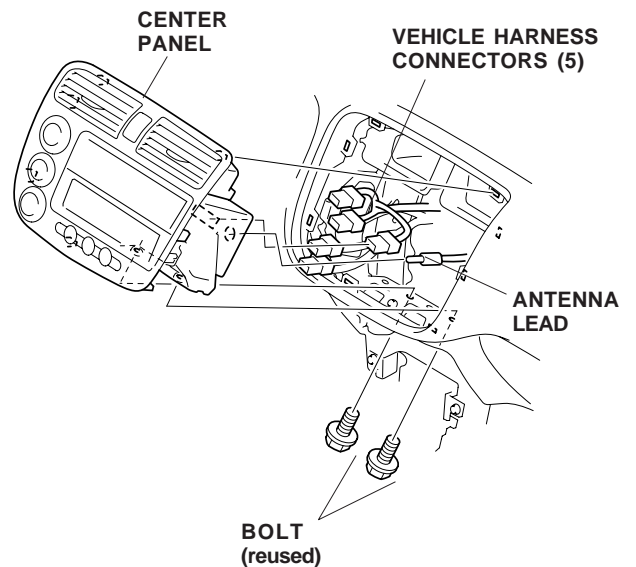


- Plug the connector from the CD or cassette player into the rear of the audio unit.
- Secure the harness with the harness clip attached in step 12.
- Reinstall the heater control panel and knobs on the center panel.



To reinstall the knobs, align the flat surface on the rod with the flat surface on the knob.

- Plug in the five vehicle harness connectors, then plug the antenna lead into the rear of the audio unit.



17. Reinstall the center panel with the two bolts.
18. Reconnect the negative cable to the battery.
19. Enter the anti-theft code, and reset the customer's radio station presets.
20. Reset the clock.
21. Check operation of the CD or cassette player according to the Owner's Manual.
22. Reinstall all removed parts. Check that all clips and fasteners are installed securely.
23. Place the Owner's Manual for the CD player or the cassette player in the glove box.
24. Test the operation of the accessory socket/cigarette lighter.