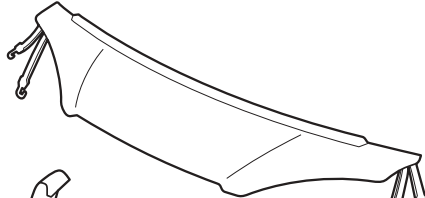


INSTALLATION INSTRUCTIONS

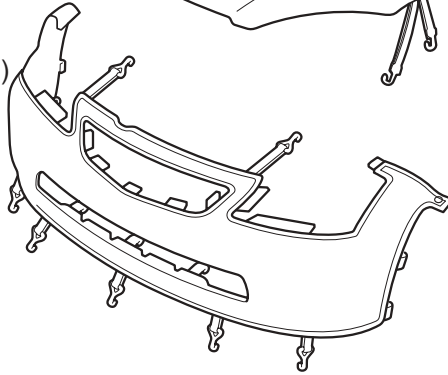
Accessory FULL NOSE MASK P/N 08P35-S5T-100B	Application CIVIC Si	Publications No. All 24356
		Issue Date AUG 2002

PARTS LIST

Mask
(hood section)



Mask
(bumper section)



2 Snap-screws



2 Fenderwell nuts



2 Washers



TOOLS AND SUPPLIES REQUIRED

Stubby #2 Phillips screwdriver

Flat-tip screwdriver

Scissors

INSTALLATION

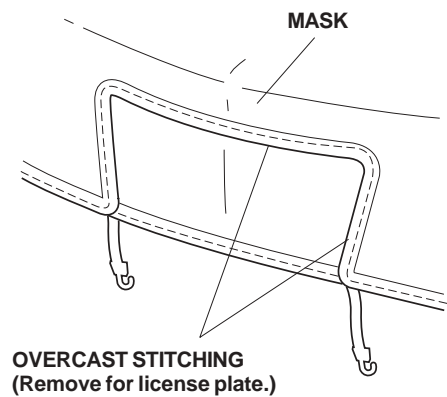
NOTE:

- Make sure the vehicle and the nose mask are clean and completely dry before installation. If moisture under the mask is allowed to dry, it may cloud the paint. If the mask gets wet, remove it and allow it to air-dry completely.
- Make sure any repainted surfaces are cured.
- Make sure the hood and nose of the vehicle have been waxed with a high-quality paste wax.
- Make sure to install the nose mask securely. If the nose mask starts to flap or comes loose while driving, safely pull off the highway, stop the vehicle, and secure or remove the mask.

Displaying the License Plate

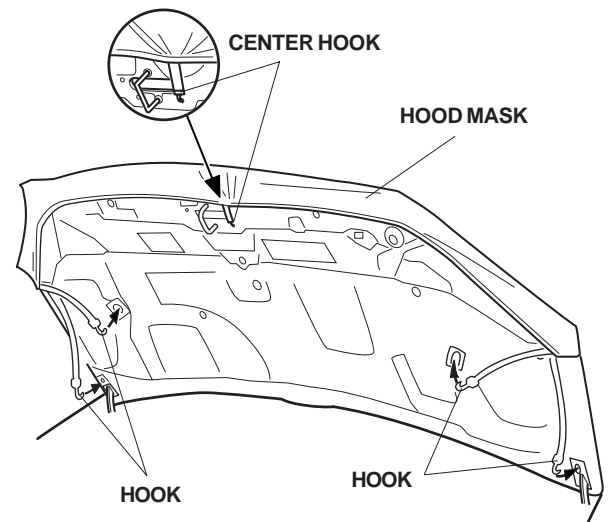
If your state law requires the display of both license plates, cut out the piece of the bumper section that covers the front license plate:

- Face the inside of the mask toward you.
- Carefully cut out the license plate section with scissors at the top seam, and remove the overcast stitching.



Installing the Hood Section

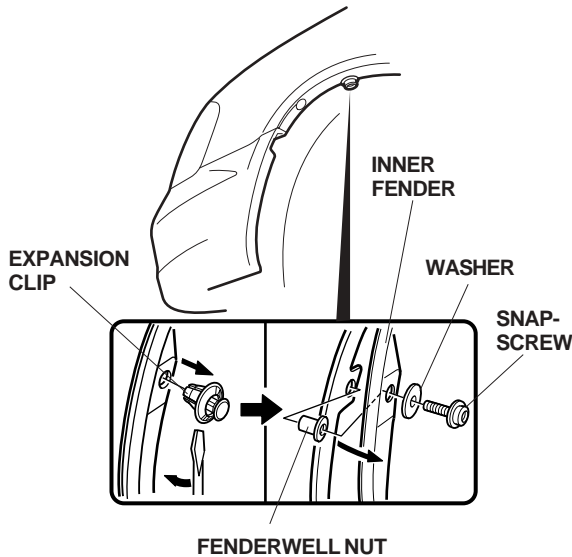
1. Open the hood. Fit the corners of the mask around the hood. Adjust the mask so that it fits smoothly over the edges. Attach the center hook to the hood.



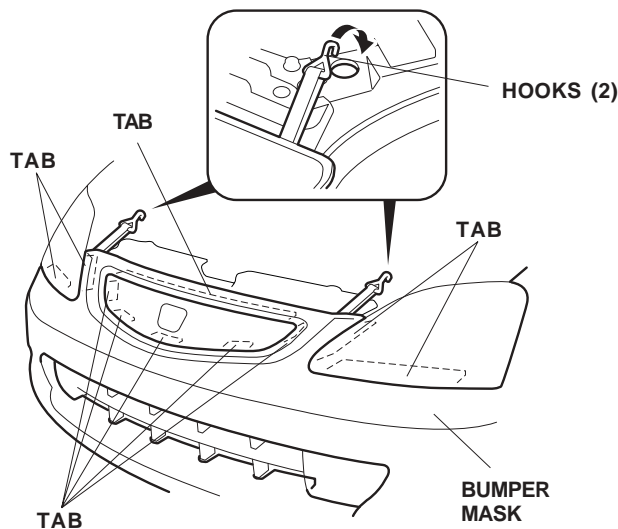
2. Secure the mask by hooking the four hooks to the holes in the back of the hood.

Installing the Bumper Section

3. Turn the steering wheel all the way clockwise.
4. Pry out the plastic pin, and remove the expansion clip that fastens the inner fender; remove and retain the clip, then clean the area around the hole.

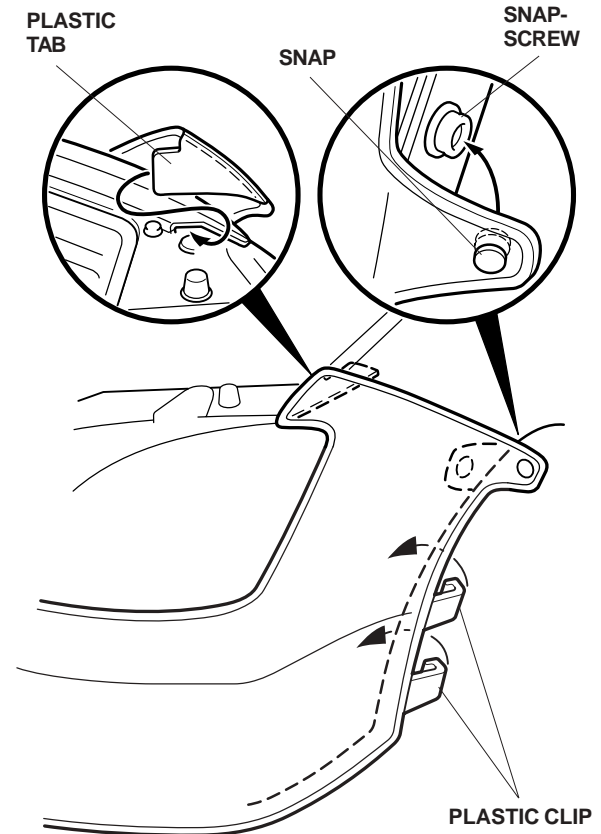


5. Pull the inner fender away, and press one fenderwell nut (supplied) into the hole in the fender flange.
6. With its washer in place, securely tighten one snap-screw into the fenderwell nut.
7. Turn the steering wheel all the way counter-clockwise, and repeat steps 4 through 6 on the other side of the vehicle.
8. Insert the ten tabs into the clearance around the front grille and headlight.



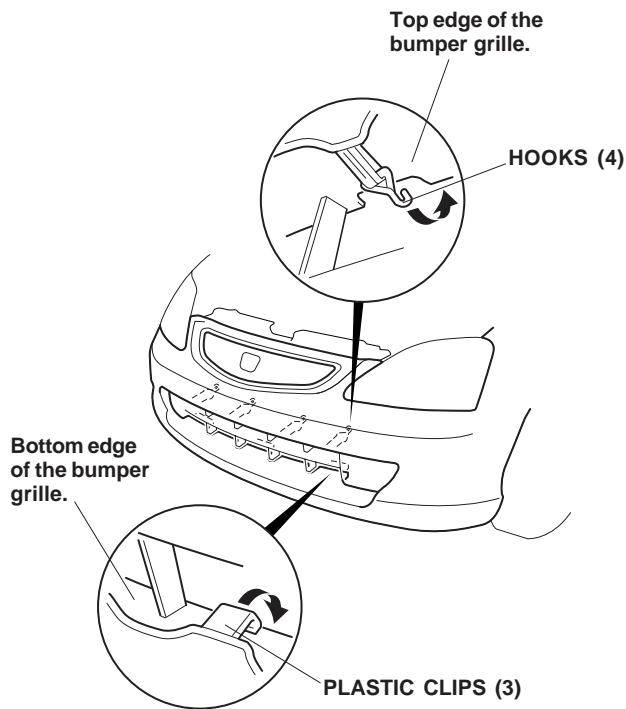
9. Attach the hooks to the holes in the inner front fender.

10. Slide the plastic tab of the mask's fender section into the opening at the front corner of the fender. Make sure the lip on the plastic tab catches the lip of the inner fender. Fit the mask across the bumper, and attach the mask to the other side in the same way.

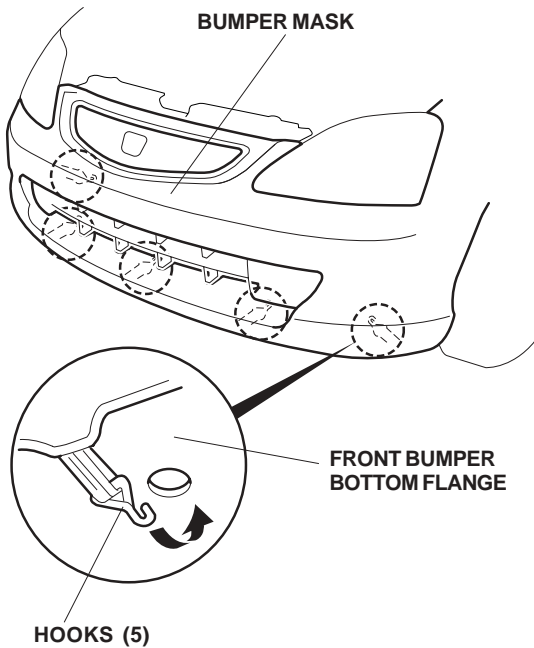


11. Pull the mask back toward the wheelwell, smooth out any wrinkles, and then snap the mask onto the snap-screw. Repeat on the other side.
12. On both sides of the vehicle, attach the two plastic clips to the fenderwell.

13. Attach the four hooks and three plastic clips to the top and bottom edges of the bumper grille.



14. Attach the five hooks to the holes in the bottom flange of the front bumper.



15. Put these instructions and the expansion clips removed in step 4 in the glove box.

CLEANING THE NOSE MASK

Use a sponge or cloth and a solution of mild liquid dishwashing soap and water to clean the vinyl and the flannel backing. Rinse the mask completely with clean water, and hang it to dry, out of direct sunlight. Make sure the mask is completely dry before you reinstall it.