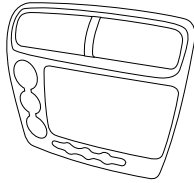
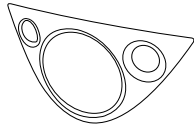


**INSTALLATION  
INSTRUCTIONS**Accessory  
**TRIM KIT  
(CARBON FIBER-LOOK)  
P/N 08Z03-S5T-100B**Application  
**CIVIC Si**Publications No.  
**All 24362**  
Issue Date  
**AUG 2002****PARTS LIST**

Center panel



Shift panel



Left outlet panel



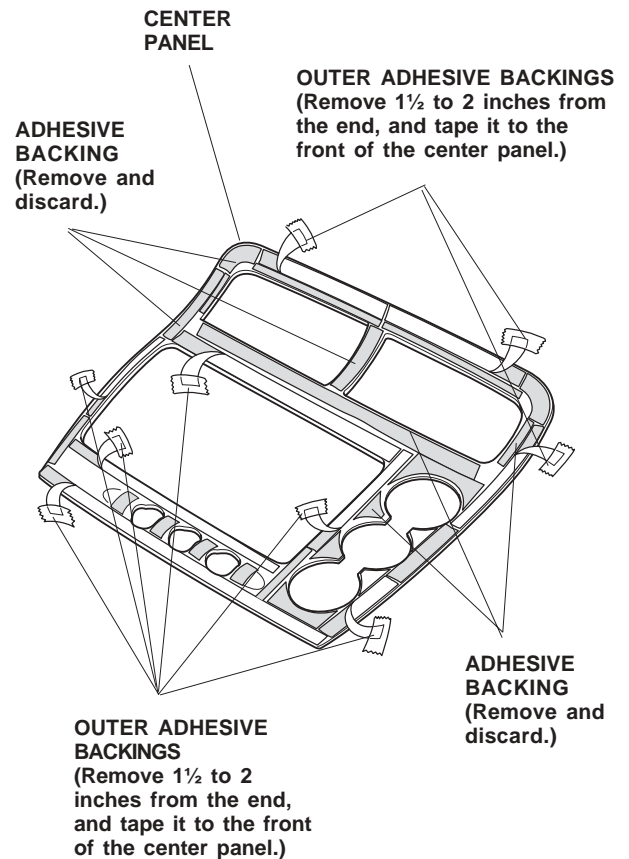
Right outlet panel

**TOOLS REQUIRED**Contact cleaner  
Shop towel  
Masking tape**INSTALLATION****NOTE:**

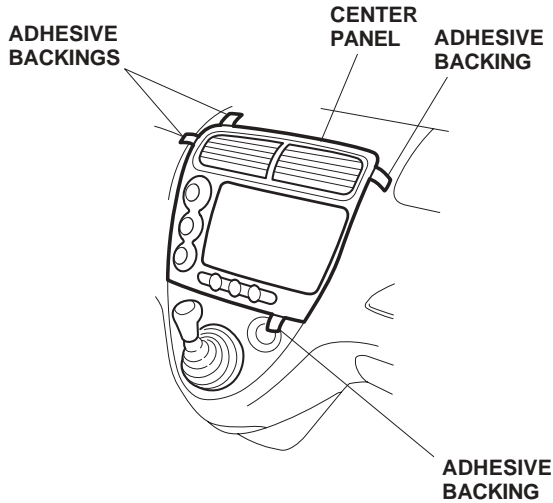
- Be extremely careful not to damage the panel.
- The panel should be installed only if the ambient air temperature is 60°F (15°C) or above.

**Installing the Center Panel**

1. Position the center panel on the existing center panel, and note its location for proper installation. Remove the center panel. Using contact cleaner on a shop towel, clean the area where the center panel will attach.
2. On the inside of the center panel, attach a strip of masking tape to each end of the outer adhesive backings shown, and remove 1½ to 2 inches of the adhesive backings. Fold the ends back and tape them to the front of the center panel. Remove all remaining adhesive backings from the center panel.

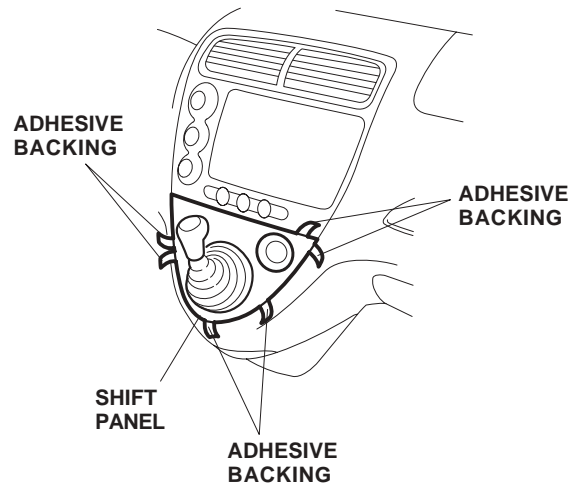


3. Angle the center air outlet louvers down. Position the center panel on the existing center panel in the position noted in step 1. While holding pressure on the center panel, slowly and carefully remove the adhesive backings from the center panel. Hold the center panel firmly against the existing center panel with the palm of your hand for 30 seconds, particularly at the edges.



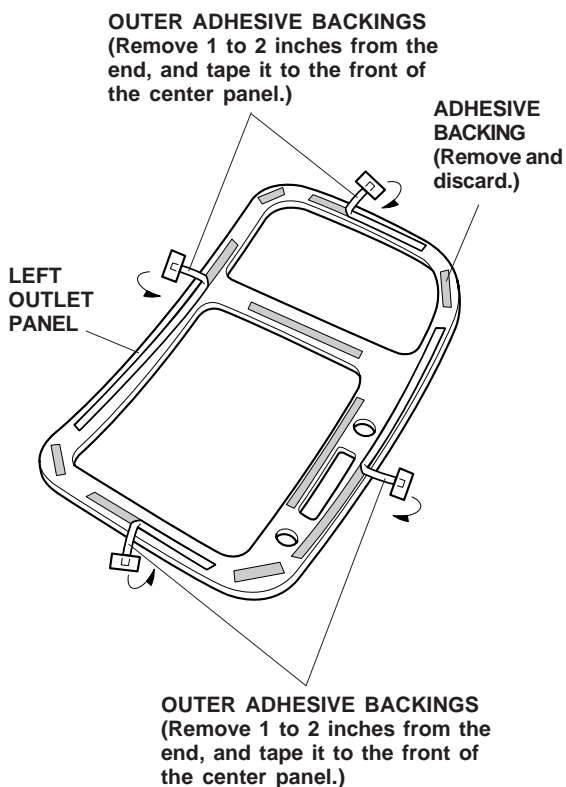
### Installing the Shift Panel

4. Position the shift panel on the existing shift panel, and note its location for proper installation. Remove the shift panel. Using contact cleaner on a shop towel, thoroughly clean the area where the shift panel will attach.
5. On the inside of the shift panel, attach a strip of masking tape to each end of the outer adhesive backings, and remove 1 to 2 inches of the adhesive backings. Fold the ends back and tape them to the front of the center panel. If necessary, remove all remaining adhesive backings from the shift panel.
6. Position the shift panel on the existing center panel in the position noted in step 4. While holding pressure on the shift panel, slowly and carefully remove the adhesive backings from the shift panel. Hold the shift panel firmly against the existing shift panel with the palm of your hand for 30 seconds.

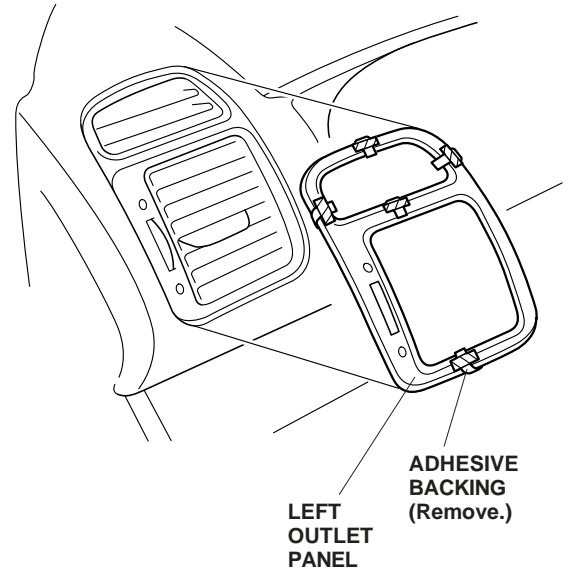


## Installing the Outlet Panel

7. Position the left outlet panel on the left outlet, and note its location on the left outlet for proper installation. Remove the panel. Using contact cleaner on a shop towel, thoroughly clean the area where the outlet panel will attach.
8. On the inside of the outlet panel, attach a strip of masking tape to each end of the outer adhesive backings, and remove 1 to 2 inches of the adhesive backings. Fold the ends back and tape them to the front of the outlet panel. Remove all remaining adhesive backings from the outlet panel.



9. Position the left outlet panel on the outlet in the position noted in step 7. While holding pressure on the outlet panel, slowly and carefully remove the adhesive backings from the outlet panel. Hold the shift panel firmly against the existing shift panel with the palm of your hand for 30 seconds.



4. Repeat steps 7 through 9 to install the right outlet panel on the right side of the vehicle.

## USE AND CARE

Use a soft cloth or sponge dampened with a mild detergent and water solution to clean the panel. Do not use polishing waxes containing compounds or degreasing agents to clean the panel.