



INSTALLATION INSTRUCTIONS

Accessory
**IN DASH/CASSETTE/
MULTI MEDIA
PLAYER ATTACHMENT KIT**

Application
**CIVIC
2 and 4 DOOR (DX)**

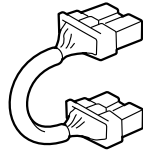
Publications No.
All 30146
Issue Date
SEP 2005

NOTE: The vehicle must be equipped with an AM/FM tuner and pocket before installing a player.

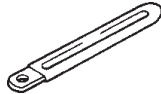
PARTS LIST

**Player Attachment Kit (sold separately)
P/N 08B06-SCV-101**

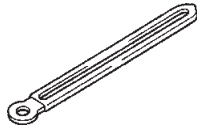
BUS cable



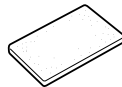
Small harness clip



Large harness clip



EPT sealer

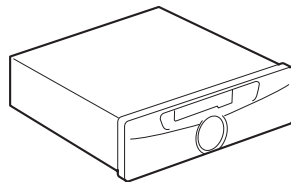


2 Washer-screws,
4 x 8 mm



**Cassette Player (sold separately)
P/N 08A03-5E1-000**

Cassette player



4 Washer-screws, 5 x 8 mm

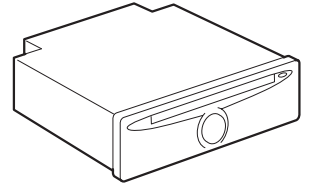


User's information



**Multi Media Player (sold separately)
P/N 08A06-4E1-200**

Multi media player



4 Washer-screws, 5 x 8 mm

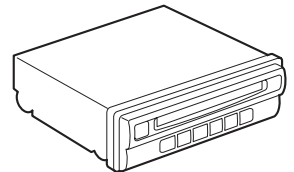


User's information



**In-Dash CD Changer (sold separately)
P/N 08A06-3E1-300**

In-Dash CD changer



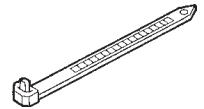
6 Washer-screws, 5 x 8 mm
(2 not used)



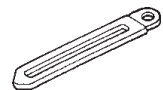
Washer-screw, 4 x 6 mm



Wire tie
(not used)



Harness clip
(not used)



User's information



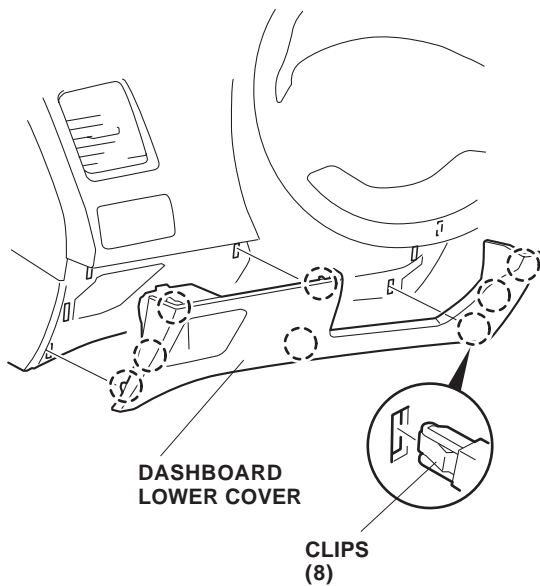
TOOLS REQUIRED

Phillips screwdriver
Flat-tip screwdriver
8 mm, 10 mm and 14 mm Combination wrenches
Isopropyl alcohol
Shop towel
Ratchet
8 mm, 10 mm and 14 mm Socket
Shop towel
Scissors
Masking tape

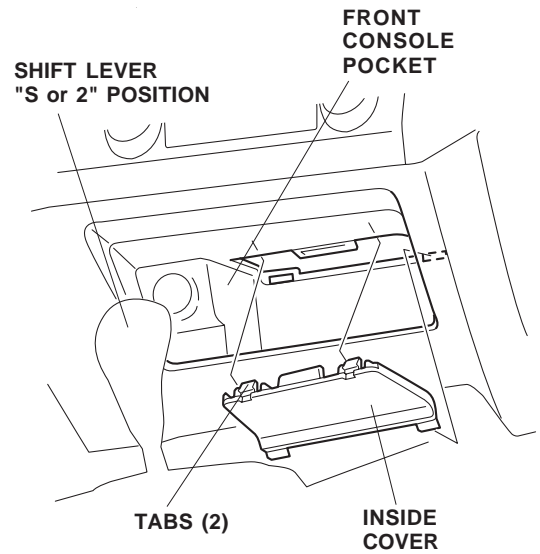
INSTALLATION

Customer Information: The information in this installation instruction is intended for use only by skilled technicians who have the proper tools, equipment, and training to correctly and safely add equipment to your vehicle. These procedures should not be attempted by "do-it-yourselfers".

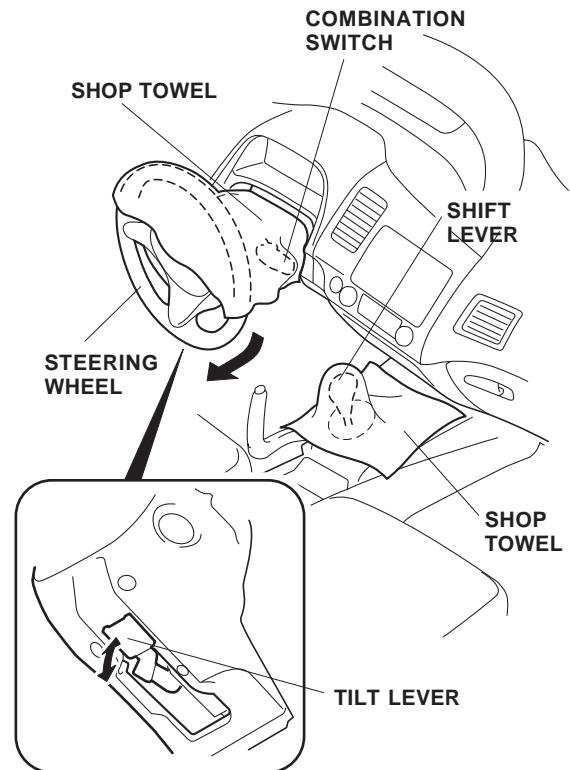
1. Make sure you have the anti-theft code for the radio, then write down the frequencies for the preset buttons.
2. Disconnect the negative cable from the battery.
3. Remove the driver's dashboard lower cover (eight clips).



4. Remove the inside cover from the front console pocket (two tabs).

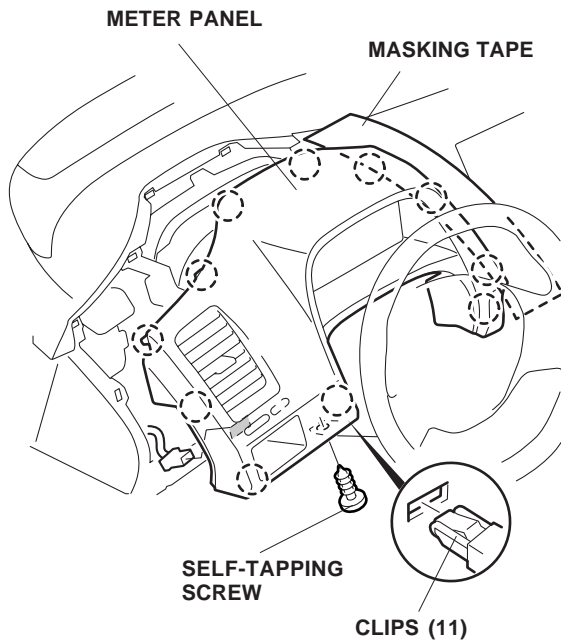


5. Lower the tilt lever and pull the steering wheel toward you.

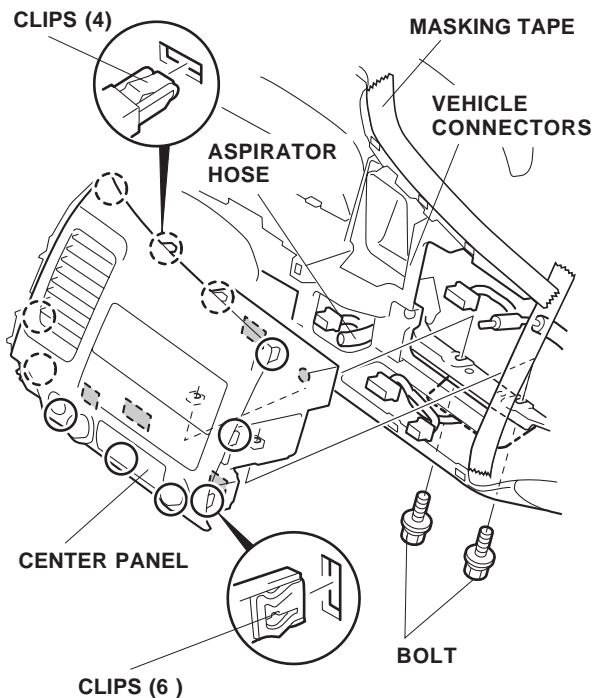


6. To protect the dashboard area, place a shop towel over the steering wheel and shift lever.

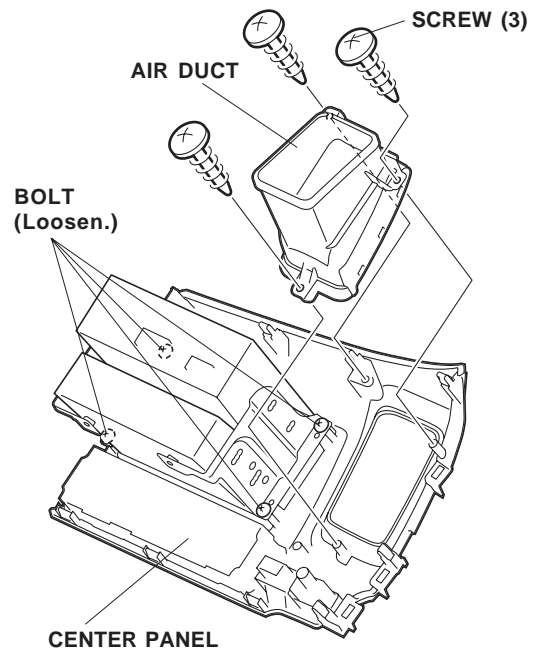
- Apply masking tape to the meter panel as shown, and remove the instrument panel (one self-tapping screw, 11 clips, and one connector).



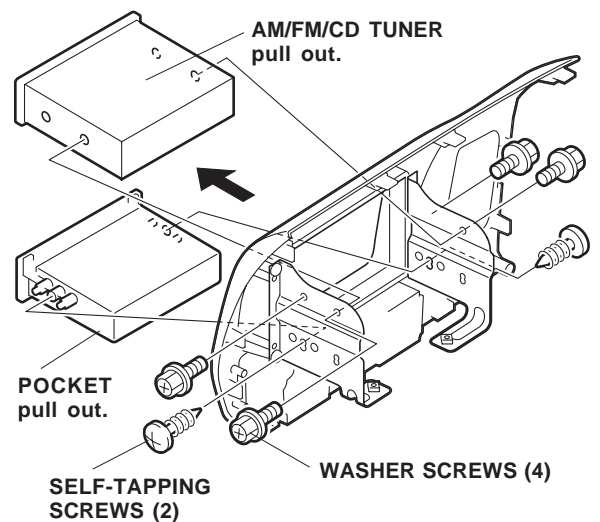
- Apply masking tape to the instrument panel as shown, and remove the center panel (two bolts, ten retaining clips, and unplug the vehicle connectors).



- Remove the three screws and remove the air duct from the center panel.



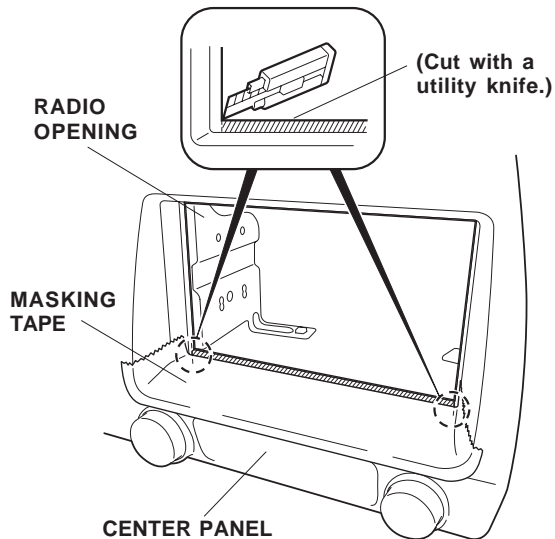
- Loosen the four bolts on the right and left audio brackets.
- Remove the four washer screws that fasten the AM/FM/CD tuner to the brackets and pull the tuner out toward you.



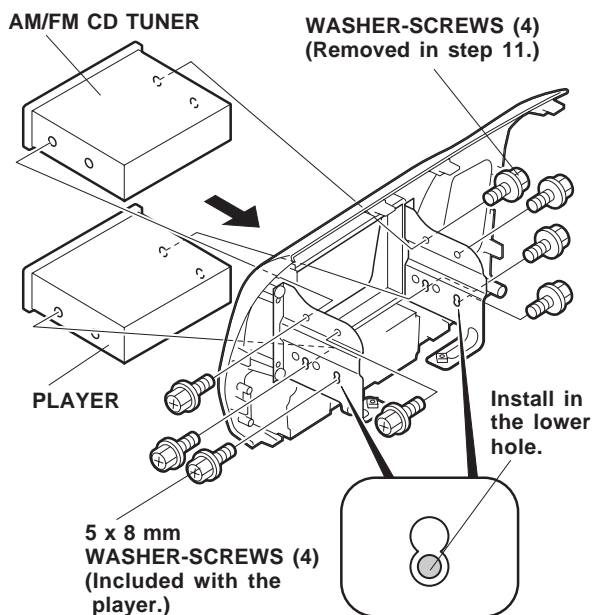
- Remove the two self-tapping screws that fasten the pocket to the brackets and pull the pocket out toward you. Save the pocket and the screws for your customer.

Installing the Player

- Cut the marked area from the edge of the radio opening.
 - Finish the edge smooth and flat. Remove all burrs.



- Position the player in the center panel and install the four 5 x 8 mm washer screws.

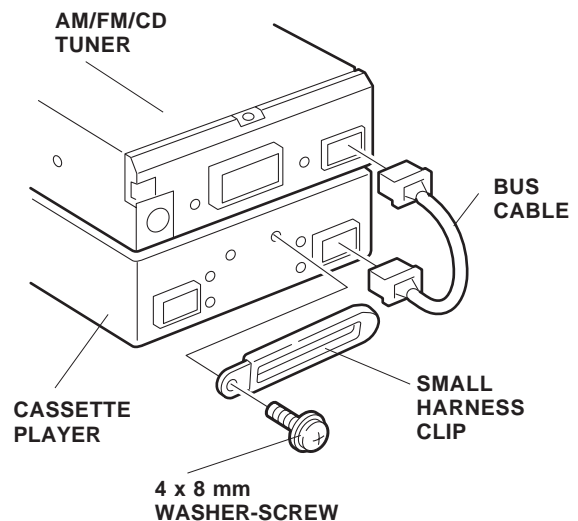


- Position the AM/FM/CD tuner on the player and install the four washer screws you just removed.
- Tighten the four bolts on the audio brackets you loosened in step 10, and reinstall the air duct with the original screws.

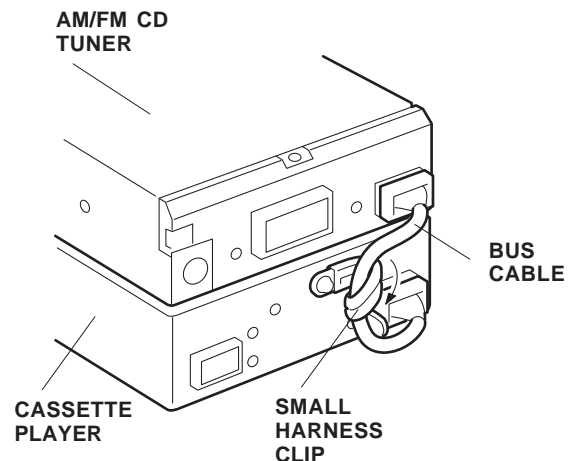
- Plug the BUS cable connectors into the rear of the AM/FM/CD tuner and player, then secure the BUS cable with the harness clip as shown.

Cassette Player

- Plug the BUS cable connectors into the rear of the AM/FM/CD tuner and cassette player.
- Secure the small harness clip to the back of the cassette player with the 4 x 8 mm washer-screw.

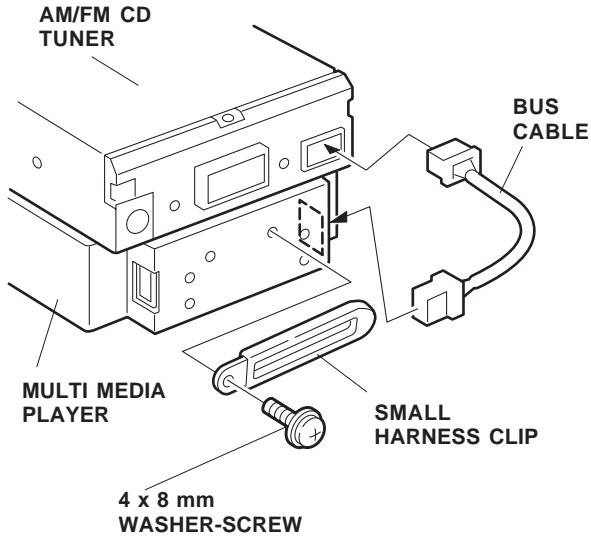


- Secure the BUS cable with the small harness clip.



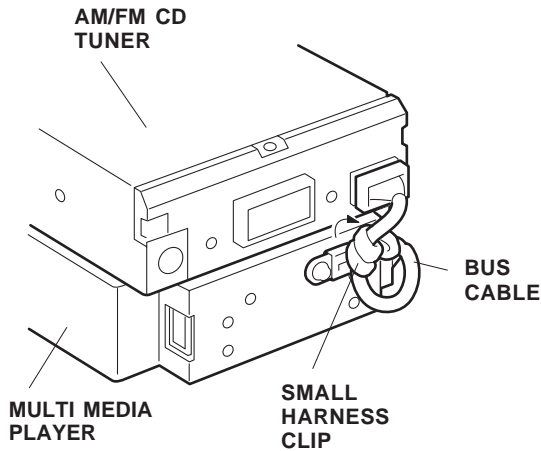
Multi Media Player

- Plug the BUS cable connectors into the rear of the AM/FM/CD tuner and Multi Media Player.
- Secure the small harness clip to the back of the Multi Media Player with the 4 x 8 mm washer-screw.



2626061K

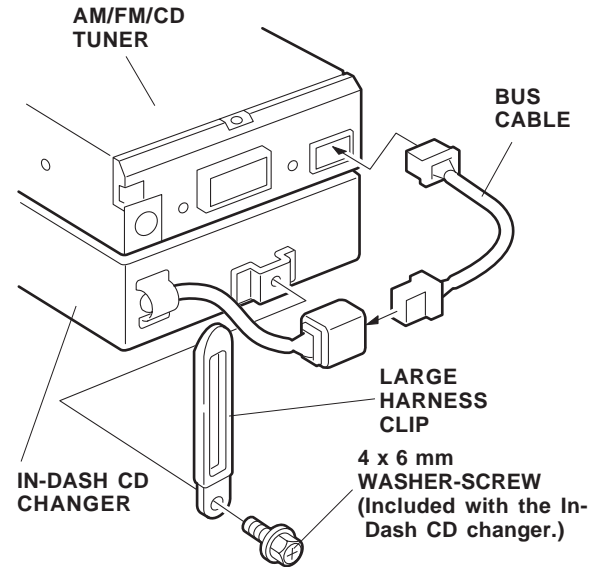
- Secure the BUS cable with the small harness clip.



2626070K

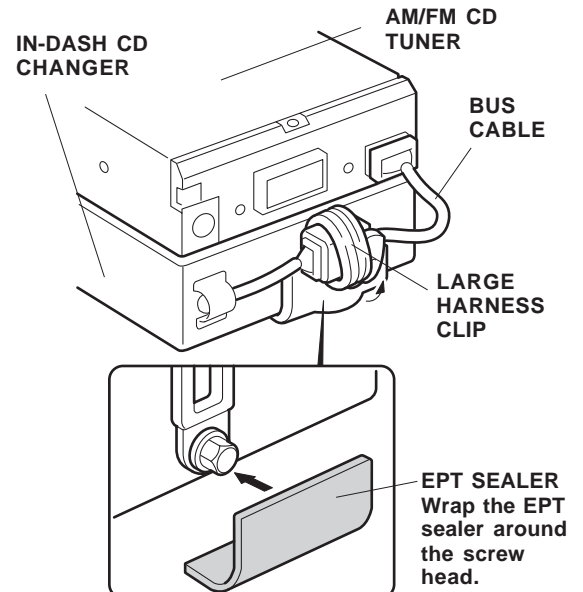
In-dash CD Changer

- Plug one BUS cable connector into the rear of the AM/FM/CD tuner and the other into the connector from the in-dash CD changer.
- Secure the large harness clip to the rear of the in-dash CD changer with the 4 x 6 mm washer-screw included with the In-Dash CD changer.



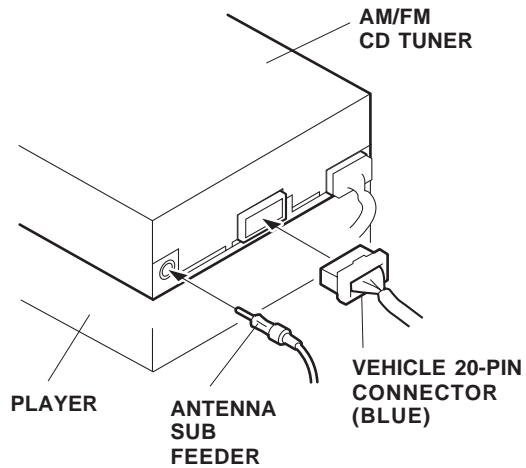
2626081K

- Secure the BUS cable connectors to the in-Dash CD changer with the large harness clip. Get the EPT sealer from the attachment kit. Wrap the EPT sealer around the screw head in the area shown.

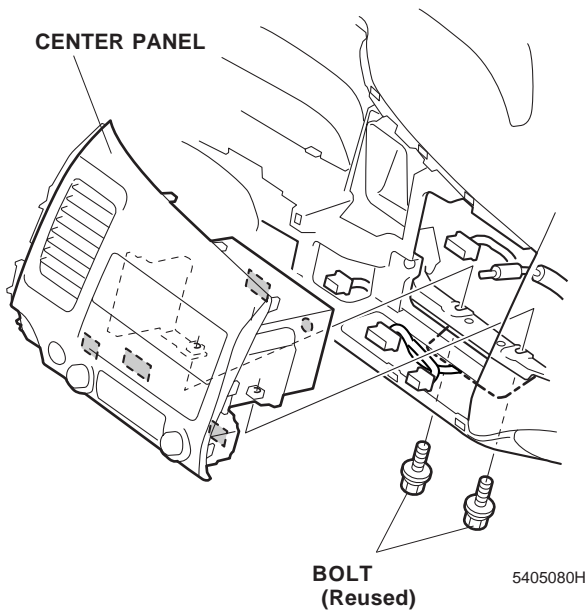


2626091K

18. Plug the vehicle 20-pin connector (blue) and antenna subfeeder into the rear of the AM/FM/CD Tuner.



19. Connect the vehicle connectors to the center panel, and reinstall the center panel.



20. Check that all wire harnesses are routed properly and all connectors are plugged in.
21. Reinstall all removed parts. Be sure that all retaining clips and tabs are securely fastened.
22. Reconnect the negative cable to the battery.
23. Reset the clock and the radio station presets.
24. Check the operation of the player as described in the User's information supplied.
25. Put the player User's information in the glove box for your customer.

NOTE: When the battery is disconnected, the driver's window AUTO function is disabled.

- Start the engine. Push down on the driver's window switch until the window is fully open.
- Pull up on the driver's window switch to close the window completely, then hold the switch for 2 seconds or more.
- Lower and raise the driver's window to check operation of the driver's window AUTO function.