



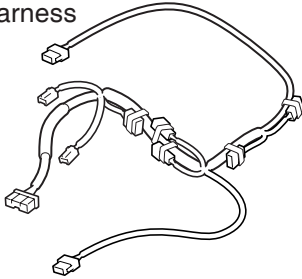
# INSTALLATION INSTRUCTIONS

Accessory	Application	Publications No.
<b>BASS SPEAKER SYSTEM ATTACHMENT</b>	<b>CIVIC 4-DOOR (DX, LX, EX)</b>	<b>All 29186</b>
		Issue Date <b>SEP 2005</b>

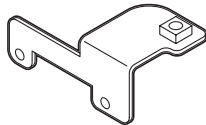
## PARTS LIST

**Bass Speaker System Attachment Kit  
(sold separately)  
P/N 08B54-SNA-100**

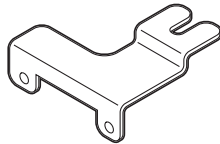
Bass speaker system wire harness



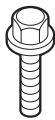
Right bracket



Left bracket



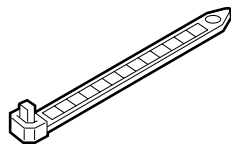
2 Washer-bolts, 6 x 16 mm



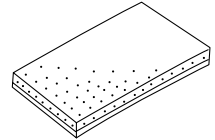
Clip nut



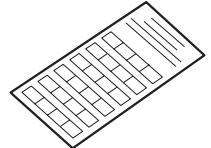
10 Wire ties



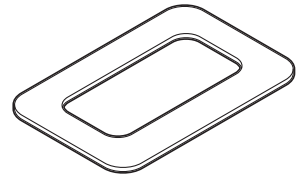
5 EPT sealers



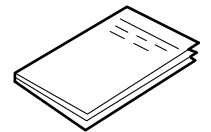
Fuse seal



Oval cushion

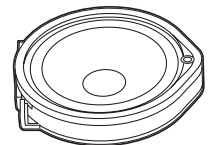


User's information

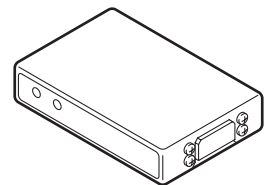


**Bass Speaker System Kit (sold separately)  
P/N 08A54-SNA-100**

2 Bass speakers



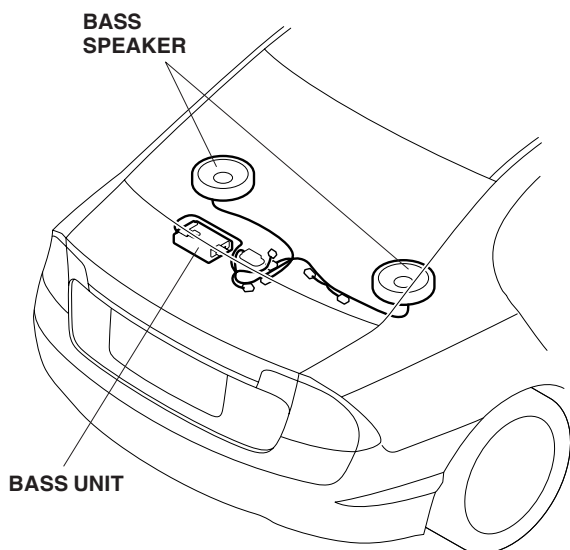
Bass unit



## TOOLS AND SUPPLIES REQUIRED

Phillips screwdriver  
Flat-tip screwdriver  
10 mm and 8 mm wrenches  
Shop towel  
Isopropyl alcohol

## Illustration of the Bass Speaker System Installed on the Vehicle



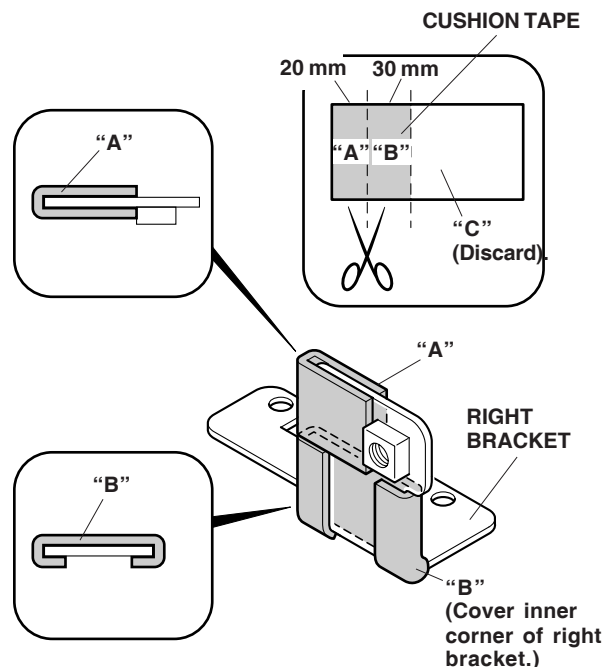
## INSTALLATION

**Customer information:** The information in this installation instruction is intended for use only by skilled technicians who have the proper tools, equipment, and training to correctly and safely add equipment to your vehicle. These procedures should not be attempted by "do-it-yourselfers".

1. Make sure you have the anti-theft code for the radio, then write down the frequencies for the preset buttons.
2. Disconnect the negative cable from the battery.

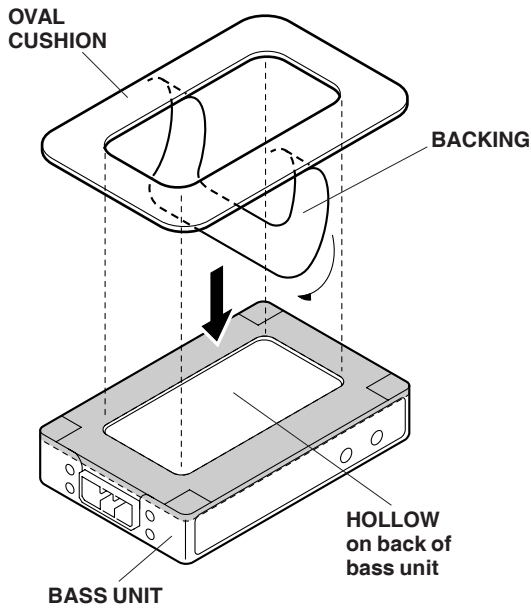
## Installing the Bass Unit

3. Get the right bracket and one cushion tape. Confirm where the cushion tapes will attach onto the right bracket, then clean the area with isopropyl alcohol on a shop towel.

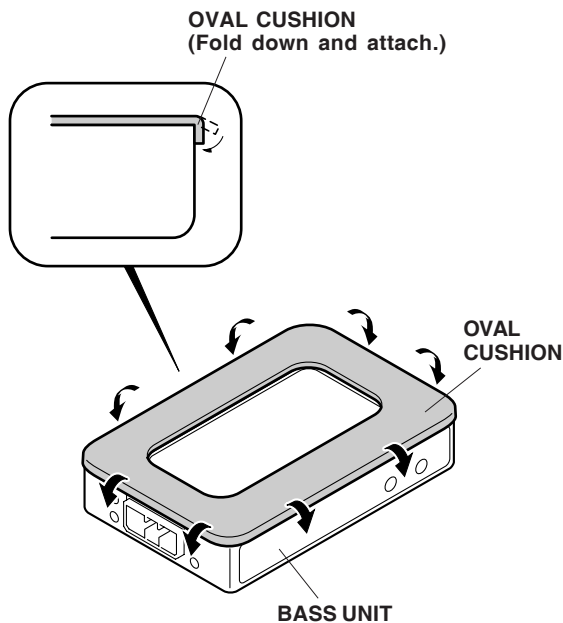


4. Using scissors, cut a cushion tape into three pieces "A," "B," and "C". Discard piece "C."
5. Position and install pieces "A" and "B" on the right bracket as shown. Be sure to cover the inner corner of the right bracket with cushion "B."

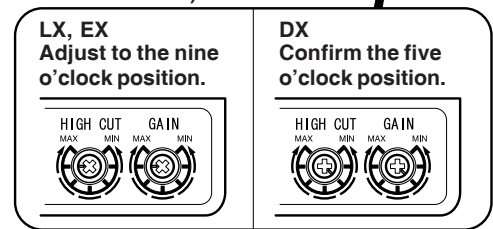
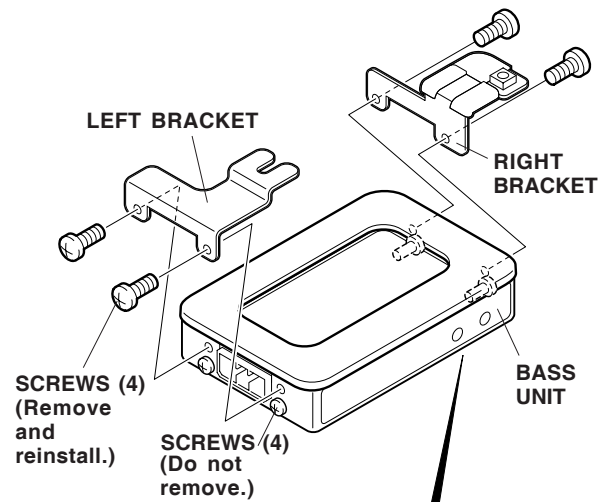
- Clean the back of the bass unit with isopropyl alcohol on a shop towel. Be sure to clean the outer edge on the back of the bass unit as well.



- Align the inner circle of the oval cushion with the hollow edge on the back of the bass unit, then attach the oval cushion to the bass unit.
- Fold the excess part of the oval cushion around the edge of the bass unit.



- Remove the four screws shown from the bass unit, and secure the right and left brackets to the bass unit with the four screws.



“HIGH CUT” AND “GAIN” ADJUSTMENTS

- DX**  
Confirm that the HIGH CUT and GAIN adjustments on the bass unit point at the five o'clock position.

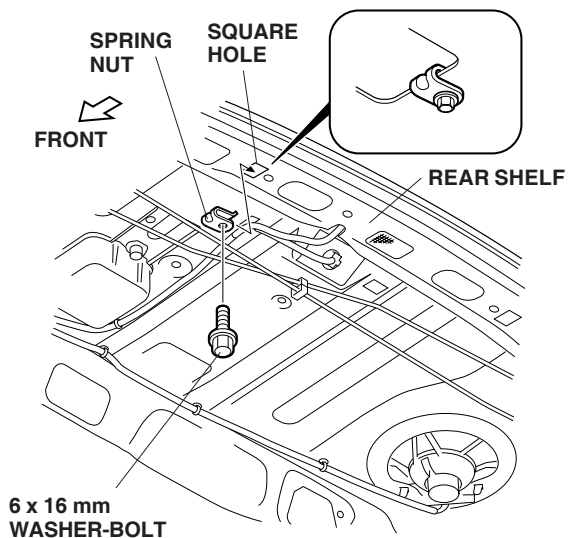
**LX, EX**

Adjust the HIGH CUT and GAIN adjustments on the bass unit to the nine o'clock position.

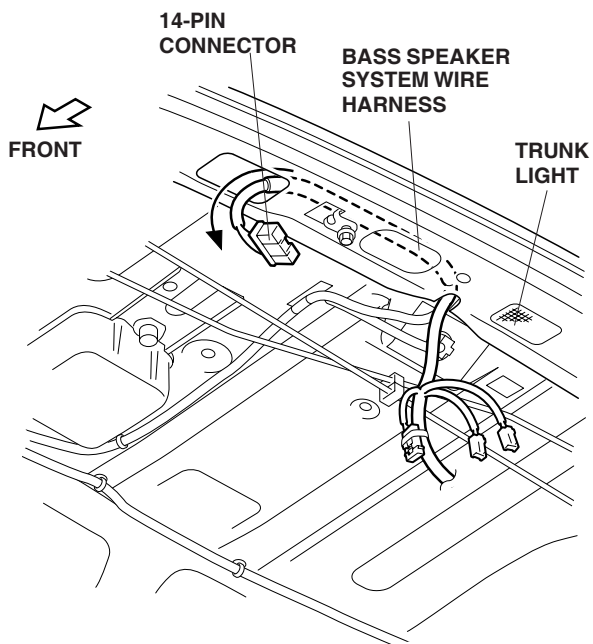
**NOTE:**

These settings are used with the audio/navigation unit adjusted to factory settings. (See step 42 and the user's information.)

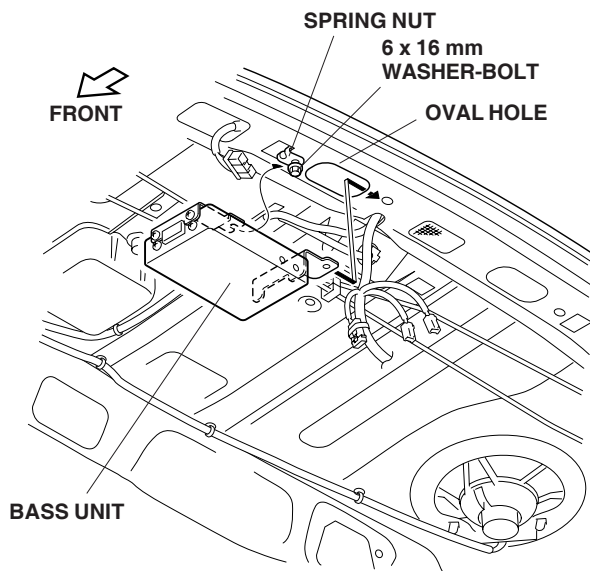
- Open the trunk lid. Slide one spring nut onto the square hole in the driver's side of the rear shelf.



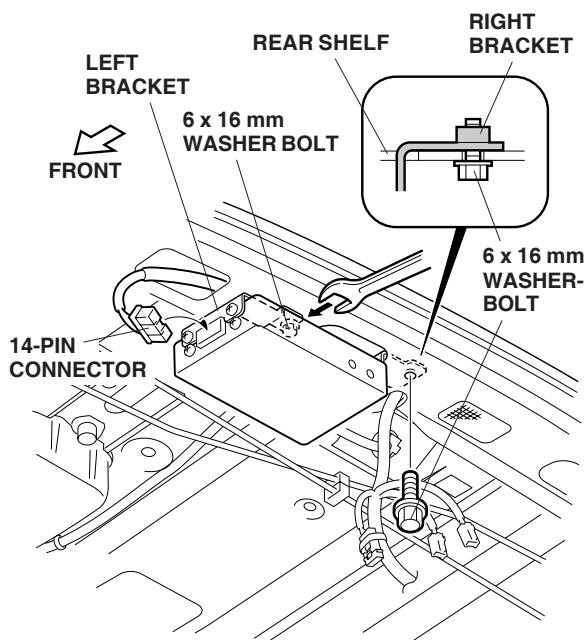
- Loosely install a 6 x 16 mm washer-bolt into the spring nut.
- Route the bass speaker system wire harness 14-pin connector through the rear shelf area.



- Place the edge of the right bracket into the oval hole. Slide the notch on the left bracket onto the 6 x 16 mm washer-bolt.



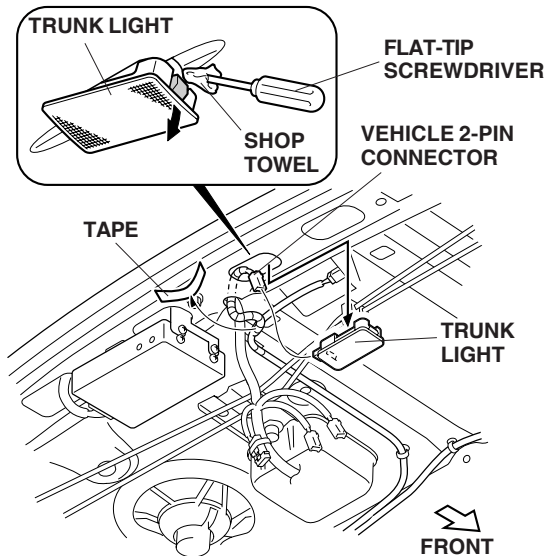
- Thread the other 6 x 16 mm bolt through the rear shelf and into the right bracket.
- Tighten the two 6 x 16 mm washer-bolts.



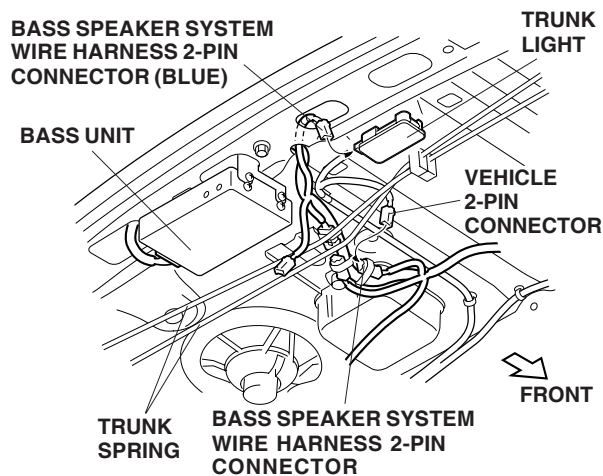
- Plug the bass speaker system wire harness 14-pin connector into the bass unit.

## Routing the Bass Speaker System Wire Harness

- Remove the tape wrapped around the trunk light harness to free the harness.

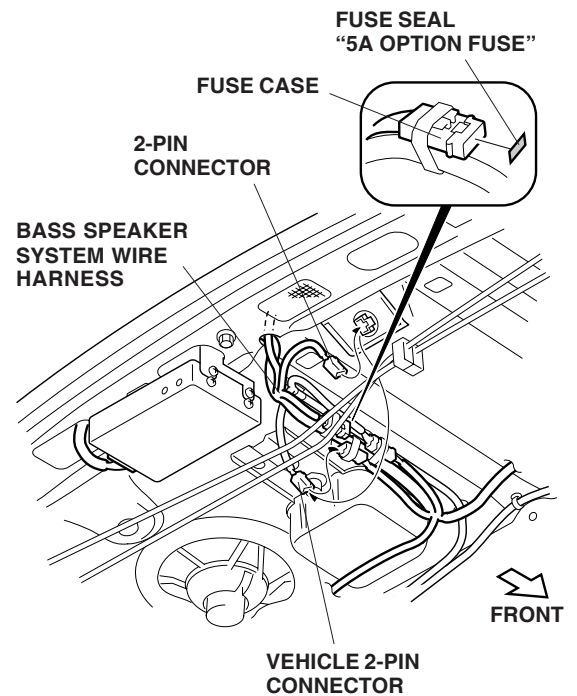


- Using a flat-tip screwdriver wrapped with a shop towel, remove the trunk light (two tabs), and unplug the vehicle 2-pin connector.
- Put the bass speaker system wire harness 2-pin connector (blue) through the rear shelf as shown, then reinstall the trunk light.



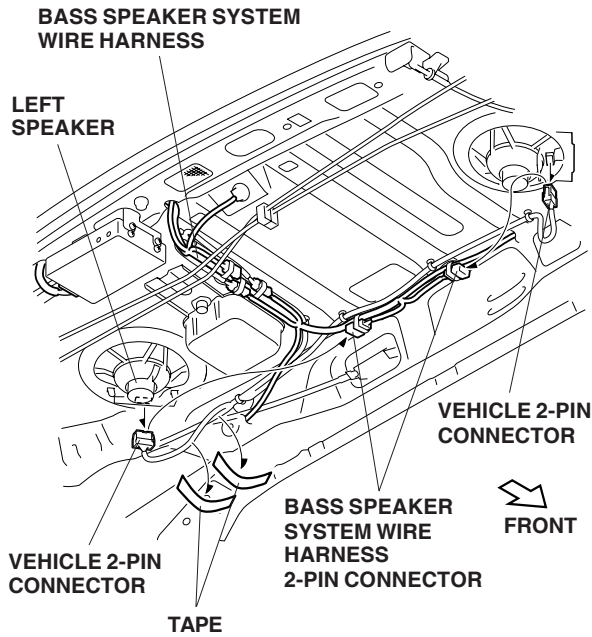
- Plug the vehicle 2-pin connector into the bass speaker system wire harness 2-pin connector (blue).
- Route the bass speaker system wire harness over the trunk springs.

- Unplug the vehicle 2-pin connector from the high-mount brake light, and plug the 2-pin connector from the bass speaker system wire harness into the high-mount brake light.



- Route the vehicle 2-pin connector over the trunk springs, and plug it into the bass speaker system wire harness 2-pin connector.
- Attach the "5A OPTION FUSE" label to the fuse case taped to the bass speaker system wire harness.

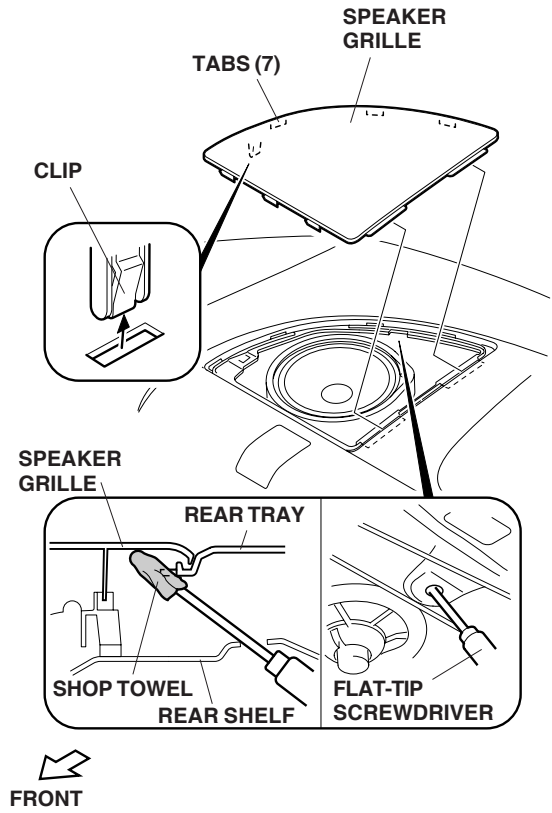
26. Remove the two pieces of tape that secure the vehicle left speaker wire.



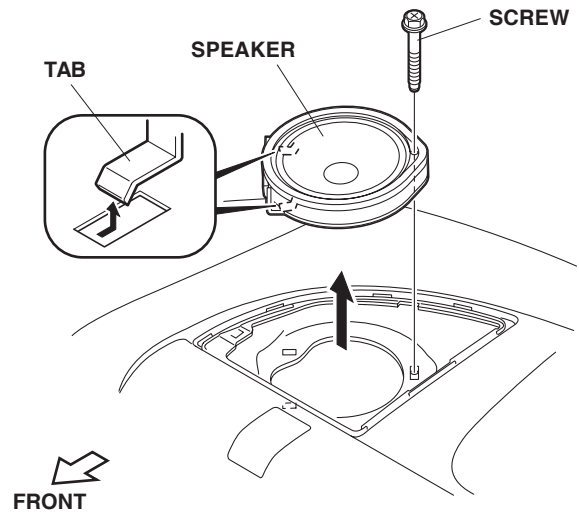
27. Unplug the right and left speaker wires from the speakers, and plug the vehicle speaker wire 2-pin connectors into the bass speaker system wire harness 2-pin connectors.

### Installing the Bass Speakers

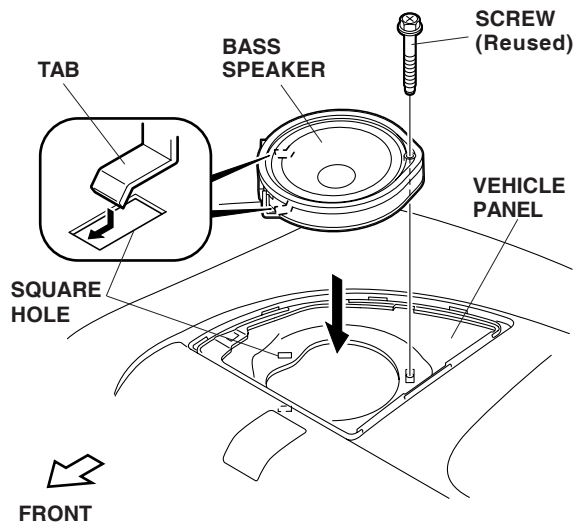
28. Insert a flat-tip screwdriver wrapped with a shop towel into the hole in the rear shelf, and remove the right speaker grille (one clip, seven tabs). Remove the left speaker grille the same way.



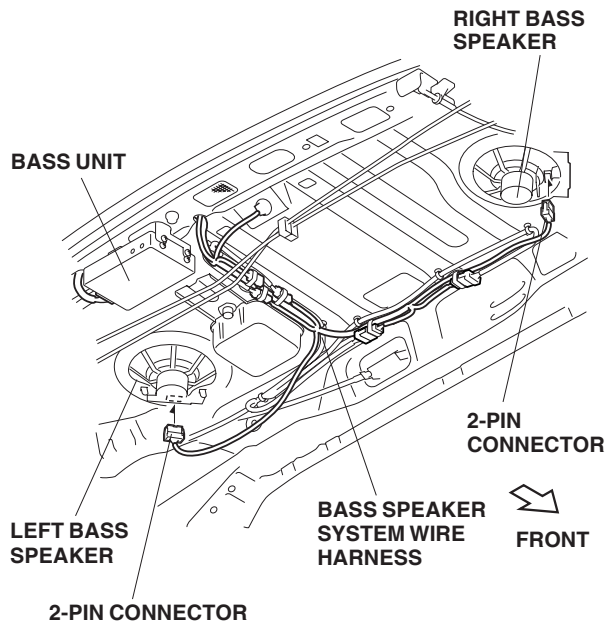
29. Remove the right and left speakers (one screw for each speaker).



30. Install the right and left bass speakers using the screws removed in step 29.

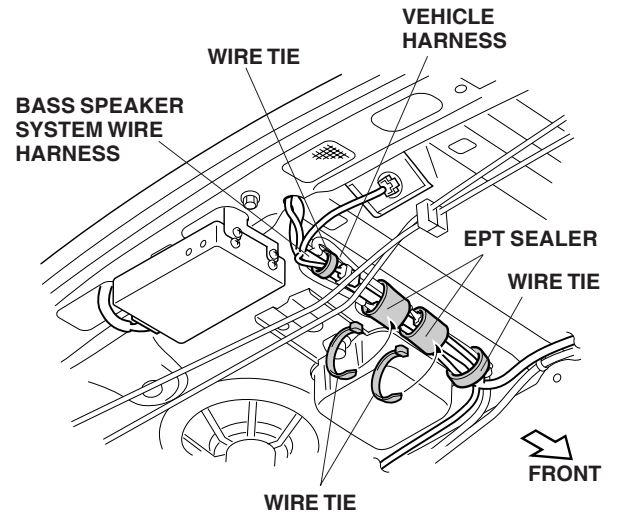


31. Plug the bass speaker system wire harness 2-pin connectors into the right and left bass speakers.

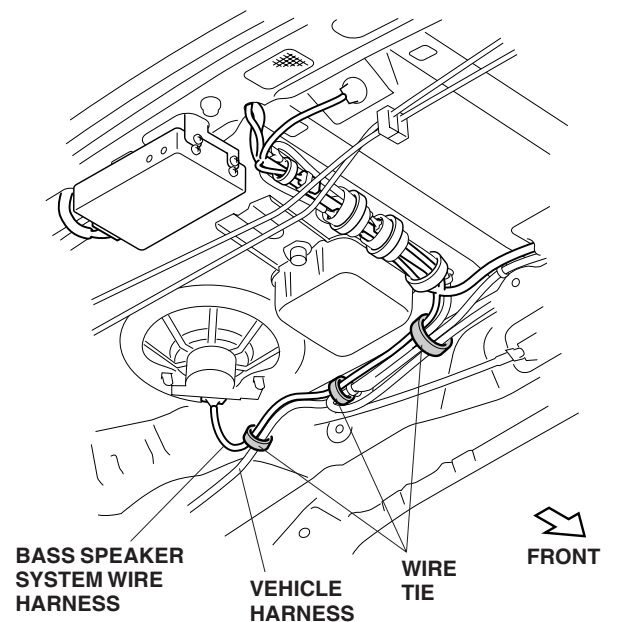


### Securing the Bass Speaker System Wire Harness

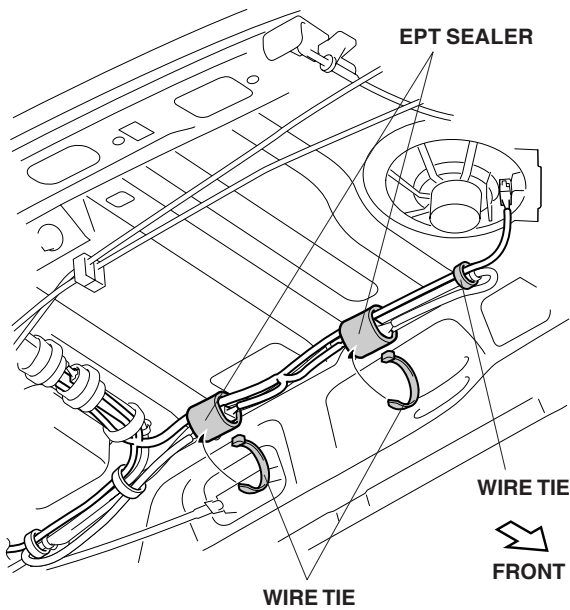
32. Wrap one EPT sealer around each connector in the area shown, then secure the bass speaker system wire harness to the vehicle harness using two wire ties over the EPT sealers.



33. Using two wire ties, secure the bass speaker system wire harness to the vehicle harness.
34. Using three wire ties, secure the bass speaker system wire harness to the vehicle harness in the areas shown.



35. Wrap an EPT sealer around each 2-pin connector in the areas shown, then secure the bass speaker system wire harness to the vehicle harness with two wire ties over the EPT sealers.



36. Using an additional wire tie, secure the bass speaker system wire harness to the vehicle harness in the area shown.
37. Make sure that the bass speaker system wire harness does not interfere with the trunk springs during closing and opening of the trunk lid.
38. Check that all wire harnesses are routed properly and all connectors are plugged in.
39. Reconnect the negative cable to the battery.
40. Reinstall all removed parts.
41. Enter the customer's radio anti-theft code, and reset the radio station presets.
42. Be sure to set all the volume control adjustments on the vehicle audio/navigation unit, such as BASS, TREBLE, FAD, BALANCE and so on, as the factory-set.

**NOTE:** When the battery is disconnected, the driver's window AUTO function is disabled.

- Start the engine. Push down on the driver's window switch until the window is fully open.
- Pull up on the driver's window switch to close the window completely, then hold the switch for 2 seconds or more.
- Lower and raise the driver's window to check operation of the driver's window AUTO function.