



# INSTALLATION INSTRUCTIONS

Accessory  
**CD CHANGER ATTACHMENT**

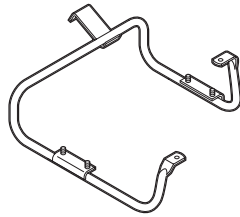
Application  
**CIVIC  
2 DOOR**

Publications No.  
**All 30854**  
Issue Date  
**SEP 2005**

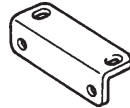
## PARTS LIST

**CD Changer Attachment (Sold Separately):  
P/N 08B26-SVA-100**

CD changer bracket



2 Side brackets



3 Clip nuts



3 EPT seals



3 Washer-bolts



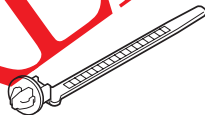
4 Flange nuts



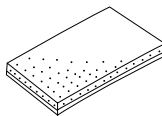
15 Wire ties



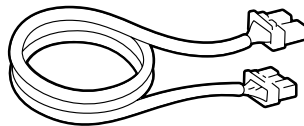
2 Wire ties with clip



9 Cushion tapes



BUS cable

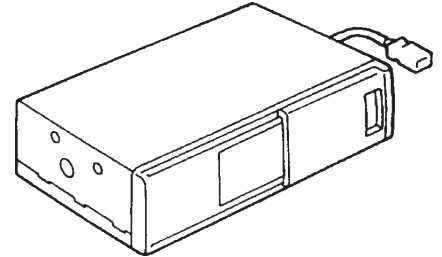


4 Washer screws

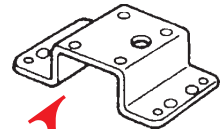


**CD Changer Kit (sold separately):  
P/N 08A26-5E1-100**

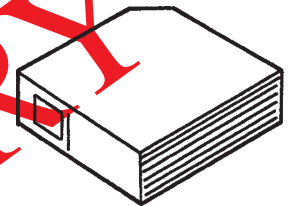
CD changer



Bracket



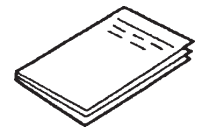
8-Disc CD magazine



8 Washer-screws, 4 x 6 mm



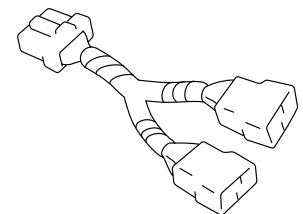
User's information



**If you equip with XM radio system**

**Bus Cable 2 Port (sold separately):  
P/N 08A31-0F1-000**

BUS cable 2 Port

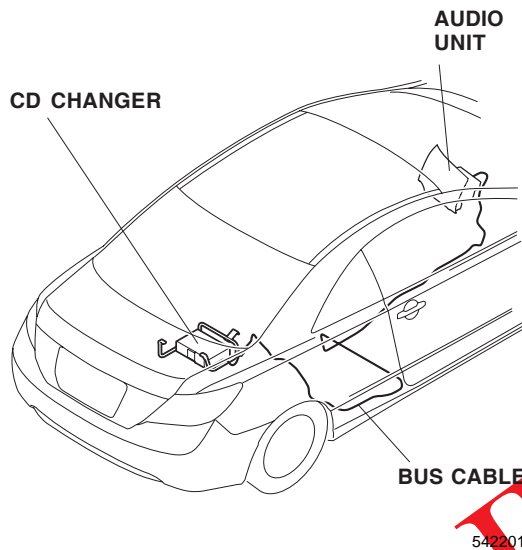


PRELIMINARY

## TOOLS REQUIRED

Phillips screwdriver  
Flat-tip screwdriver  
Stubby Phillips screwdriver  
8 mm, 10 mm and 14 mm Combination wrenches  
Clip remover  
8 mm, 10 mm and 14 mm Sockets  
Ratchet  
Small flat-tip screwdriver  
Contact cleaner  
Shop towel  
Masking tape

## Illustration of the CD Changer Installed on the Vehicle

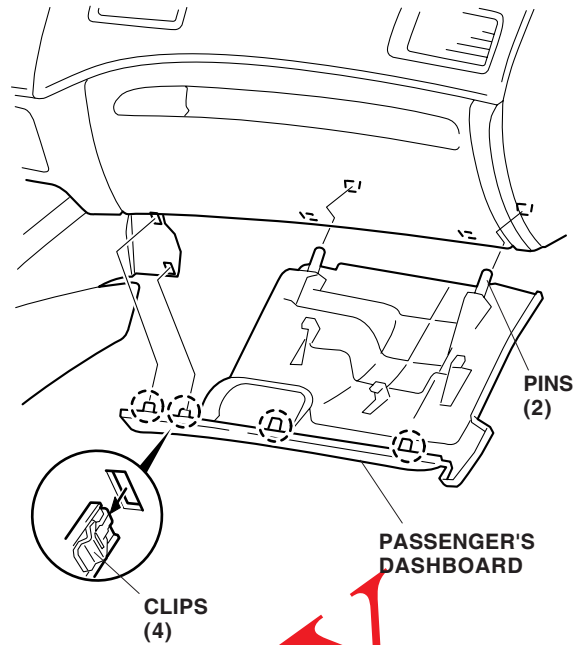


## INSTALLATION

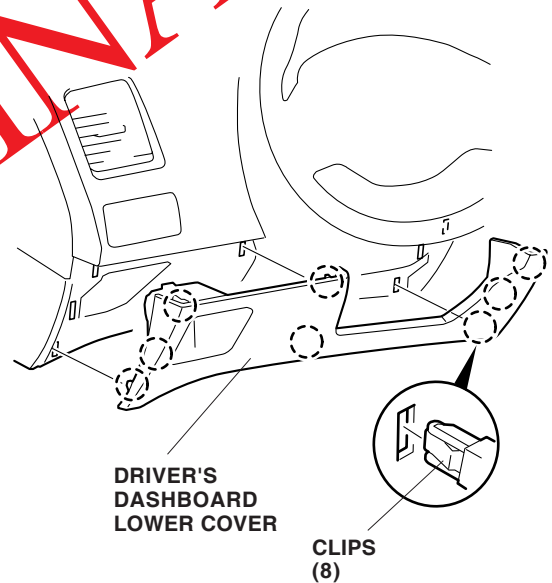
**Customer Information:** The information in this installation instruction is intended for use only by skilled technicians who have the proper tools, equipment, and training to correctly and safely add equipment to your vehicle. These procedures should not be attempted by "do-it-yourselfers".

1. Make sure you have the anti-theft code for the radio, then write down the frequencies for the preset buttons.
2. Disconnect the negative cable from the battery.

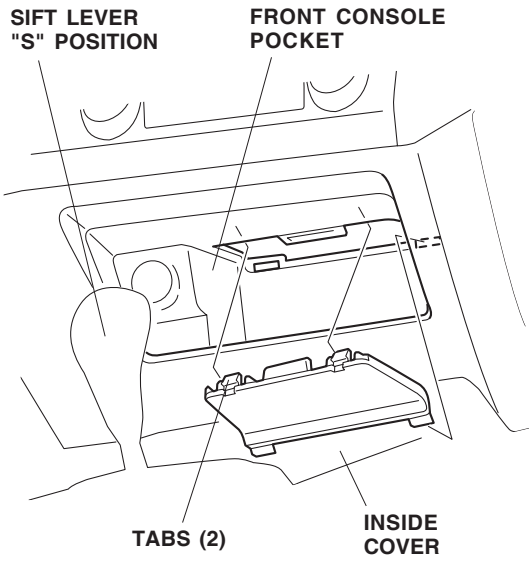
3. Remove the passenger's dashboard lower cover (four clips, and two pins).



4. Remove the driver's dashboard lower cover (eight clips).

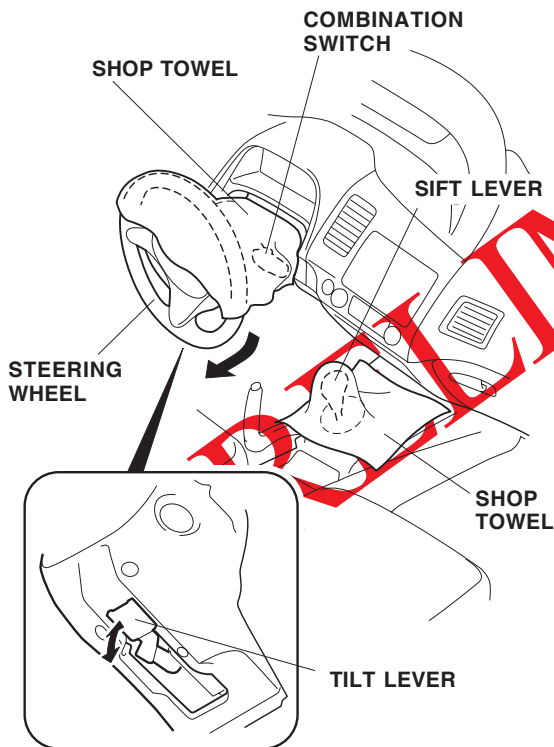


- Remove the inside cover from the front console pocket (two tabs).



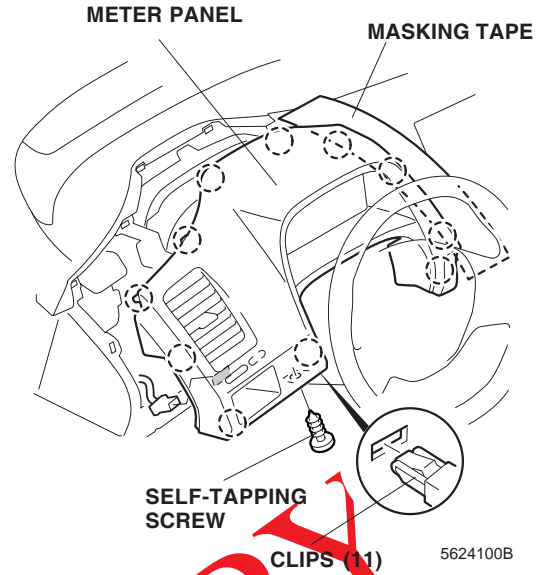
5202130T

- Lower the steering wheel lever and pull the steering toward you.



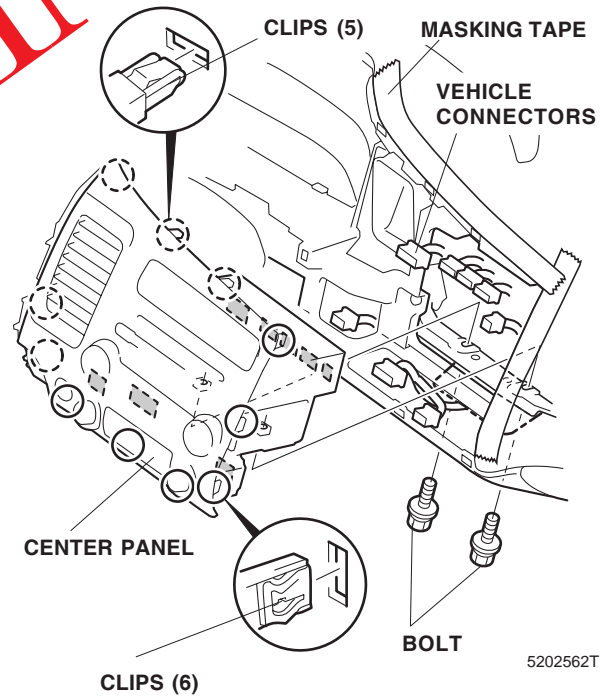
5608031H

- To protect the dashboard area, place a shop towel over the steering wheel and shift lever.
- Apply masking tape to the instrument panel as shown, and remove the instrument panel (one self-tapping screws, 11 clips, and one connector).



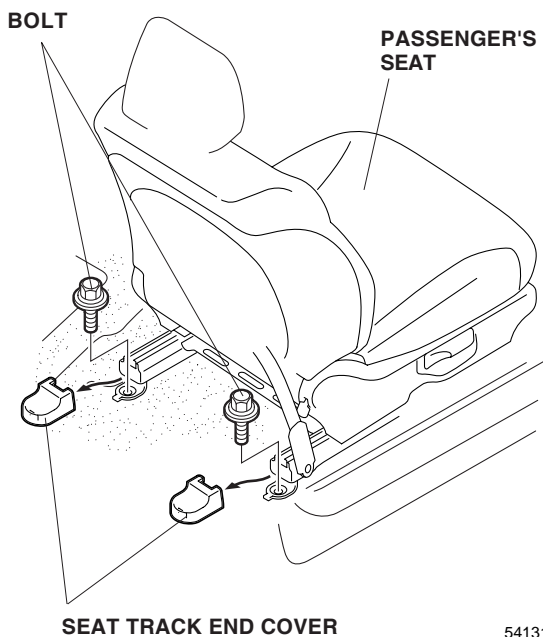
5624100B

- Apply masking tape to the instrument panel as shown, and remove the center panel (two bolts, ten retaining clips, and unplug the vehicle connectors).



5202562T

10. Remove the two seat track end covers from the rear side of the passenger's seat, then remove the two bolts that secure the passenger's seat.

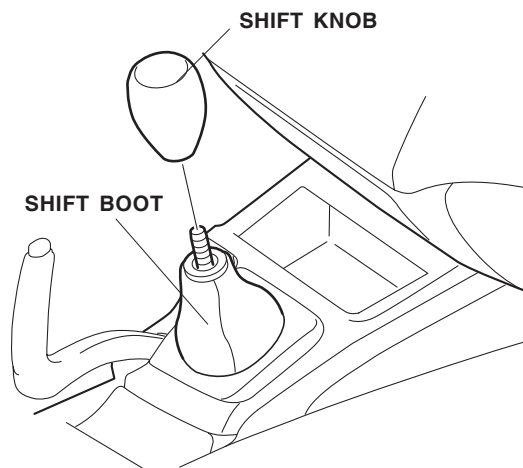


5413120H

11. Remove the center console cover:

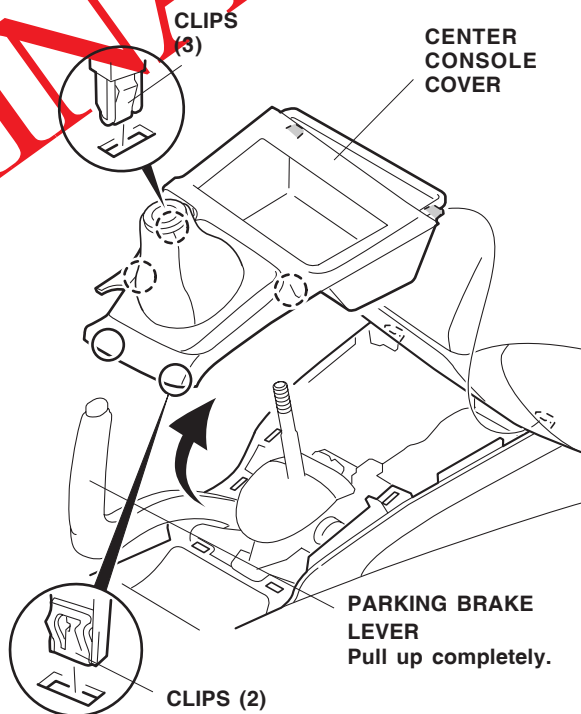
**M/T Vehicle**

- Pull down on the shift boot. Remove the shift knob by turning it counterclockwise.



5321061H

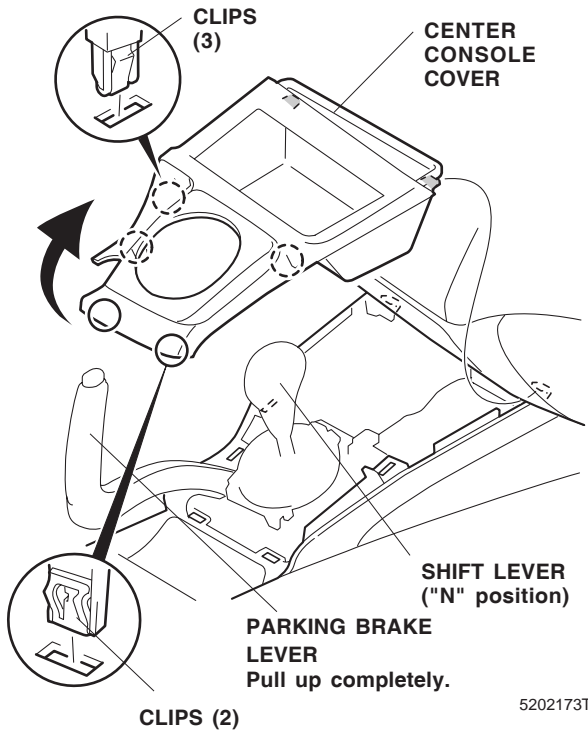
- Remove the center console cover by removing the five clips fastening the center console cover.



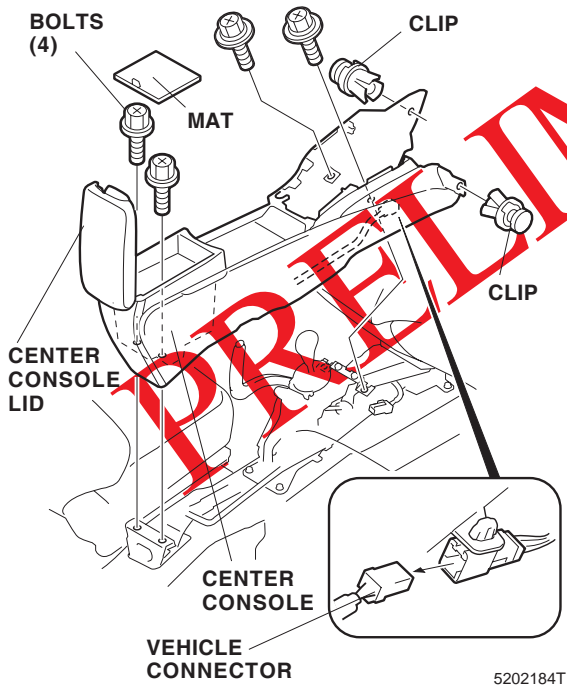
5321072H

**A/T Vehicle**

- Remove the center console cover (five clips).

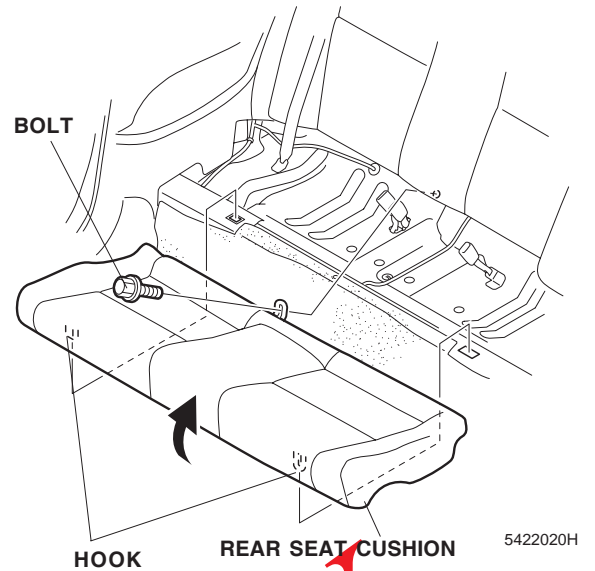


12. Open the center console lid, and remove the mat.

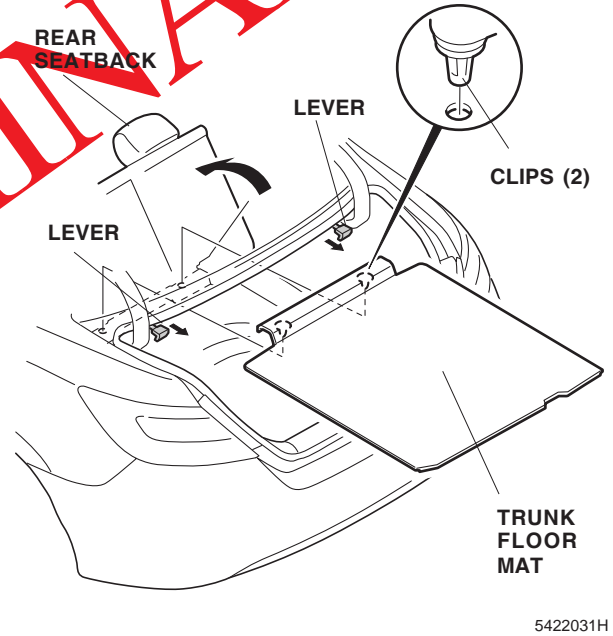


13. Remove the center console (four bolts, two clips, and the vehicle connector).

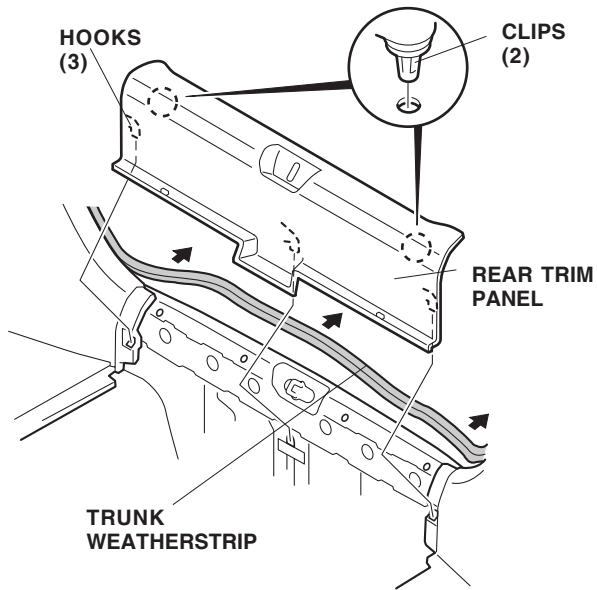
14. Inside the passenger's compartment area, remove the rear seat cushion by removing the bolt and releasing the two hooks.



15. Open the trunk lid, fold the rear seatback forward by pulling the levers under the rear parcel shelf. Remove the trunk floor mat (two clips).

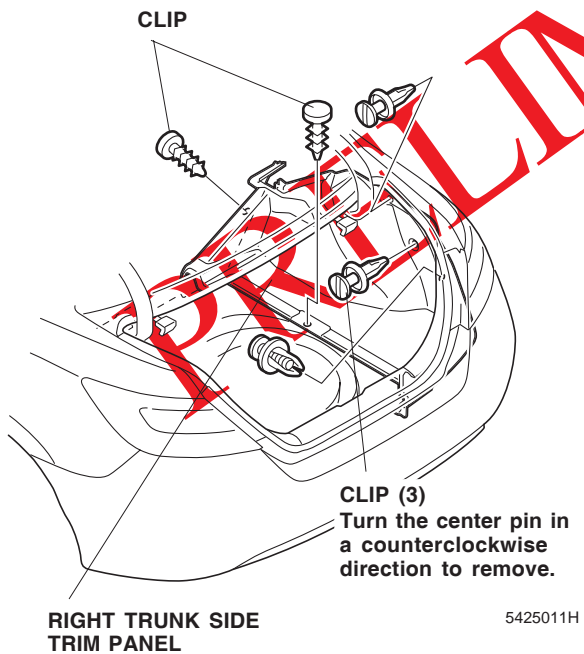


16. Remove the trunk weatherstrip from the edge of the trunk opening in the area shown.



5422042H

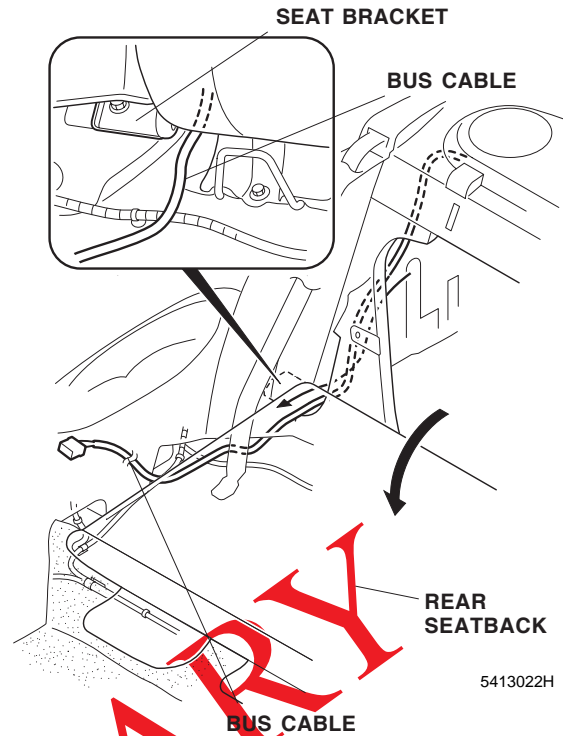
17. Remove the rear trim panel (two clips and three hooks).
18. Continue removing the weatherstrip in the area shown. Remove the five clips, then pull out on the right trunk side trim panel in the direction shown.



5425011H

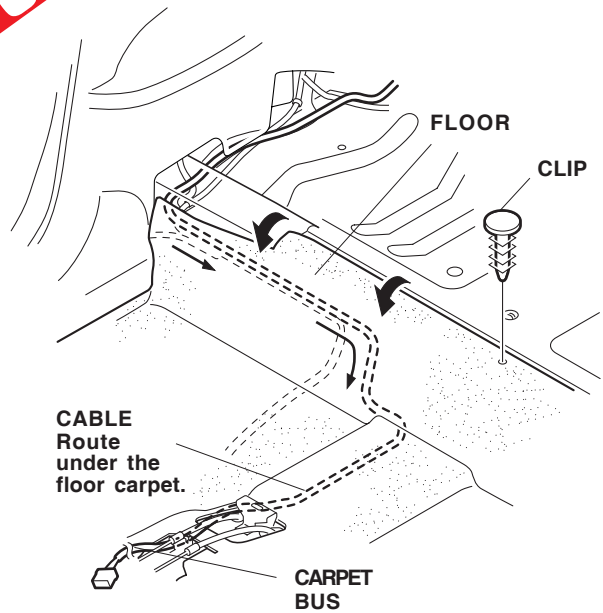
### Routing the BUS cable

19. Route the BUS cable from the trunk along the vehicle harness.



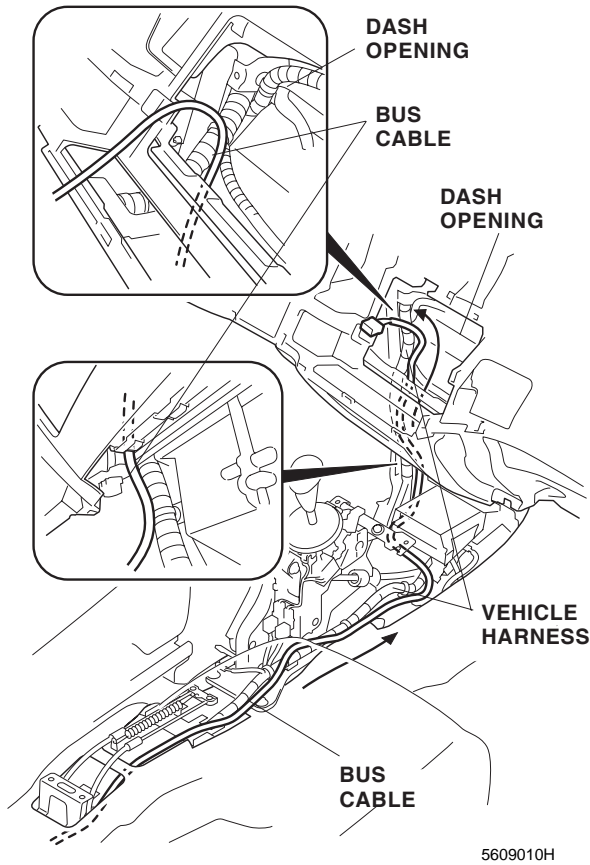
5413022H

20. Lift up and lock the right rear seatback, then remove the clip that secures the floor carpet. Pull back the floor carpet

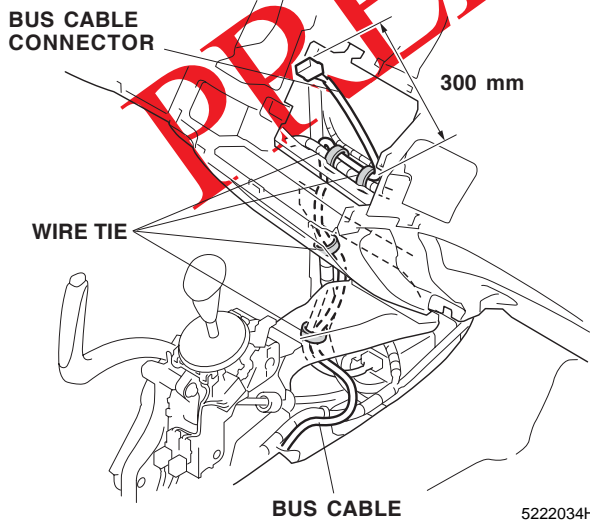


5413032H

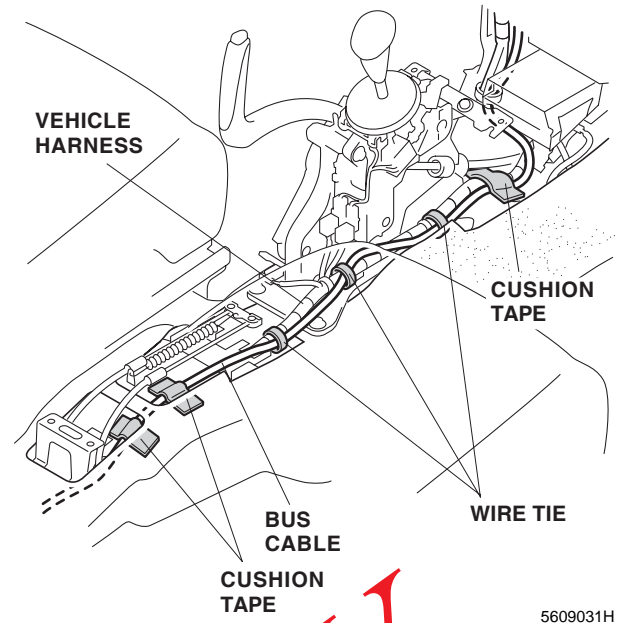
21. Route the BUS cable forward to the right front console frame along the vehicle harness.



22. Continue routing the BUS cable to the dashboard and out through the dash opening.
23. Measure 300 mm from the end of the BUS cable, then secure the BUS cable to the vehicle harness with four wire ties in the areas shown.

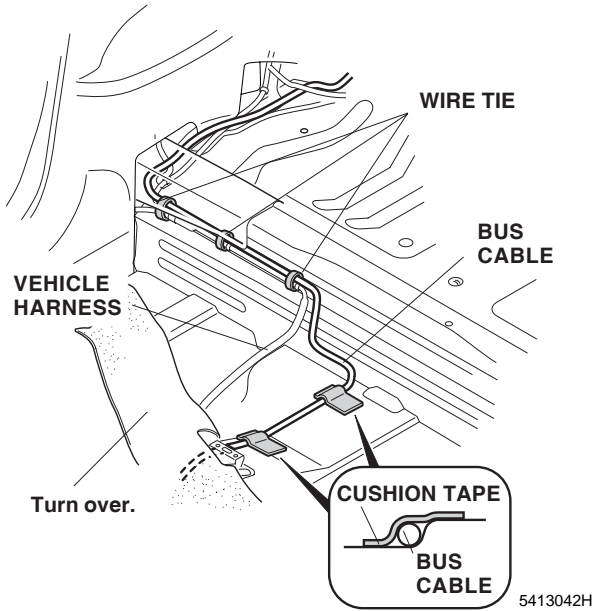


24. Along the center console area, secure the BUS cable to the vehicle harness with three wire ties.

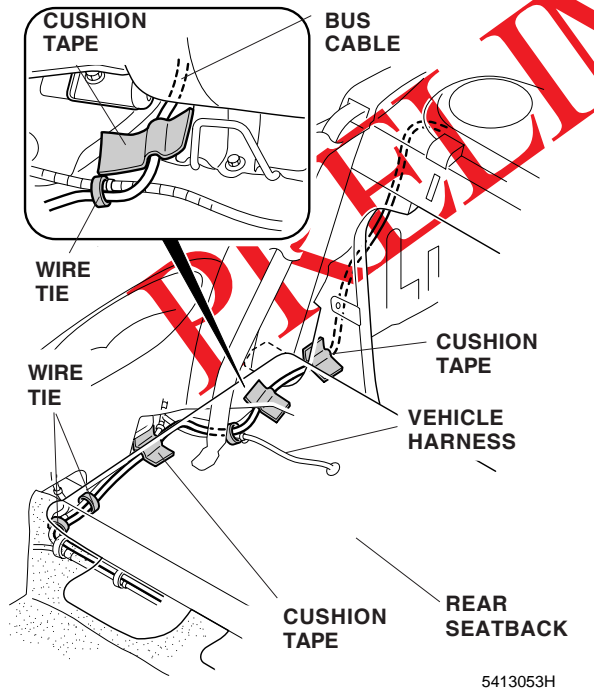


25. Using isopropyl alcohol on a shop towel, clean the areas where the cushion tape will attach. Attach the BUS cable to the floor panel with the three cushion tapes in the area shown.

26. Pull back the floor carpet, then attach the BUS cable to the floor panel with the two cushion tapes in the areas shown.
27. Secure the BUS cable to the vehicle harness with the three wire ties in the areas shown.

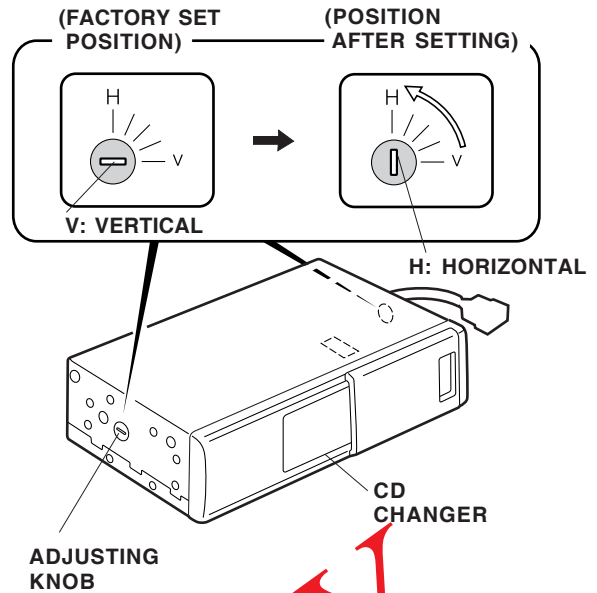


28. Secure the BUS cable to the vehicle harness with the two wire ties in the areas shown.
29. Attach the BUS cable to the floor panel with the three cushion tapes in the areas shown.

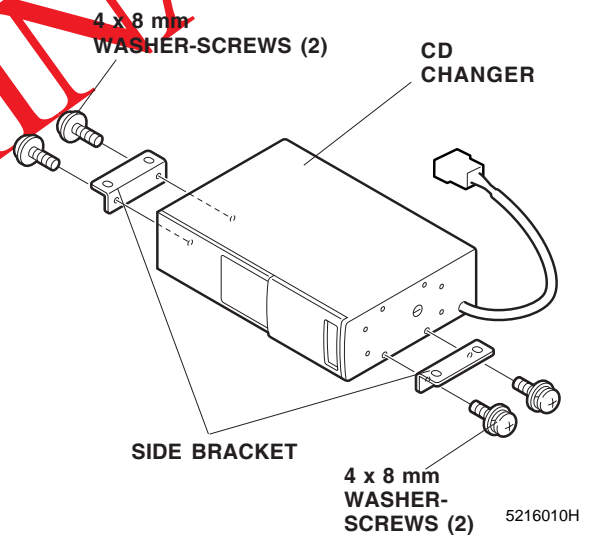


### Installing the CD Changer

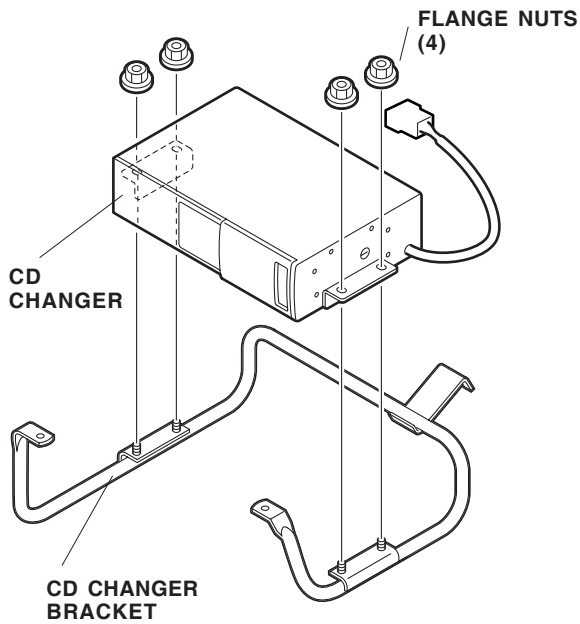
30. Using a flat-tip screw driver, set the adjustment knobs in the "H: HORIZONTAL" position.



31. Position the CD changer brackets on the sides of the CD changer, then install the four 4 x 8 mm washer-screws.

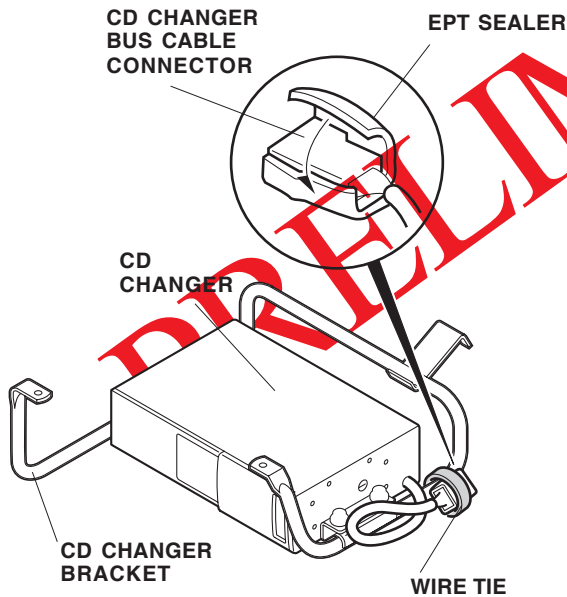


32. Position the CD changer on the CD changer bracket, then install and tighten the four 6 mm flange nuts.



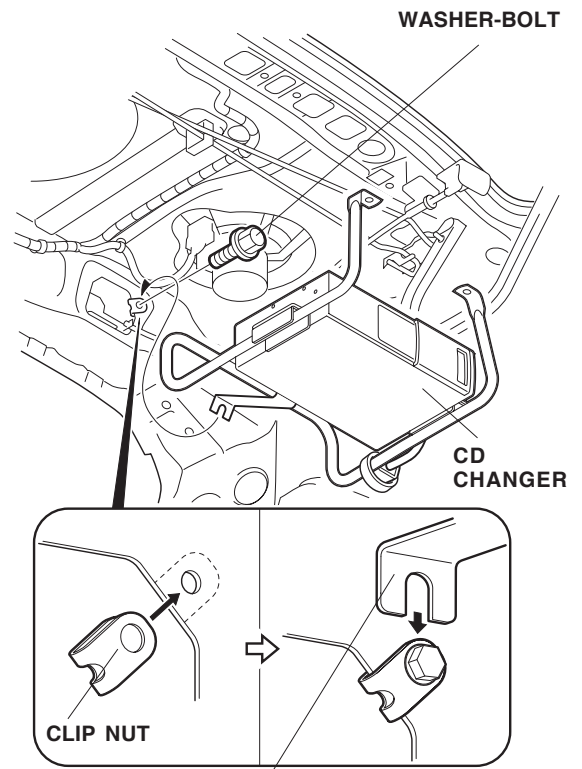
5413060H

33. Wrap one EPT sealer around the BUS cable connector from the CD changer, then secure the BUS cable and connector to the CD changer bracket with two wire ties.



5413070H

34. In the trunk, slide the clip nut into position on the rear seat panel through the hole in the panel. If necessary, spread the clip nut open with a small flat-tip screwdriver.

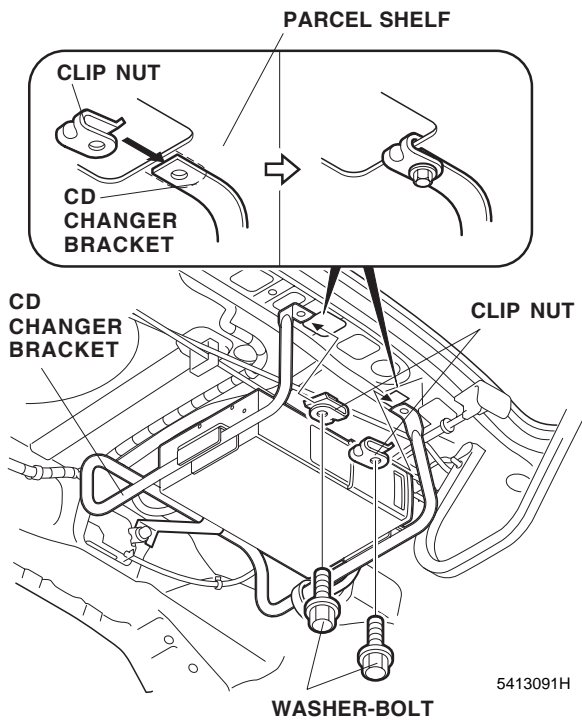


**CD CHANGER BRACKET**  
(Place the end of the bracket between the seat panel and clip nut you just installed.)

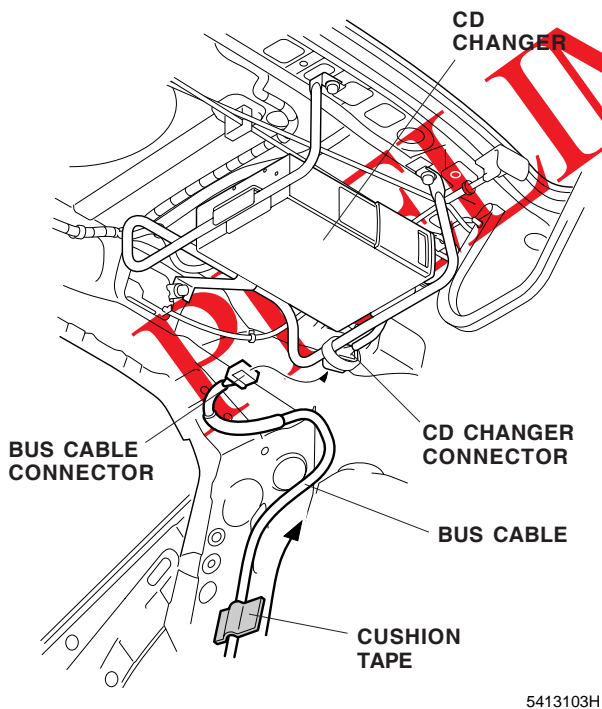
5413082H

35. Loosely install the washer-bolt to the rear seat panel first. Then, place the end of the CD changer bracket between the seat panel and clip nut you just installed.

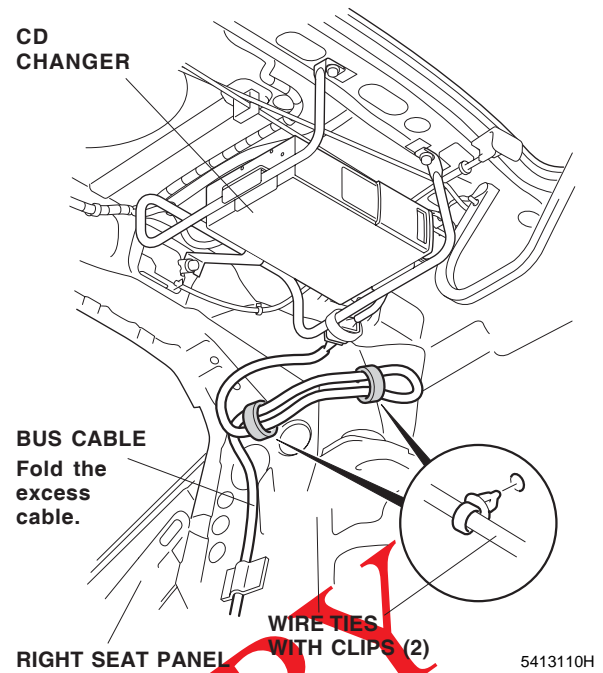
36. Slide the two clip nuts onto the CD changer bracket and parcel shelf through the holes in the parcel shelf, and align their holes as shown. Install the two washer-bolts and tighten them securely.



37. Connect the BUS cable connector to the connector on the CD changer.

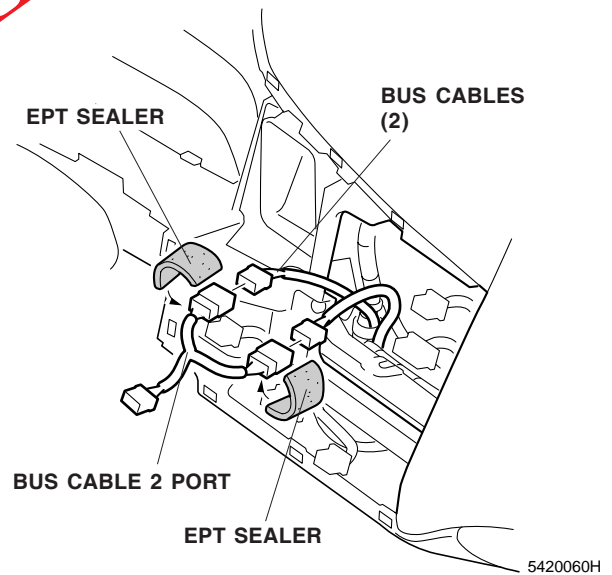


38. Fold the excess BUS cable, and secure the BUS cable to the holes in the rear seat panel with the two wire ties with clips.



*If the vehicle you're working on is equipped with XM radio, continue with step 39; otherwise, go to step 41.*

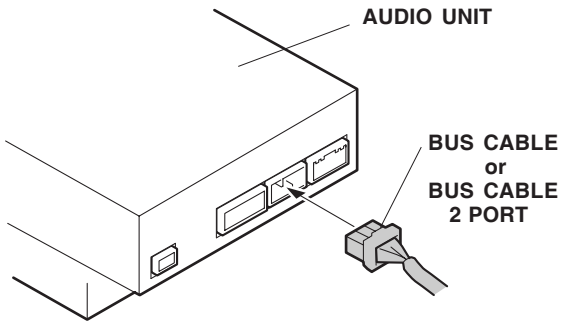
39. Plug the BUS cable 2 port connectors to the two BUS cables.



40. Wrap the two connectors with two EPT sealers.

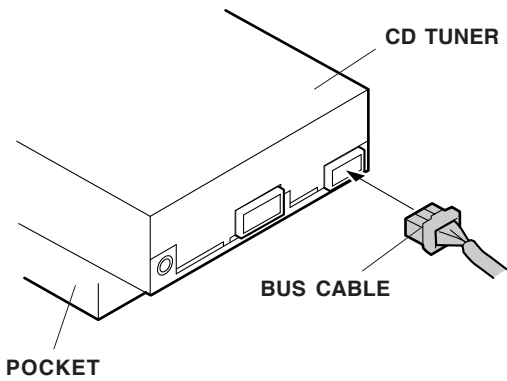
41. Plug the BUS cable connector into the rear of the head unit.

**< Standard Audio Unit >**



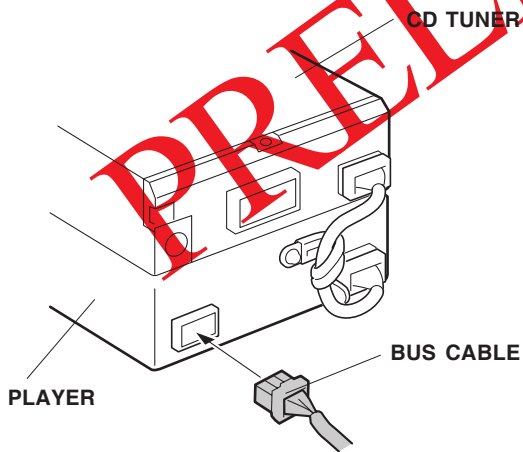
5801010H

**< Multi Control CD Tuner Unit >**



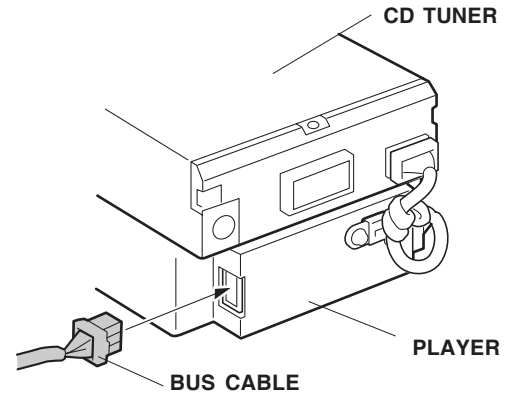
5801020H

**< CD Tuner with Cassette Player >**



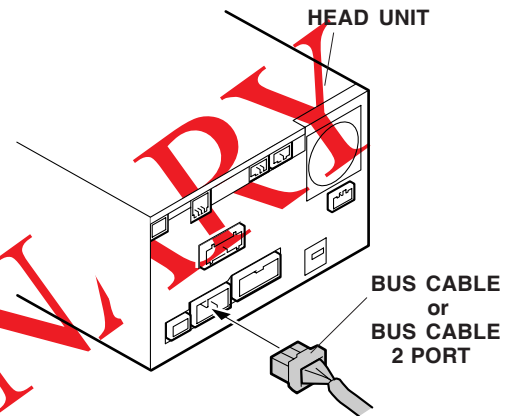
5826220H

**< CD Tuner with Media Player >**



5826210H

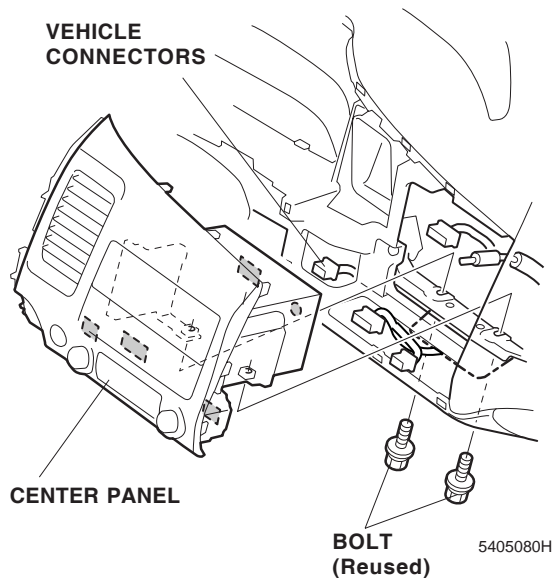
**< Navigation Head Unit >**



5801030H

**PRELIMINARY**

42. Connect the vehicle connectors to the center panel, and reinstall the center panel.



43. Check that all wire harnesses are routed properly and all connectors are plugged in.
44. Reconnect the negative cable to the battery.
45. Reset the clock and the radio station presets.
46. Check the operation of the CD changer as described in the User's information supplied.
47. Reinstall all removed parts.
48. Put the CD changer User's information in the glove box for your customer.

NOTE: When the battery is disconnected, the driver's window AUTO function is disabled.

- Start the engine. Push down on the driver's window switch until the window is fully open.
- Pull up on the driver's window switch to close the window completely, then hold the switch for 2 seconds or more.
- Lower and raise the driver's window to check operation of the driver's window AUTO function.