



# INSTALLATION INSTRUCTIONS

Accessory  
**FOG LIGHTS**  
P/N 08V31-SNA-100D

Application  
**2009 CIVIC**  
**4-DOOR**

Publications No.  
**All40362**  
Issue Date  
**AUG 2008**

## PARTS LIST

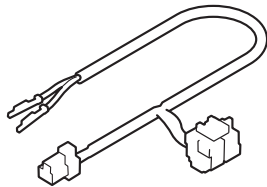
Right fog light



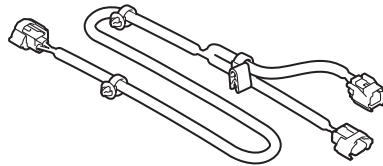
Left fog light



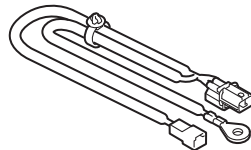
Switch harness



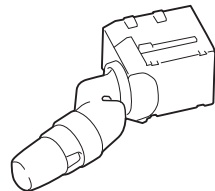
Fog light harness



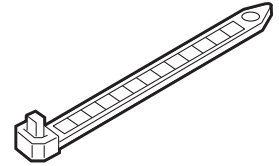
Sub harness



Combination light switch



6 Wire ties



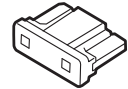
Clip



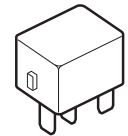
2 Self-tapping screws



20 A Fuse  
(Some may not used.)



Relay



Ground bolt



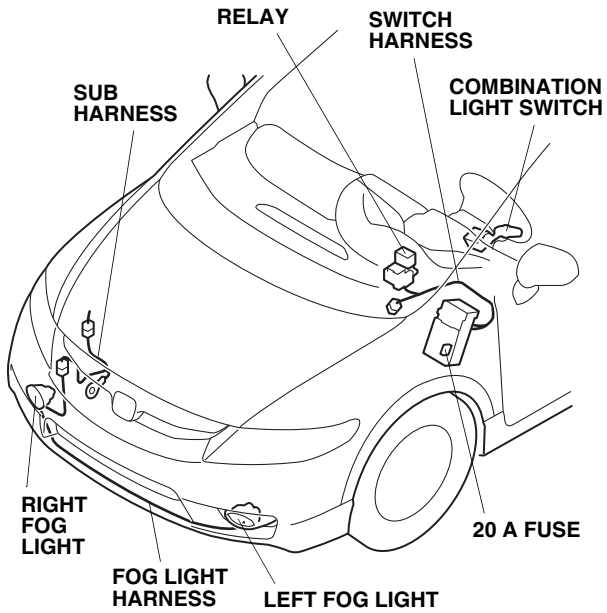
2 Spring nuts



## TOOLS AND SUPPLIES REQUIRED

Phillips screwdriver  
Flat-tip screwdriver  
Ratchet  
10 mm and 12 mm Sockets  
Blanket  
Diagonal cutters  
5 mm Hex wrench

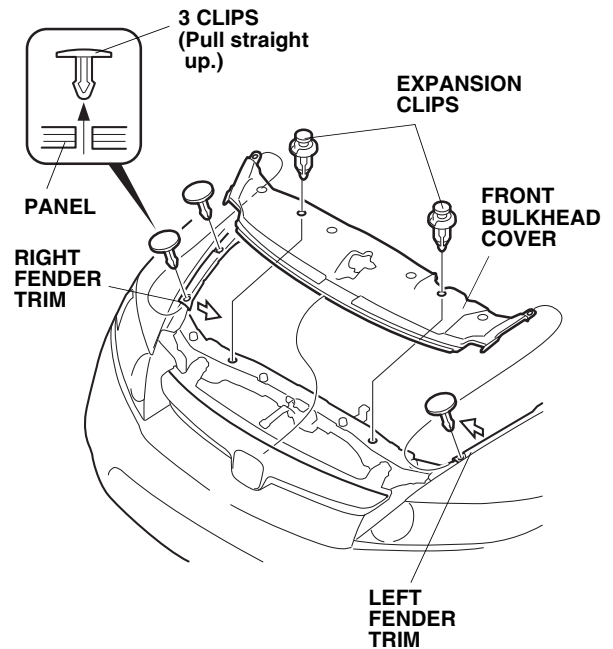
### *Illustration of Fog Lights installed on the vehicle*



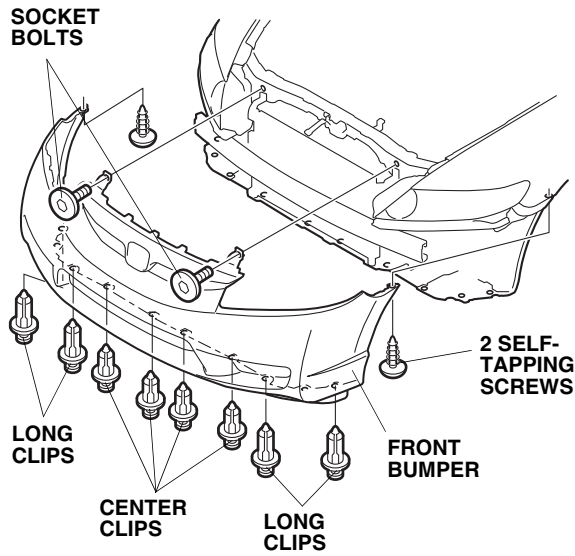
## INSTALLATION

**Customer Information:** The information in this installation instruction is intended for use only by skilled technicians who have the proper tools, equipment, and training to correctly and safely add equipment to your vehicle. These procedures should not be attempted by “do-it-yourselfers.”

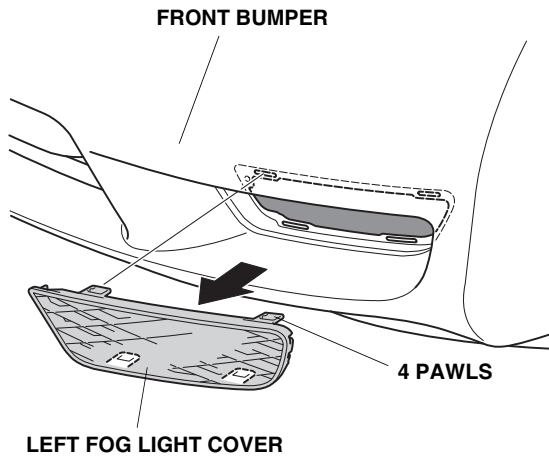
1. Make sure you have the anti-theft codes for the audio system and navigation system (if equipped), then write down the radio presets.
2. Disconnect the negative cable from the battery.
3. Remove the front bulkhead cover (two expansion clips, three clips, and move the right and left fender trims inward).



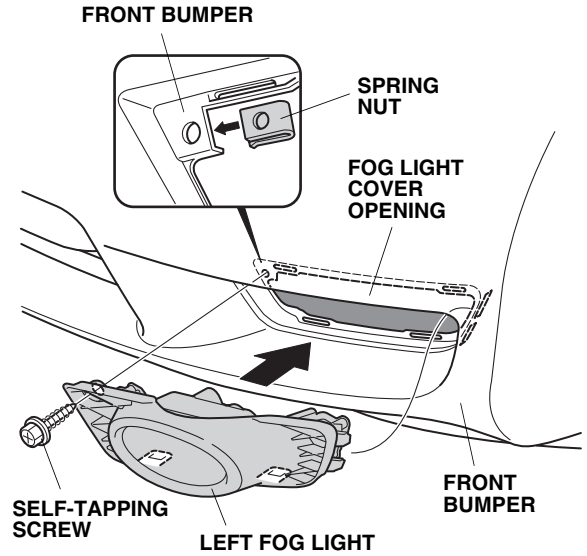
- With the help of an assistant, remove the front bumper (four long clips, four center clips, two socket bolts, and two self-tapping screws). To prevent damage, set the front bumper on a blanket.



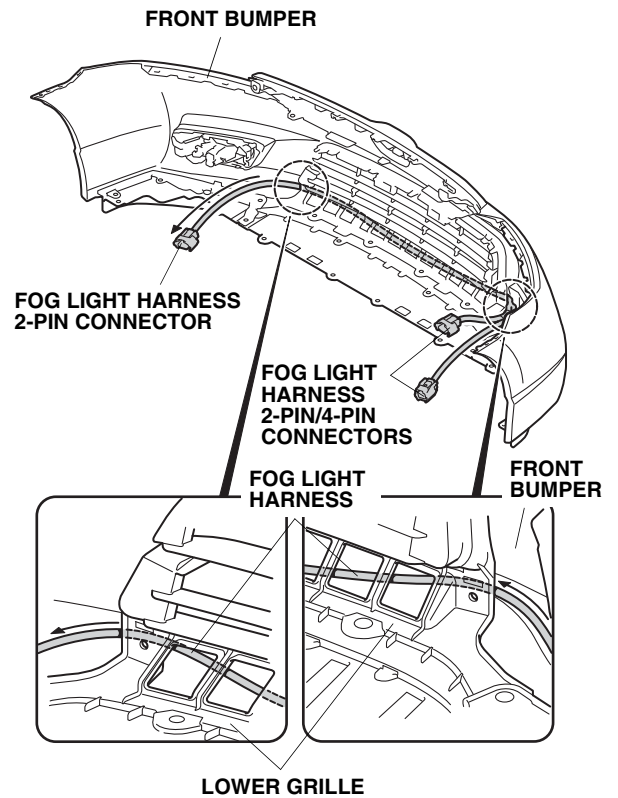
- Remove the left fog light cover (four pawls).



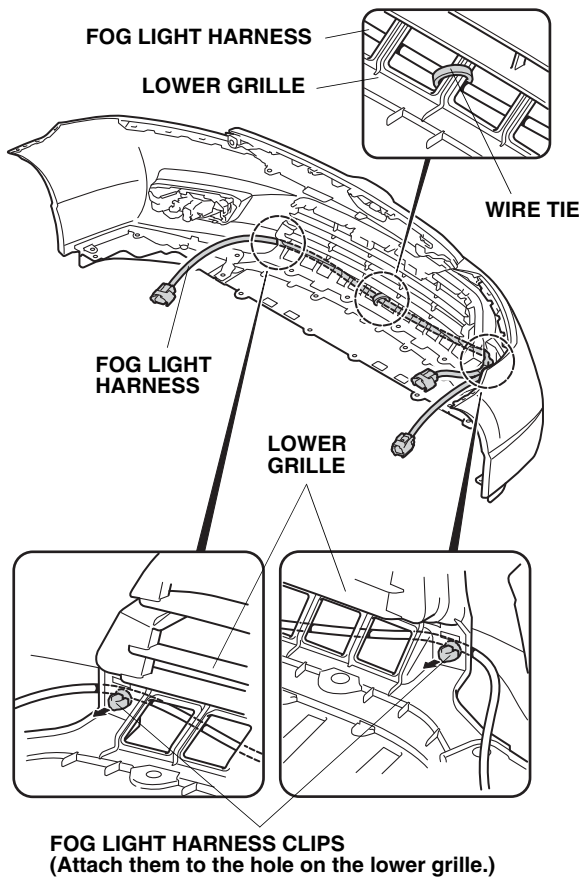
- Install the spring nut onto the front bumper.



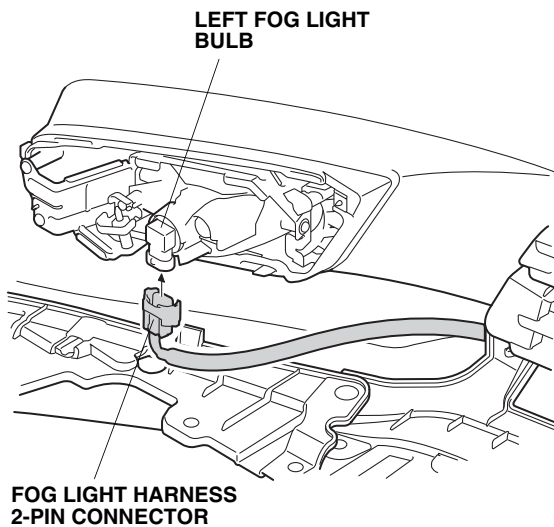
- Install the left fog light to the fog light cover opening, and secure it with the self-tapping screw.
- Repeat steps 5 through 7 on the other side.
- Route the fog light harness 2-pin connector between the lower grille and the front bumper from the right side through the left side.



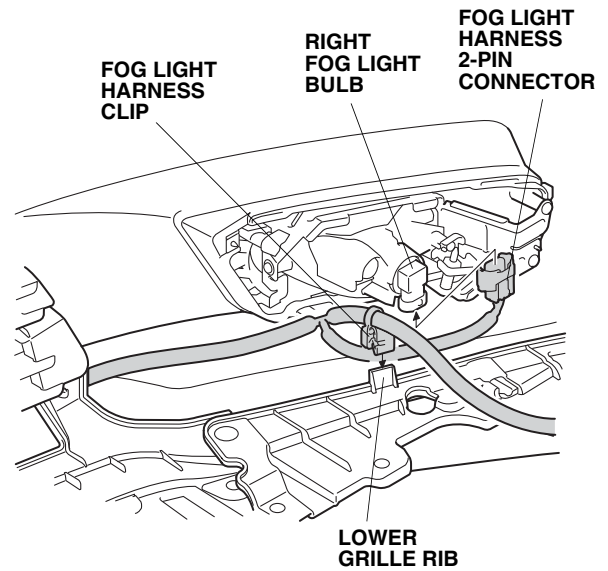
- Attach the clip on the fog light harness to each hole of the lower grille.



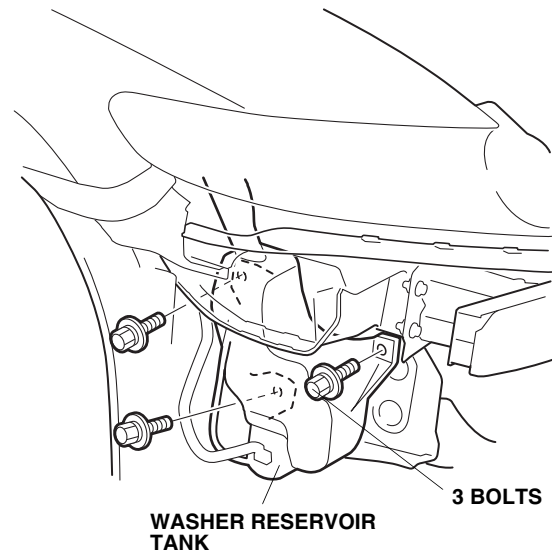
- Secure the fog light harness to the lower grille with one wire tie.
- Plug the fog light harness 2-pin connector into the left fog light bulb.



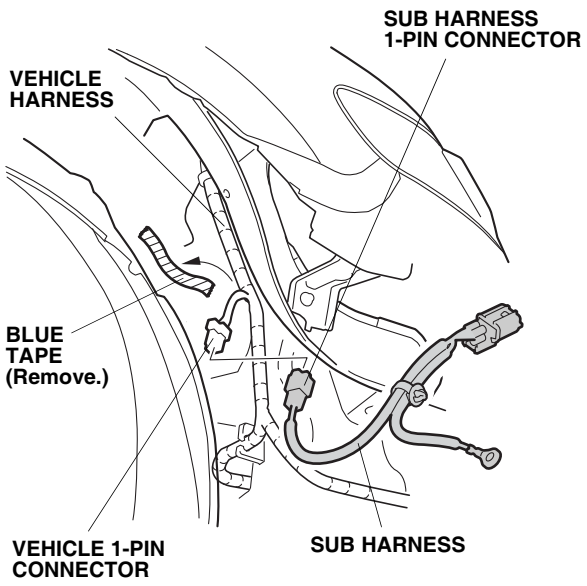
- Plug the fog light harness 2-pin connector into the right fog light bulb.



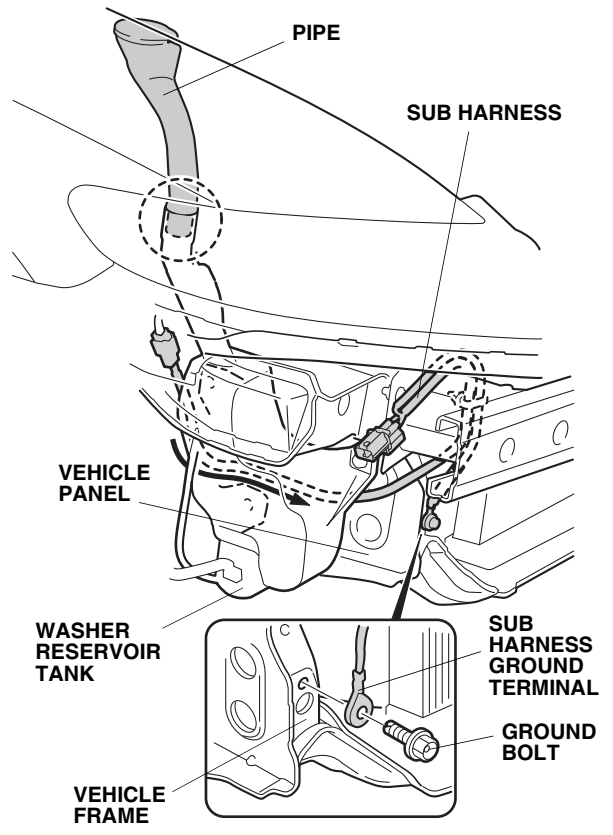
- Install the fog light harness clip onto the lower grille rib.
- Remove three bolts from the washer reservoir tank.



16. Locate the 1-pin connector blue-taped to the vehicle harness and remove the blue tape to free the 1-pin connector. Plug the vehicle 1-pin connector you just freed into the sub harness 1-pin connector.

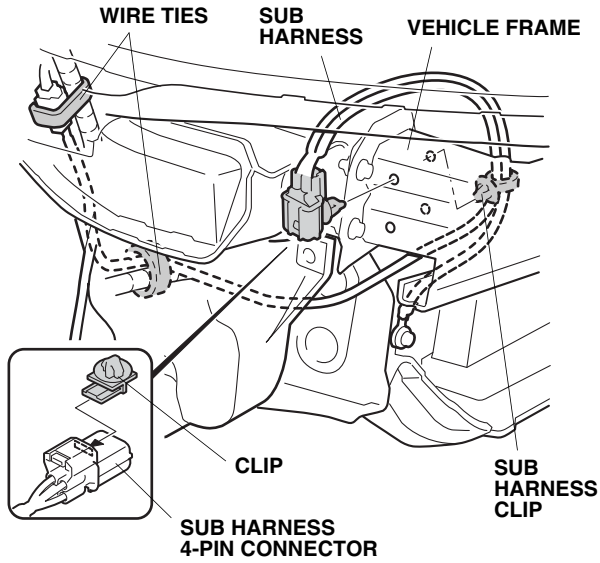


17. Route the sub harness between the washer reservoir tank and vehicle panel as shown.

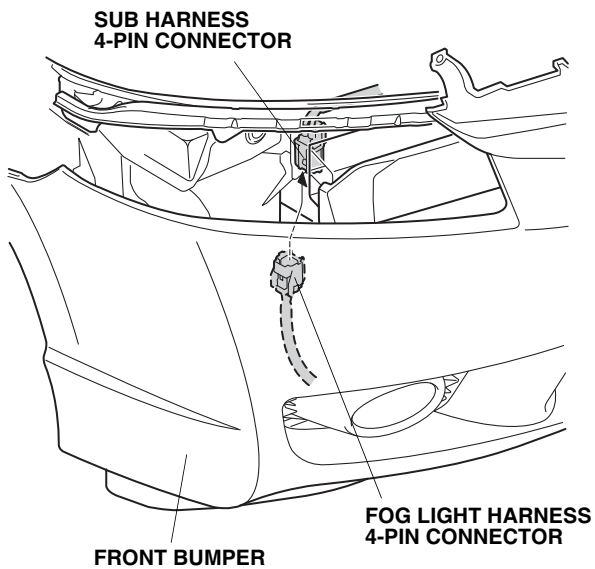


18. Secure the sub harness ground terminal to the vehicle frame using the ground bolt supplied.
19. Reinstall the washer reservoir tank. Check that the pipe is installed securely.

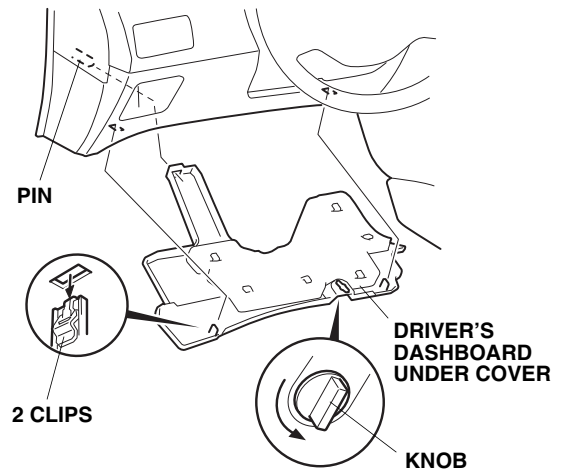
20. Secure the sub harness clip to the vehicle frame, and secure the sub harness to the vehicle harness using two wire ties.



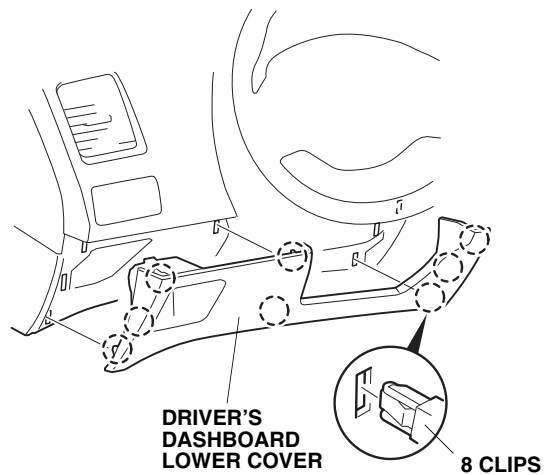
21. Slide the clip onto the sub harness 4-pin connector, and secure it to the vehicle frame.
22. Plug the fog light harness 4-pin connector to the sub harness 4-pin connector, then reinstall the front bumper.



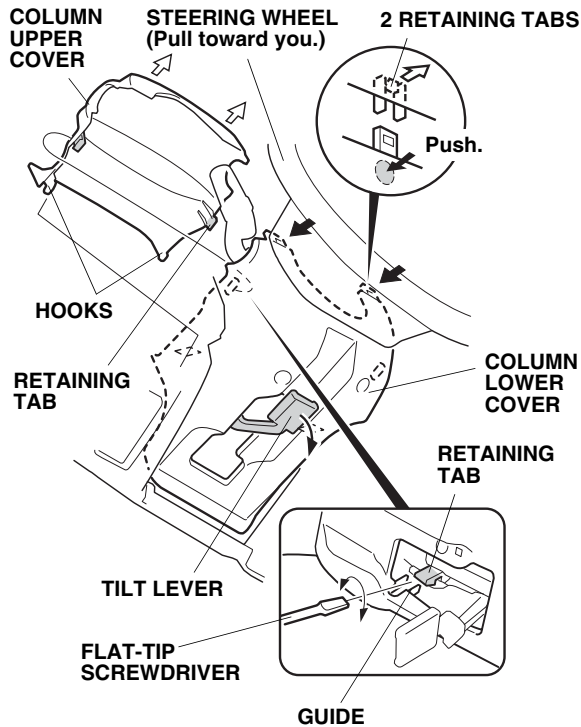
23. If equipped, remove the driver's dashboard under cover by turning the knob counterclockwise, and releasing two clips and pin. Take care not to damage the clips.



24. Remove the driver's dashboard lower cover (eight clips). Take care not to damage the clips.

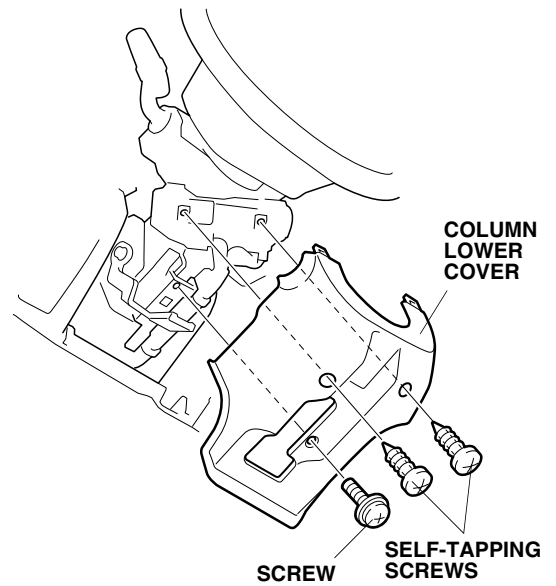


25. Lower the tilt lever, and pull the steering wheel toward you. Insert a flat-tip screwdriver along the guide of the column lower cover, and pry the retaining tab of the column upper cover.

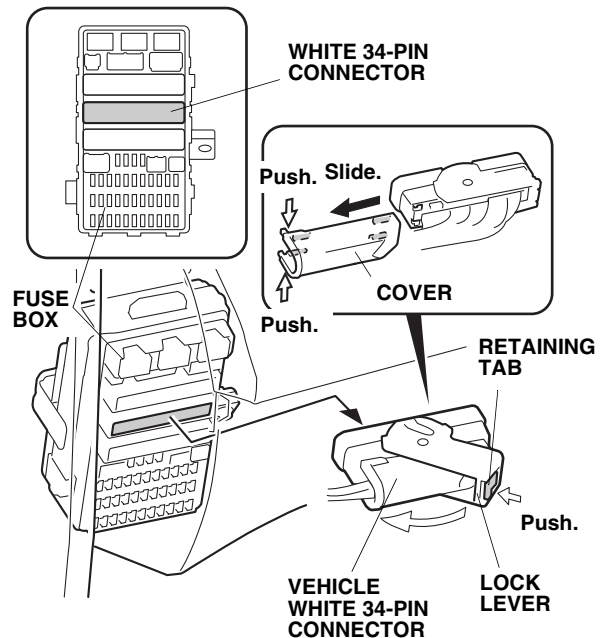


26. Push on the column lower cover in the area shown to separate the column upper cover from the column lower cover (three retaining tabs). Pull up to remove the column upper cover (two hooks).

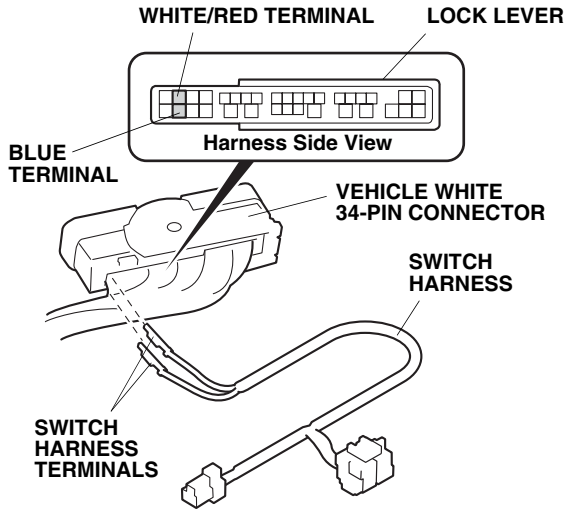
27. Remove the column lower cover (two self-tapping screws and one screw).



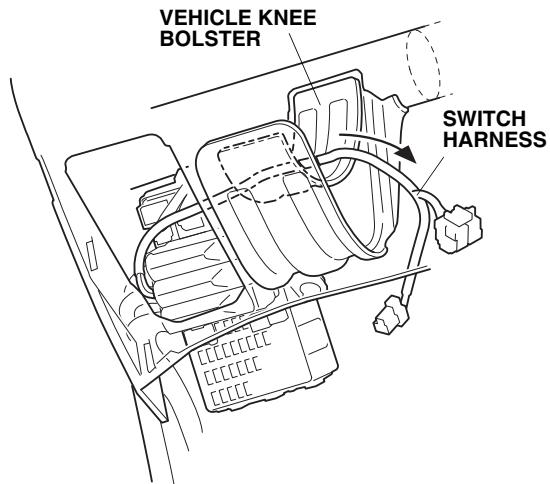
28. Push the retaining tab from the vehicle white 34-pin connector, and raise the lock lever from connector. Remove the connector from the fuse box. Close the lock lever on the vehicle white 34-pin connector and remove the cover by sliding it from the connector.



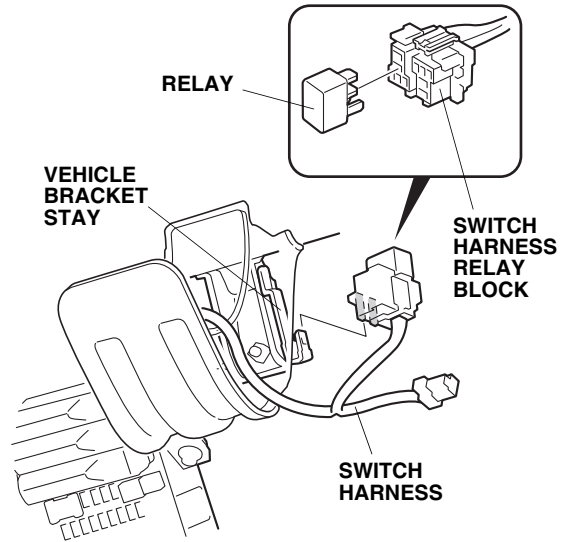
29. Insert the two switch harness terminals into the white/red terminal and blue terminal of the vehicle white 34-pin connector.



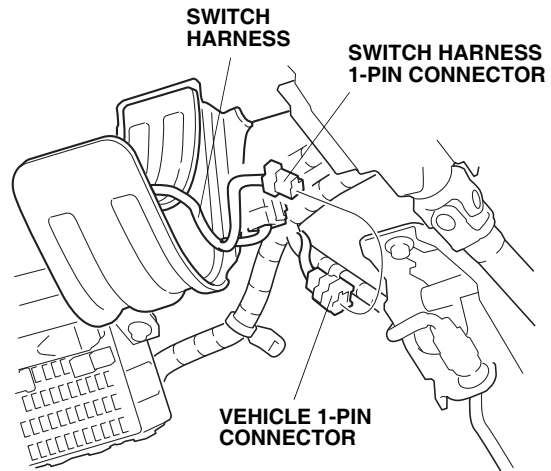
30. Reinstall the vehicle white 34-pin connector.
31. Route the switch harness above the vehicle knee bolster.



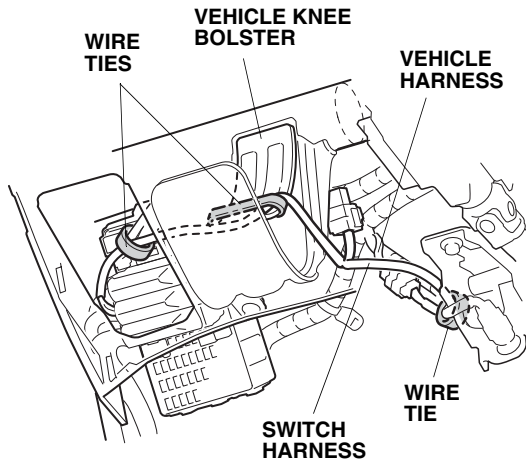
32. Plug the relay into the switch harness relay block, then slide the relay block onto the vehicle bracket stay.



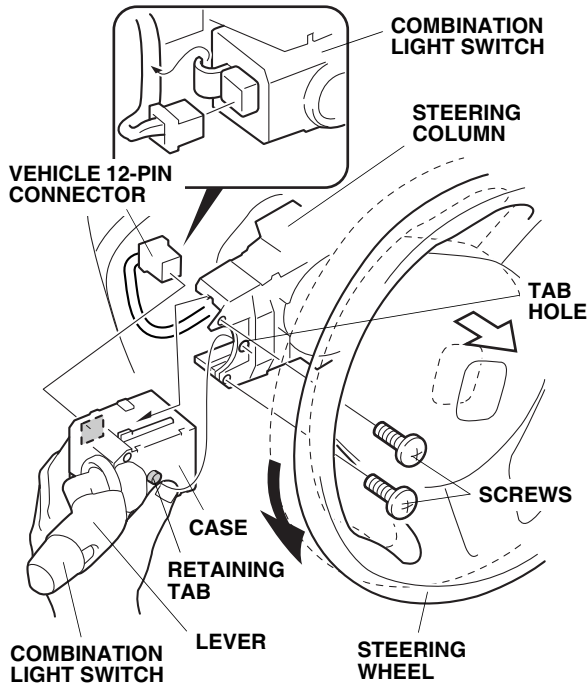
33. Locate the 1-pin connector blue-taped to the vehicle harness. Plug the switch harness 1-pin connector into the vehicle 1-pin connector.



34. Secure the switch harness to the vehicle harness and vehicle knee bolster with three wire ties in the areas shown.

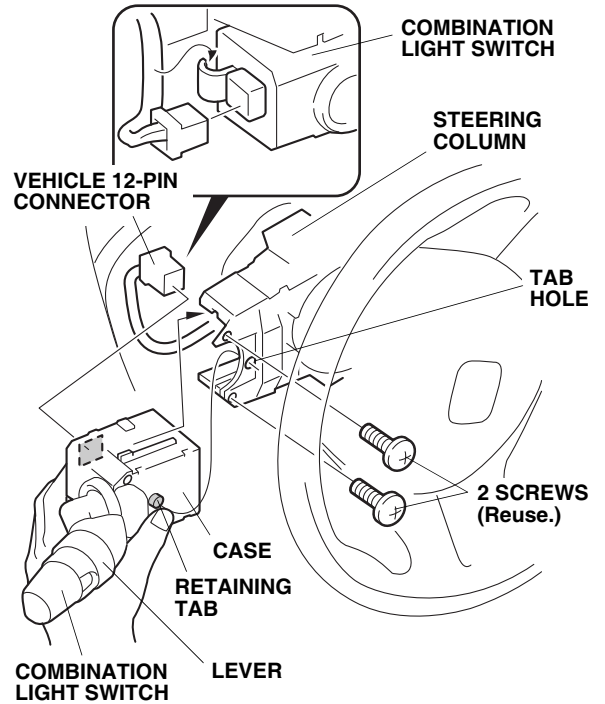


35. Lower the tilt lever and pull the steering wheel toward you.



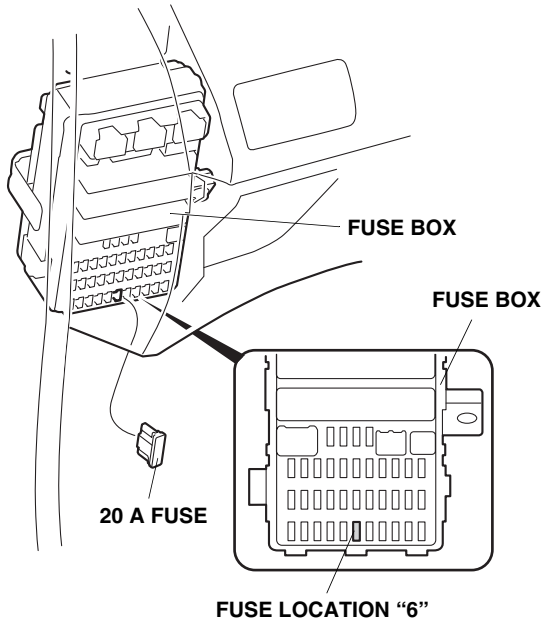
36. Turn the steering wheel 90° counterclockwise.  
 37. Unplug the vehicle 12-pin connector from the combination light switch. Remove the two screws from the combination light switch. While pushing the retaining tab, slide the combination light switch out, and remove it from the steering column. Do not pull on the lever when removing the case. Do not damage the tab hole of the steering column.

38. Install the new combination light switch on the steering column using the two screws. Hold the case by hand, then install the new combination light switch to the steering column. Do not push on the lever when installing the case. Push in on the case and securely set the retaining tab into the tab hole.



39. Plug the vehicle 12-pin connector to the new switch. Replace the vehicle harness.

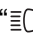
40. Install the 20 A fuse into the fuse box in the location shown. If the fuse is already installed, it is not necessary to install the 20 A fuse.

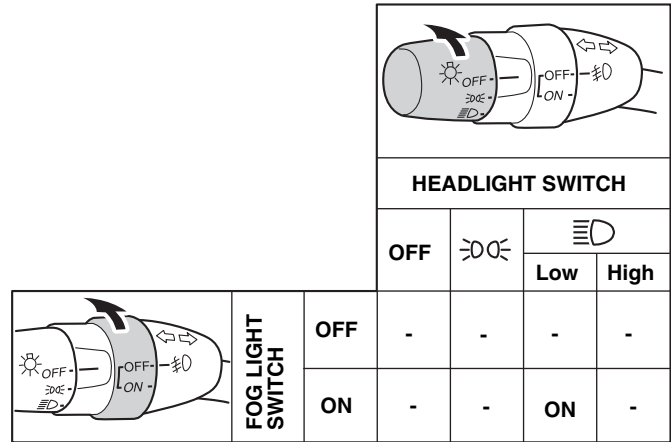


41. Check that all wire harnesses are routed properly and all connectors are plugged in.
42. Reinstall all removed parts.
43. Connect the negative cable to the battery and check operation of all lights and other electrical accessories.
44. Enter the anti-theft codes for the audio system and the navigation system (if equipped), and reset the radio station presets.
45. Reset the clock on vehicles without navigation.

## USE AND CARE

### How to Operate Fog Lights

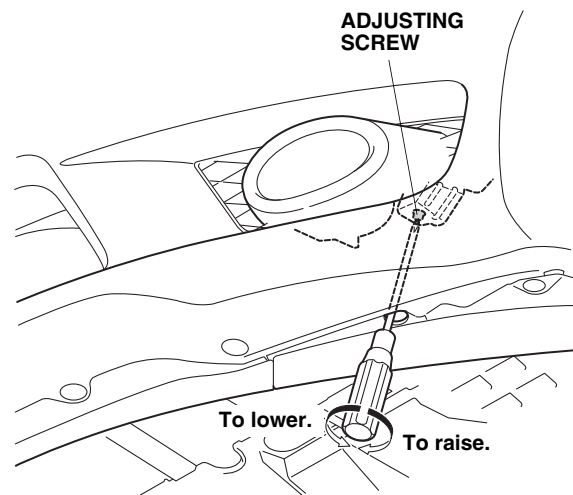
- Turn the light switch to the “D” position (headlights on low beam).
- Turn the fog light switch (indicator is on).



**NOTE:** The fog light lenses can cloud when the outside temperature is cold; this is normal and should go away in warm weather.

### Adjusting the Aim

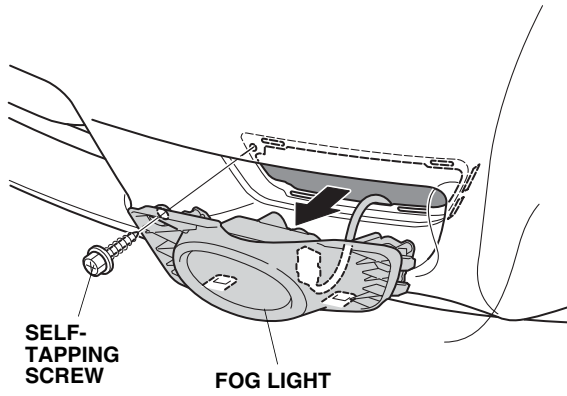
1. Adjust the vertical aiming according to local laws and regulations. To adjust, turn the adjusting screw in or out until the correct angle is obtained.



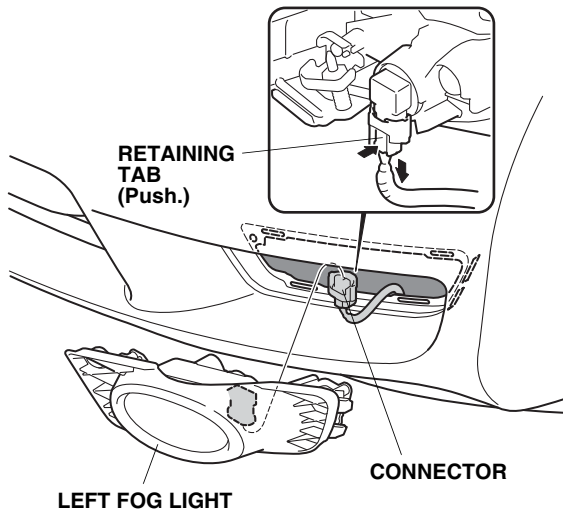
2. Repeat on the right side.

## BULB REPLACEMENT

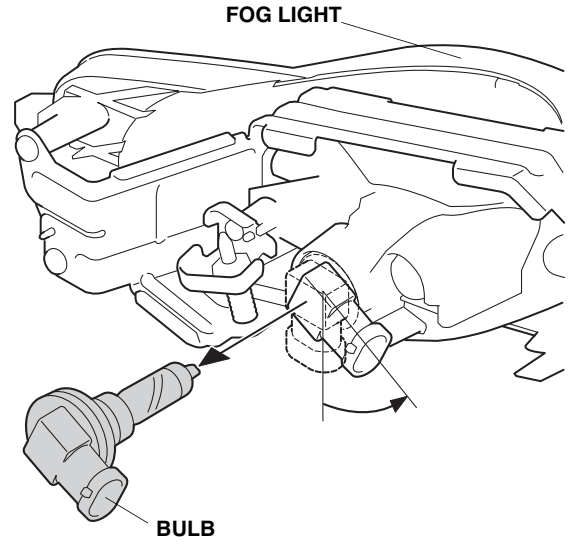
1. Remove the self-tapping screw, and pull the fog light out toward you.



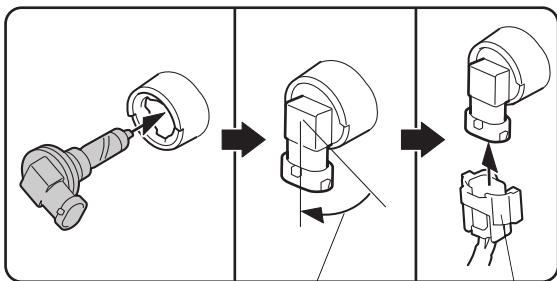
2. Push in the retaining tab, and unplug the connector from the fog light.



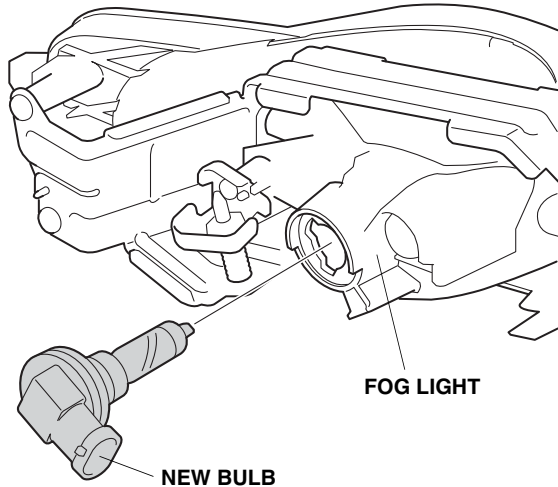
3. Remove the bulb from the fog light by turning it.



4. Install a new bulb on the fog light by turning it clockwise until it stops.
  - Take extreme care when replacing the fog light bulb to avoid damaging the lenses or finished surfaces of the body.
  - Use only a Honda Genuine halogen light bulb of specified wattage.  
Rating: 12V 55W H11 Halogen Light Bulb  
P/N 33165-S5A-003
  - Do not touch the bulb. Oily or greasy substances on the bulb can shorten its service life due to the heat produced when the bulb is turned on. If the bulb is accidentally touched, wipe it clean with a soft cloth that has been dampened with a denatured alcohol or a mild detergent solution.
  - When installing the new bulb, align the cutout on the fog light with the tab on the new bulb and turn the new bulb in completely. If not properly aligned, the fog light may blind oncoming drivers.



Turn the bulb until it stops. CONNECTOR



5. Plug the connector to the bulb.
6. Install the fog light in the reverse order of removal.
7. Check that the bulb comes on properly. Adjust the aim as necessary.