



INSTALLATION INSTRUCTIONS

Accessory

CARGO NET
P/N 08L96-S5D-100

Application

CIVIC
2- AND 4-DOOR

Publications No.

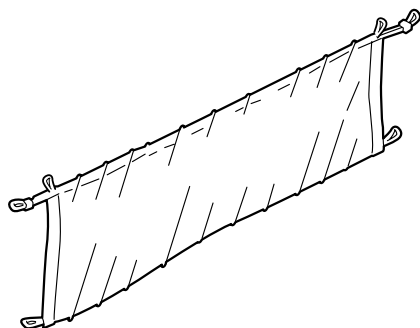
All 21917

Issue Date

SEP 2000

PARTS LIST

Cargo net



2 Hooks A



4 Hooks B
(not used on 2-door)



6 Screws
(4 not used on 2-door)



6 Well nuts
(4 not used on 2-door)



6 Washers
(4 not used on 2-door)



TOOLS AND SUPPLIES REQUIRED

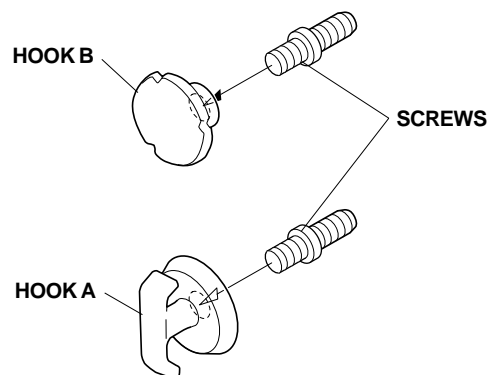
Clip remover
Phillips screwdriver
Drill
8 mm Bit
Eye protection (face shield, safety goggles, etc.)
File
Utility knife
Touch-up paint

INSTALLATION

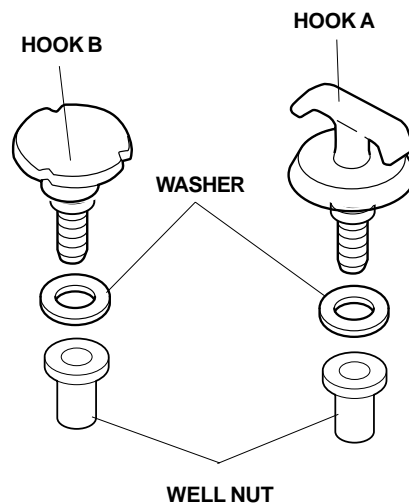
Customer Information: The information in this installation instruction is intended for use only by skilled technicians who have the proper tools, equipment, and training to correctly and safely add equipment to your car. These procedures should not be attempted by "do-it-yourselfers."

NOTE: On 2-door model vehicles, the hooks B are already installed in the floor.

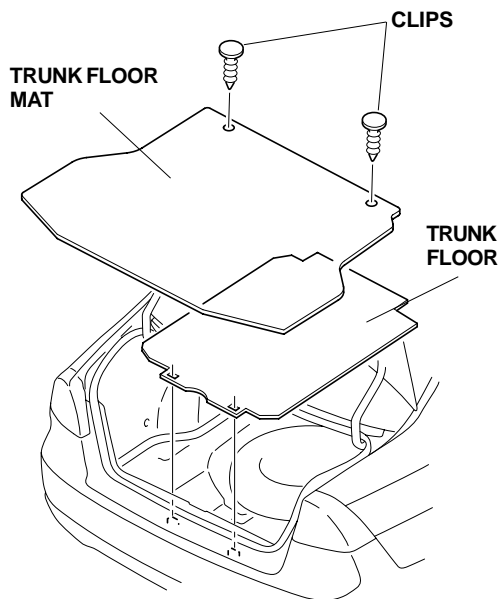
1. Install a screw into each hook A and hook B.



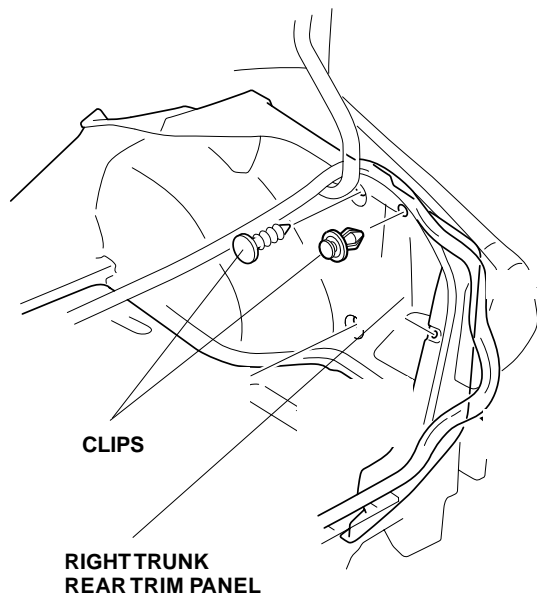
2. Install a well nut and a washer onto each hook.



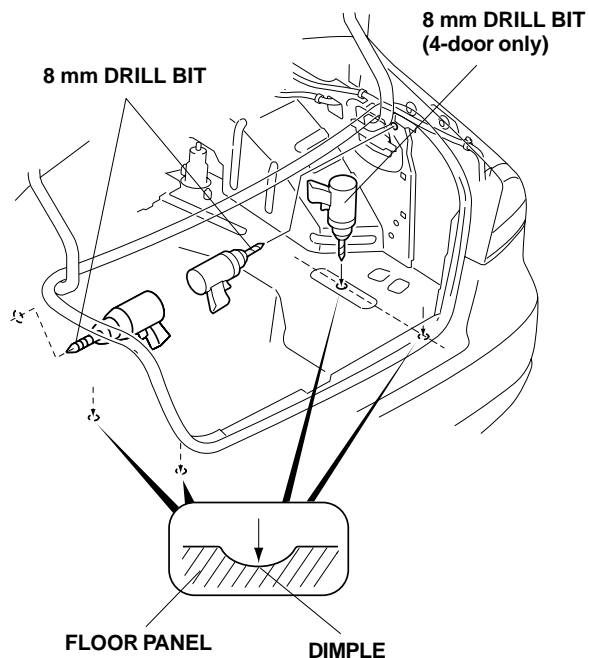
3. **4-Door only:** Open the trunk lid, and remove the two clips that fasten the trunk floor mat. Remove the trunk floor mat and the trunk floor.



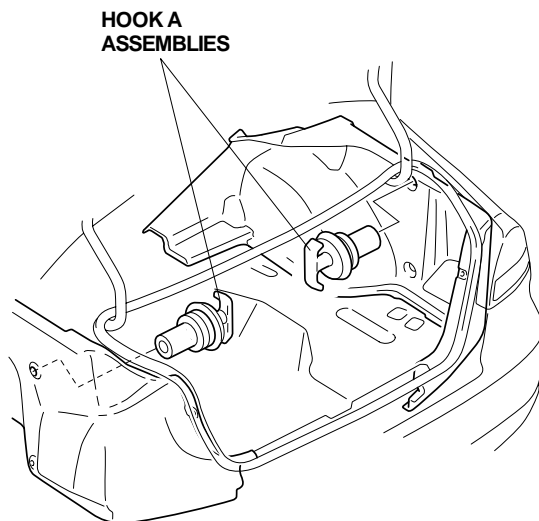
4. Using a clip remover, remove the panel clips from the right trunk rear trim panel. Remove the same panel clips from the left trunk rear panel.



5. **4-Door only:** Locate the four dimples (two on each side) in the trunk floor. Using an awl, poke through the meld sheet to expose the 5 mm holes in the each dimple.

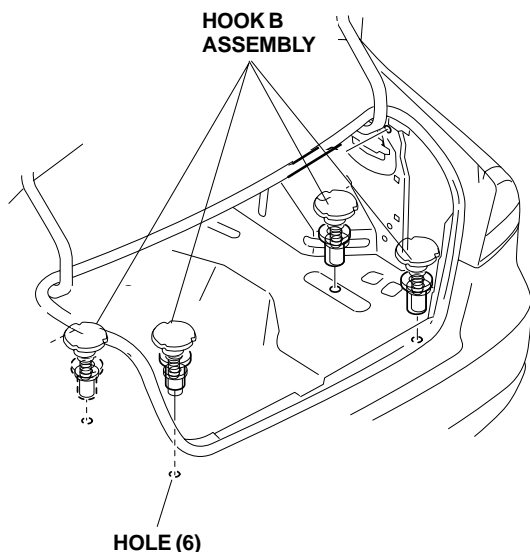


6. **4-Door only:** While wearing eye protection, enlarge the four 5 mm holes in the dimples in the trunk floor to 8 mm.
7. While wearing eye protection, enlarge the two clip holes in the side of the trunk by drilling with the 8 mm drill bit.
8. Remove all burrs, and apply touch-up paint to the holes. If necessary, gently pull the rear trim panel down to apply the touch-up paint.
9. Install the two hook A assemblies into the holes in the right and left trunk side rear trim panels.

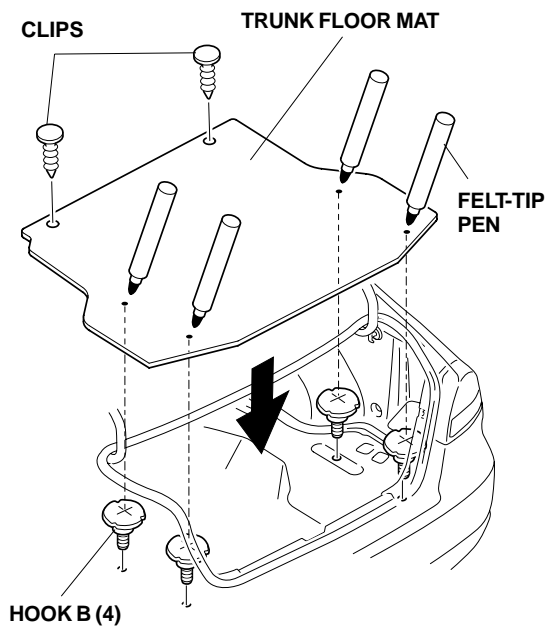


If the vehicle you're working on is a 2-door model, go to step 15; otherwise, continue with step 10.

10. Install the four hook B assemblies into the holes in the floor panel.

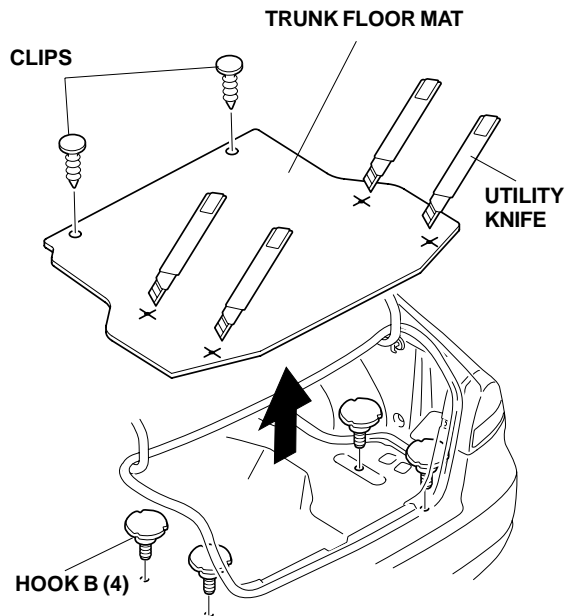


11. Temporarily install the trunk floor mat. Don't install the spare tire cover at this time.

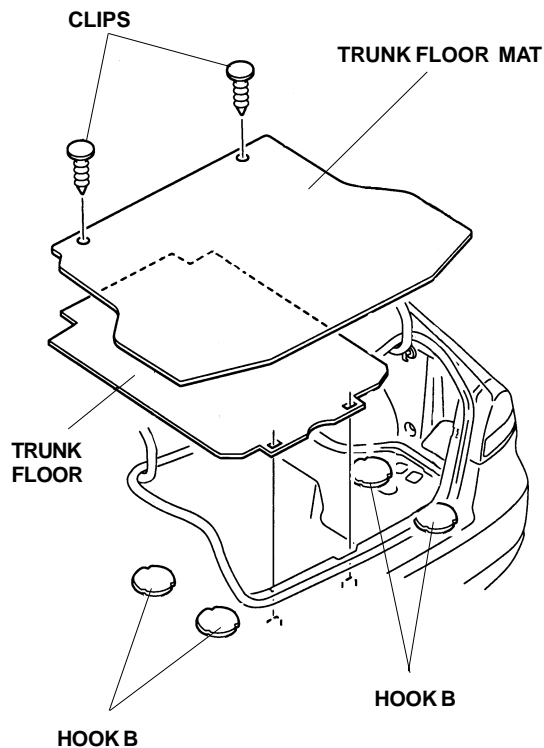


12. Pushing along the top trunk floor mat, locate the center of each hook B, then mark the trunk floor mat with a felt-tip pen.

13. Remove the trunk floor mat. Using a utility knife, cut an "x" in the trunk floor carpet mat at each marked location.



14. Reinstall the trunk floor mat and the trunk floor using the two clips. Push the trunk floor mat around each hook B.



15. Attach the cargo net to the hooks A and hooks B.

