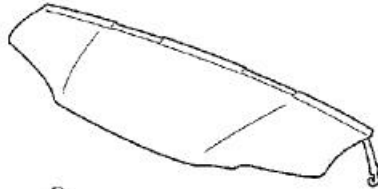
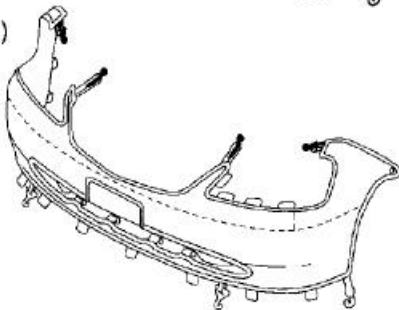
 HONDA INSTALLATION INSTRUCTIONS	Accessory	Application	Publications No.
	FULL NOSE MASK P/N 08P35-S5D-100G	2001 CIVIC 2-AND 4-DOOR	AII 21899 Issue Date SEP 2000

PARTS LIST

Mask
(hood section)



Mask
(bumper section)



2 Snap-screws



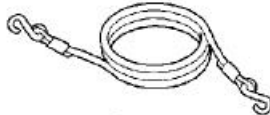
2 Fenderwell nuts



2 Washers



Elastic cord



Storage bag



TOOLS REQUIRED

Stubby #2 Phillips screwdriver
Flat-tip screwdriver
Scissors

INSTALLATION

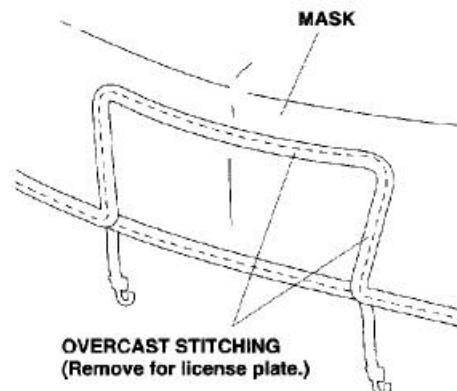
NOTE:

- Make sure the vehicle and the nose mask are clean and completely dry before installation. If moisture under the mask is allowed to dry, it may cloud the paint. If the mask gets wet, remove it and allow it to air-dry completely.
- Make sure any repainted surfaces are cured.
- Make sure the hood and nose of the vehicle have been waxed with a high-quality paste wax.
- Make sure to install the nose mask securely. If the nose mask starts to flap or comes loose while driving, safely pull off the highway, stop the vehicle, and secure or remove the mask.

Displaying the License Plate

If your state law requires the display of both license plates, cut out the piece of the bumper section that covers the front license plate:

- Face the inside of the mask toward you.
- Carefully cut out the license plate section with scissors at the top seam and remove the overcast stitching.

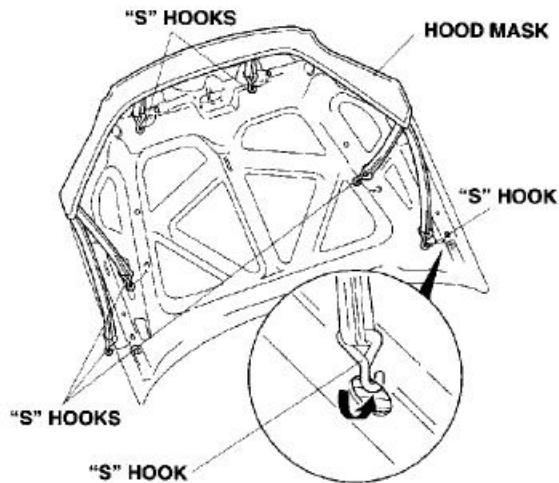


PUB No. Title
AI AII21899 2001 CIVIC FULL NOSE MASK

Issued
09/12/00

Installing the Hood Section

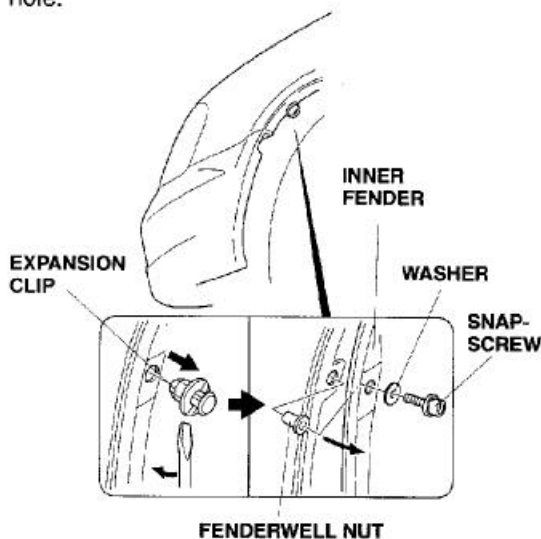
1. Open the hood. Fit the corners of the mask around the hood. Adjust the mask so that it fits smoothly over the edges.



2. Secure the mask by hooking the six "S" hooks to the holes in the back of the hood.

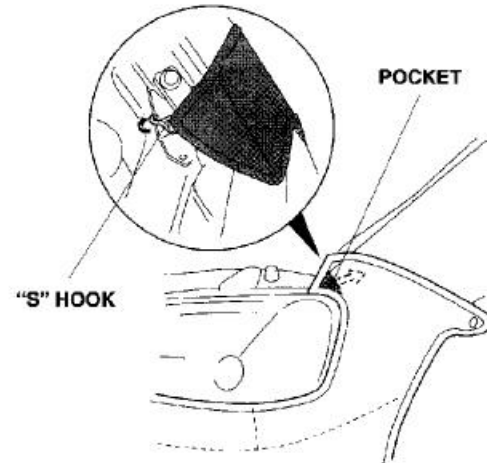
Installing the Bumper Section

3. Turn the steering wheel all the way clockwise.
4. Pry out the plastic pin, and remove the expansion clip that fastens the inner fender; remove and retain the clip, then clean the area around the hole.

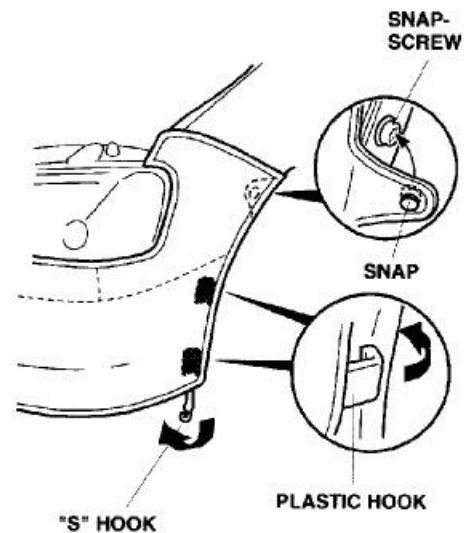


5. Pull the inner fender away, and press one fenderwell nut (supplied) into the hole in the fender flange.
6. With its washer in place, securely tighten one snap-screw into the fenderwell nut.

7. Turn the steering wheel all the way counter-clockwise, and repeat steps 4 through 6 on the other side of the vehicle.
8. Slip the pocket of the mask's fender section onto the front corner of the fender, then attach the "S" hook to the top inside edge of the fender. Fit the mask across the bumper, and attach the mask to the other side in the same way.



9. Pull the mask back toward the wheelwell, smooth out any wrinkles, and then snap the mask onto the snap-screw. Repeat on the other side.

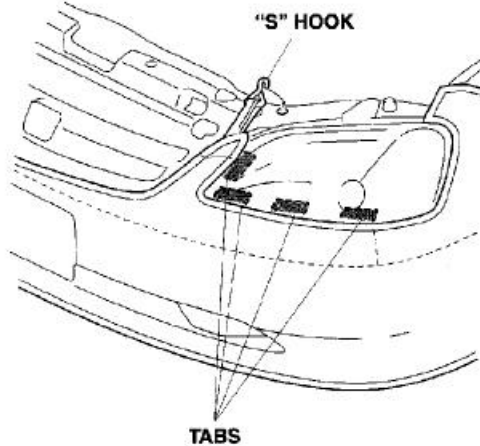


10. On both sides of the vehicle, attach the two plastic clips to the fenderwell, and attach the "S" hook to the bottom of the bumper.

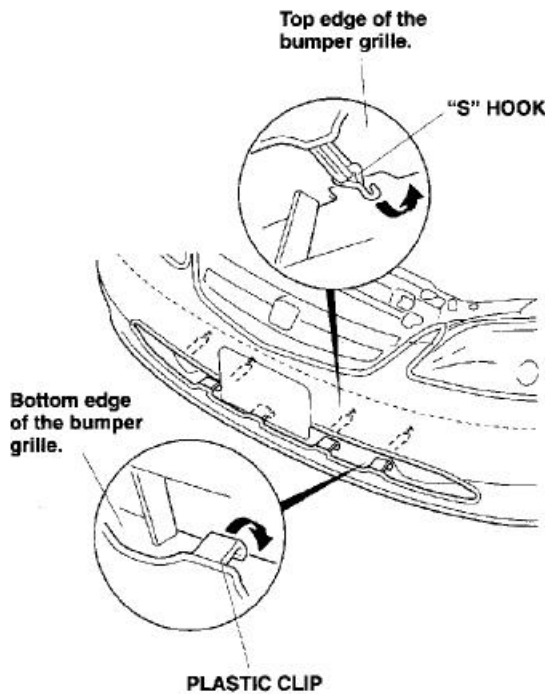
PUB No. Title
AI AII21899 2001 CIVIC FULL NOSE MASK

Issued
09/12/00

11. Insert the four tabs into the clearance around the headlight. Attach the "S" hook to the front bulkhead. Repeat on the other side.

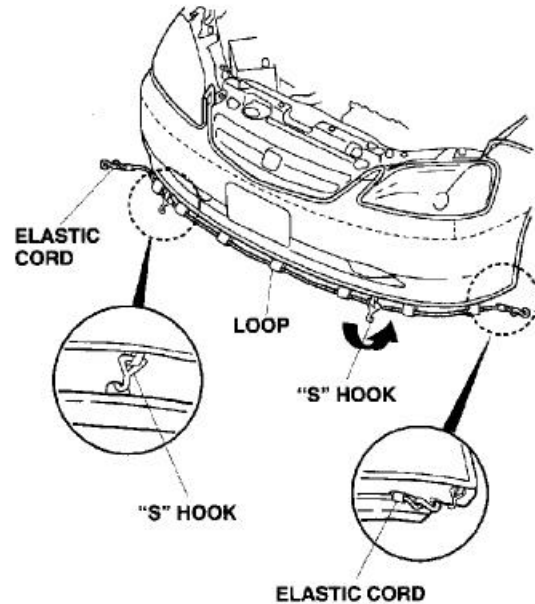


12. Attach the four "S" hooks and four plastic hooks to the top and bottom edges of the bumper grille opening.



13. Attach the two "S" hooks to the holes in the bottom of the bumper.

14. Route the elastic cord through the eight loops on the bottom of the mask, and attach the "S" hooks at the ends of the elastic cord to the bottom edge of the bumper on both sides.



15. Put these instructions and the expansion clips (removed in step 4) into the storage bag, and place it in the trunk for future use.

CLEANING THE NOSE MASK

Use a sponge or cloth and a solution of mild liquid dishwashing soap and water to clean the vinyl and the flannel backing. Rinse the mask completely with clean water, and hang it to dry, out of direct sunlight. Make sure the mask is completely dry before you reinstall it.