 HONDA INSTALLATION INSTRUCTIONS	Accessory GOLD EMBLEMS 2-DOOR: P/N 08F20-S5P-100 4-DOOR: P/N 08F20-S5D-100	Application 2001 CIVIC 2- AND 4-DOOR	Publications No. AII 21901
			Issue Date SEP 2000

PARTS LIST

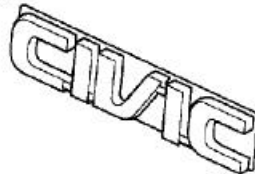
Front gold "H" emblem



Rear gold "H" emblem



Rear gold "CIVIC" emblem



2 Push nuts



TOOLS AND SUPPLIES REQUIRED

- Stubby Phillips screwdriver
- Flat tip screwdriver
- Diagonal cutters
- Isopropyl alcohol
- Shop towel
- String
- Masking tape
- Long nose pliers
- Blanket

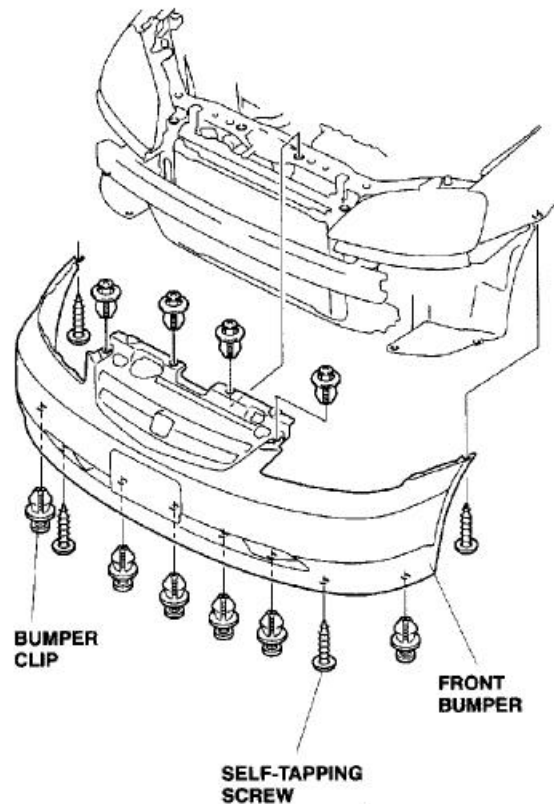
INSTALLATION

NOTE:

- Be careful not to damage the body finish when you remove and install the emblems.
- This emblem kit should be installed only when the ambient air temperature is 60°F (15°C) or above.
- To allow the adhesive to cure, do not wash the vehicle for 24 hours.

Installing the Front "H" Emblem

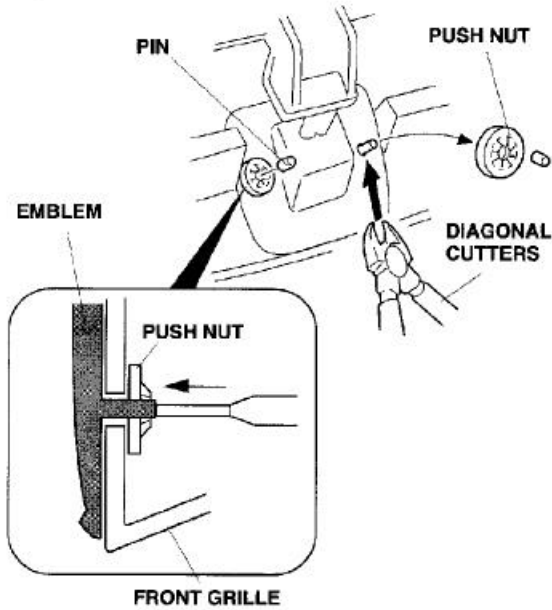
1. Open the hood. Remove the 10 bumper clips and four self-tapping screws that fasten the front bumper and remove the front bumper. Set the front bumper on a blanket to install the front "H" emblem.



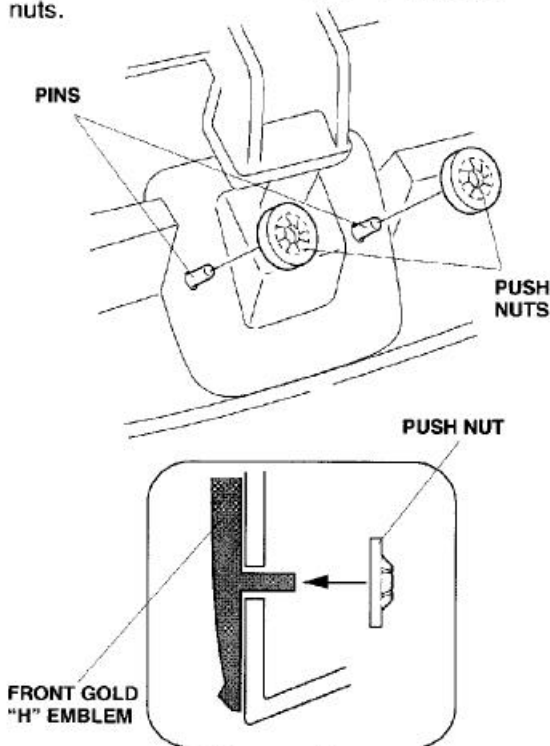
PUB No. Title
AI AII21901 2001 CIVIC GOLD EMBLEMS

Issued
09/12/00

2. Inside the front grille, cut off the two locating pins extending from the existing "H" emblem with diagonal cutters. Remove the emblem.



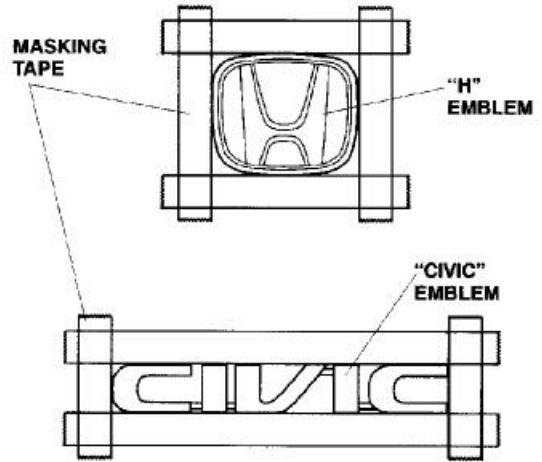
3. Using isopropyl alcohol on a shop towel, clean the area where the emblem was removed.
4. Attach the gold "H" emblem to the front grille with the push nuts. Note the direction of the push nuts.



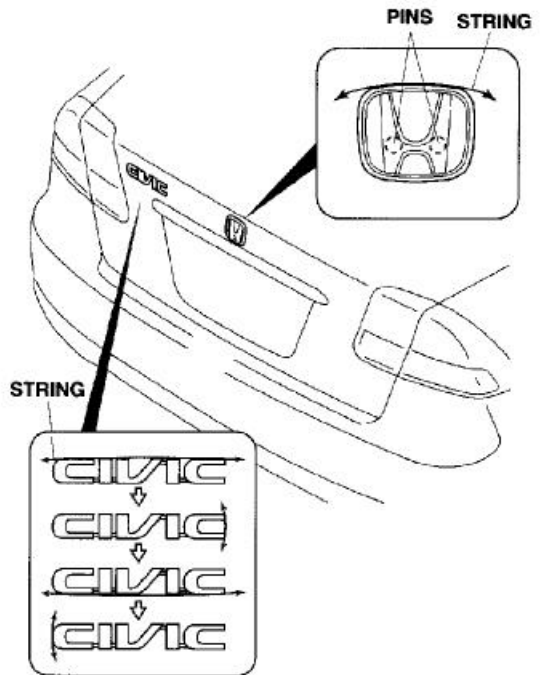
5. Reinstall the front bumper in the reverse order of removal.

Installing the Rear "H" and "CIVIC" Emblems

6. Mark the locations of the existing "H" and "CIVIC" emblems by applying masking tape along the four edges of each emblem.



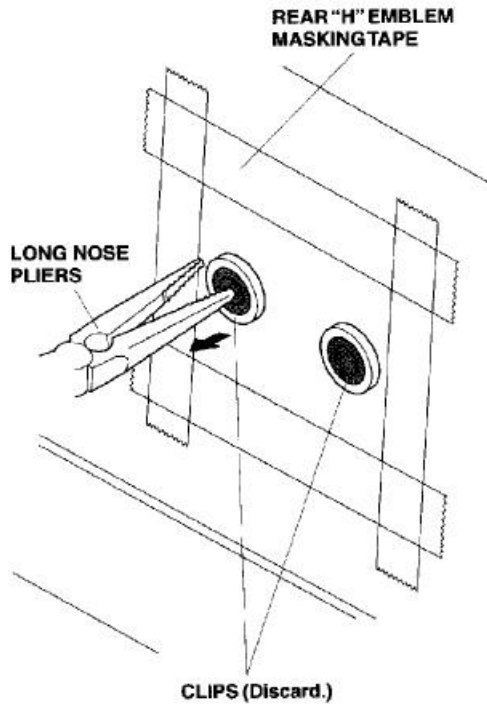
7. Remove the original rear emblems by cutting the outer edges with a piece of string. Note the locations of the locating pins of the emblems.



PUB No. Title
AI AII21901 2001 CIVIC GOLD EMBLEMS

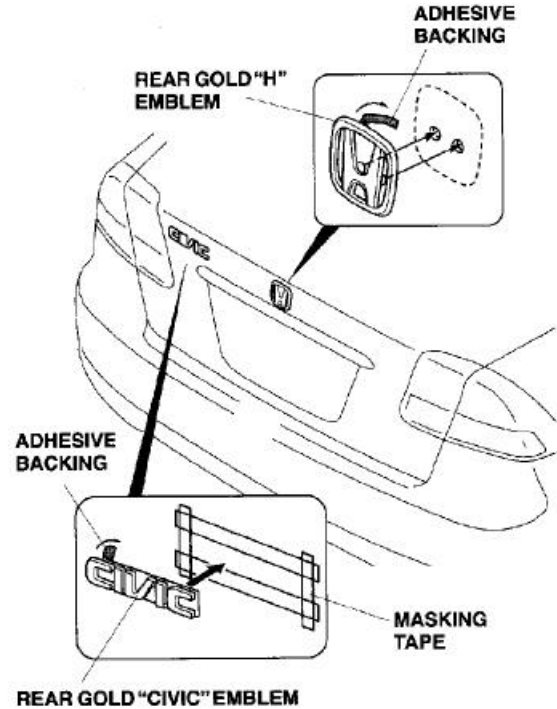
Issued
09/12/00

8. Remove the two clips from the trunk lid. Be careful not to damage the body.



9. Using isopropyl alcohol on a shop towel, clean the areas where the emblems were removed.

10. Remove the adhesive backing from the gold "H" emblem. Align the locating pins on the gold "H" emblem with the holes in the trunk lid, and attach the emblem to the trunk lid.



11. Remove the adhesive backings from the gold "CIVIC" emblem, and attach the emblem to the trunk lid.
12. Press each emblem firmly against the body with the palm of your hand.
13. Remove the masking tape.

NOTE: After the emblem kit is installed, tell your customer not to wash the vehicle for 24 hours to give the adhesive time to cure.