


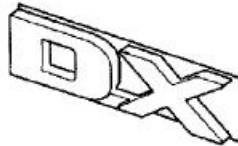
PUB No. Title  
AI AII21900 2001 CIVIC GOLD EMBLEM

Issued  
09/12/00

|  |             |                             |                                     |
|--|-------------|-----------------------------|-------------------------------------|
|  <b>HONDA</b><br><b>INSTALLATION INSTRUCTIONS</b> | Accessory   | Application                 | Publications No.                    |
|  | GOLD EMBLEM | 2001 CIVIC<br>2- AND 4-DOOR | AII 21900<br>Issue Date<br>SEP 2000 |

## PARTS LIST

Rear "DX" emblem:  
P/N 08F19-S5D-100 (4-door)  
P/N 08F19-S5P-100H (2-door)



Rear "LX" emblem:  
P/N 08F19-S5D-100F (4-door)  
P/N 08F19-S5P-100G (2-door)

Rear "EX" emblem:  
P/N 08F19-S5D-100G (4-door)  
P/N 08F19-S5P-100F (2-door)

Rear "GX" emblem:  
P/N 08F19-S5D-100H (4-door)

Rear "HX" emblem:  
P/N 08F19-S5P-100 (2-door)

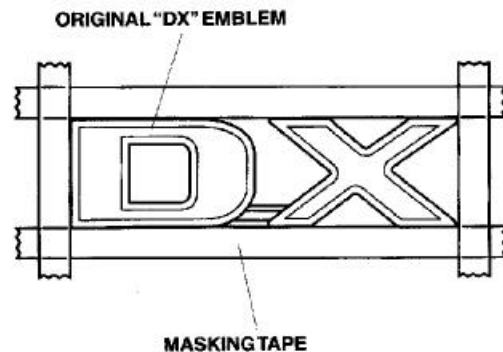
## TOOLS AND SUPPLIES REQUIRED

Isopropyl alcohol  
Shop towel  
Masking tape  
Piece of string

## INSTALLATION

### NOTE:

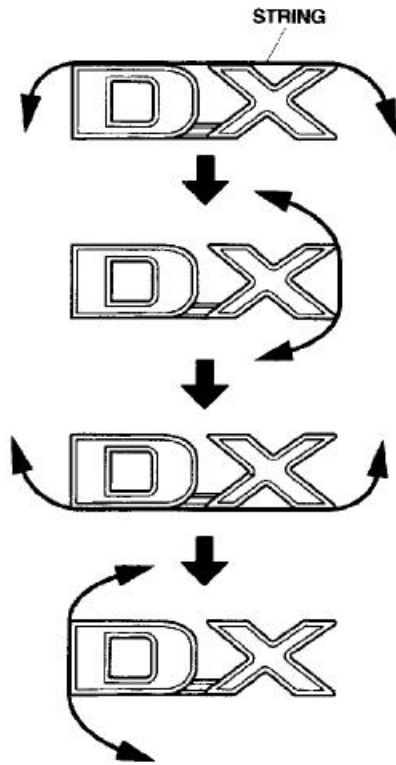
- Be careful not to damage the body finish when you remove and install the emblems.
  - This emblem kit should be installed only when the ambient air temperature is 60°F (15°C) or above.
  - To allow the adhesive to cure, do not wash the vehicle for 24 hours.
  - These instructions show the rear "DX" emblem being installed; the same procedure applies to installing the other rear emblems.
1. Mark the location of the existing "DX" emblem by applying masking tape on the body of the vehicle.



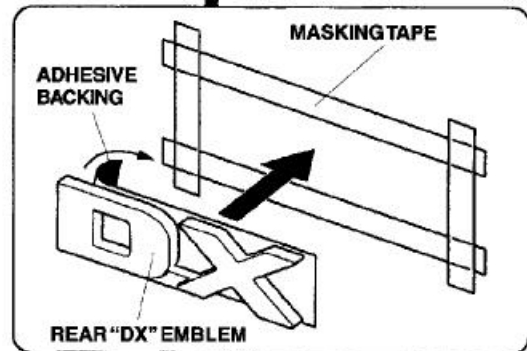
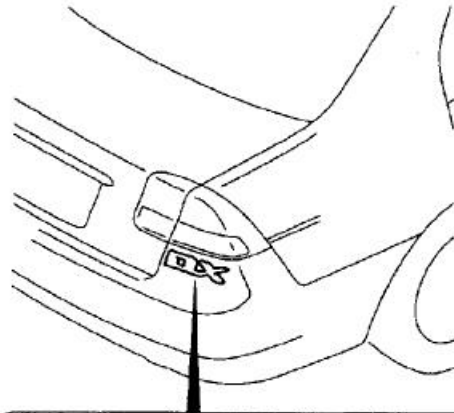
PUB No. Title  
AI AII21900 2001 CIVIC GOLD EMBLEM

Issued  
09/12/00

2. Remove the original "DX" emblem by cutting around the outer edges with a piece of string.



3. Using isopropyl alcohol on a shop towel, clean the area where the emblem was removed.
4. Remove the adhesive backing from the "DX" emblem, and attach it to the trunk lid. Press the emblem firmly against the trunk lid with the palm of your hand.



5. Remove the masking tape from the trunk lid.

NOTE: After the emblem kit is installed, tell your customer not to wash the vehicle for 24 hours to give the adhesive time to cure.