


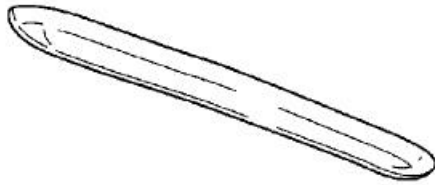
PUB No. Title
 AI AII21903 2001 CIVIC 4-DOOR GOLD TRUNK MOLDING

Issued
 09/12/00

 HONDA INSTALLATION INSTRUCTIONS	Accessory	Application	Publications No.
	GOLD TRUNK MOLDING P/N 08F21-S5D-100G	2001 CIVIC 4-DOOR	AII 21903 Issue Date SEP 2000

PARTS LIST

Gold trunk molding



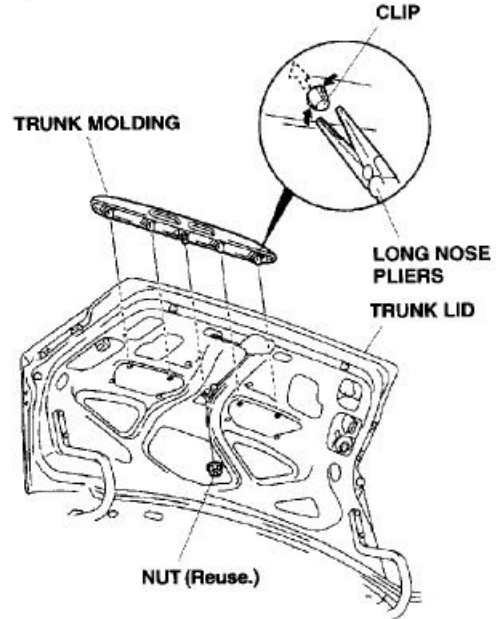
TOOLS REQUIRED

- Long nose pliers
- 8 mm Socket
- Ratchet
- Extension

INSTALLATION

NOTE: Be careful not to damage the body finish when installing the gold trunk molding.

1. Open the trunk lid, and remove center nut from the existing trunk molding.



2. Using long nose pliers, remove the existing trunk molding by removing the four clips.
3. Position the gold trunk molding on the trunk lid, and install the four clips. Reinstall the center nut you removed in step 1.

