



INSTALLATION INSTRUCTIONS

Accessory
IN-DASH CD CHANGER

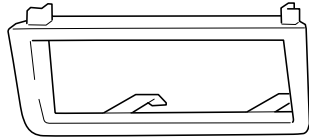
Application
**2002 CIVIC
2- AND 4-DOOR**

Publications No.
AI1 23127
Issue Date
OCT 2001

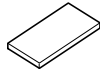
PARTS LIST

**In-Dash CD Changer Attachment (sold separately):
P/N 08B06-S5D-100**

CD changer trim

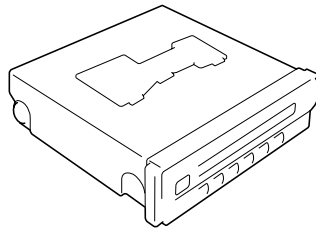


2 Cushions

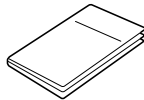


**In-Dash CD Changer (sold separately):
P/N 08A06-3B1-300**

In-Dash CD changer



Owner's Manual



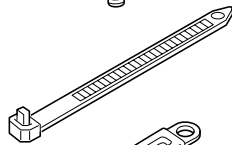
4 Washer-screws, 5 x 8 mm



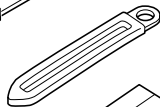
Washer-screw, 4 x 6 mm



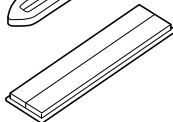
Wire tie (not used)



Harness clip



Rubber strips (not used)



TOOLS AND SUPPLIES REQUIRED

- Phillips screwdriver
- 8 mm and 10 mm Sockets
- Ratchet
- Shop towel
- Utility knife
- Scissors

INSTALLATION

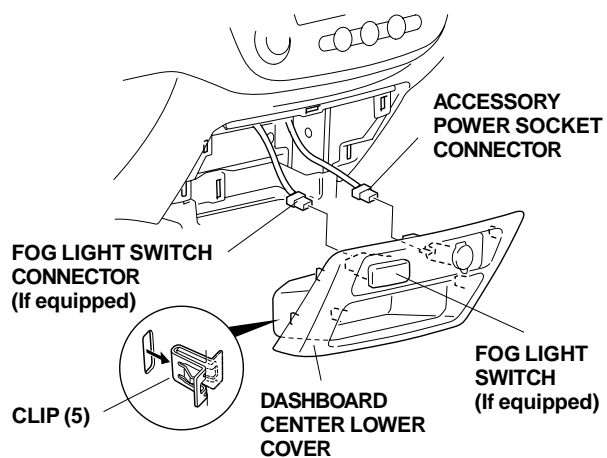
Customer Information: The information in this installation instruction is intended for use only by skilled technicians who have the proper tools, equipment, and training to correctly and safely add equipment to your car. These procedures should not be attempted by "do-it-yourselfers."

1. Make sure you have anti-theft code for the radio, then write down the frequencies for the preset buttons.
2. Disconnect the negative cable from the battery.

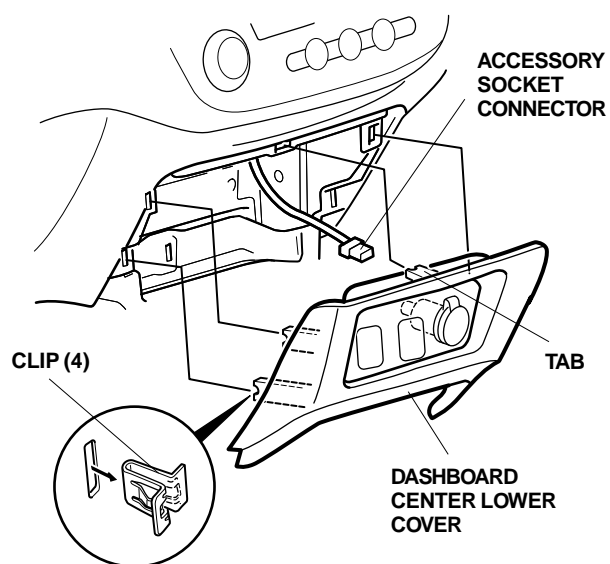
3. Remove the dashboard center lower cover:

- With the parking brake applied, place the gear shift lever in the Neutral position.
- Gently pry out on the lower cover to release the retaining clips and tab. If equipped, remove the ashtray and the self-tapping screw.
- Unplug the accessory socket connector or the cigarette lighter connectors, and remove the lower cover.

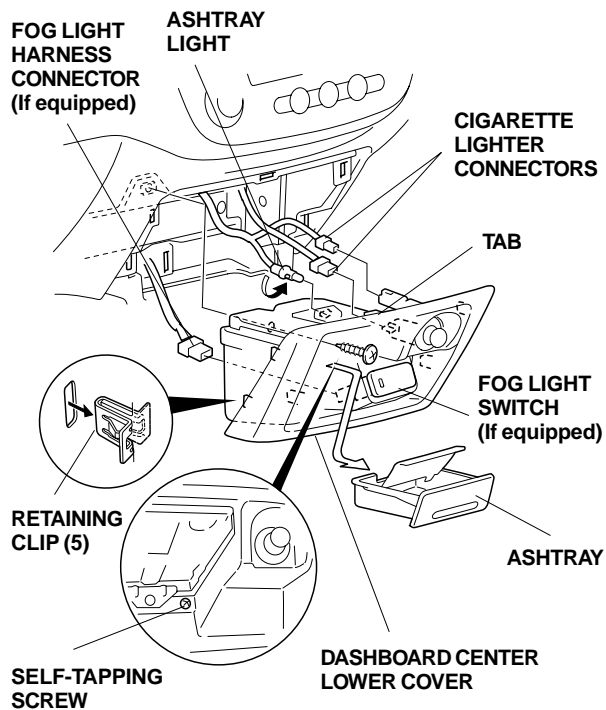
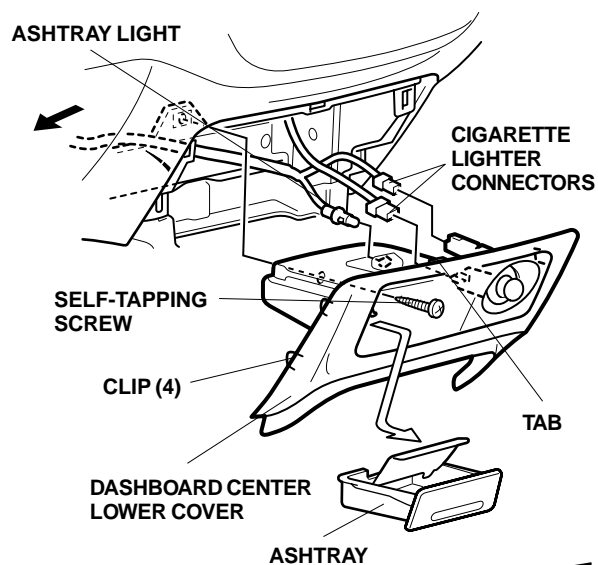
Without a Console Beverage Holder:



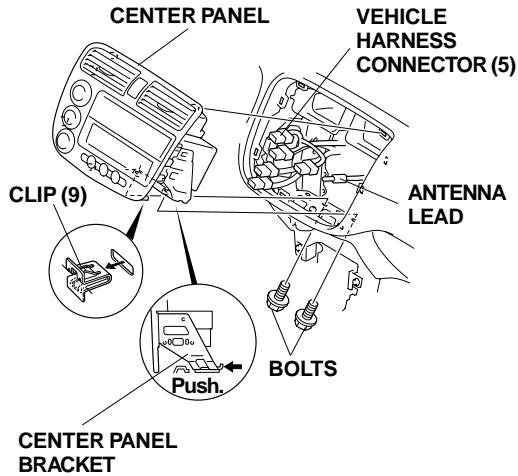
With a Console Beverage Holder:



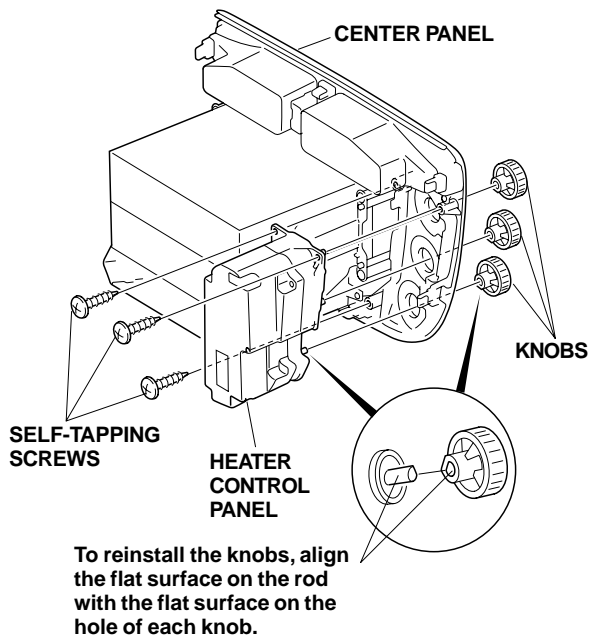
With Cigarette Lighter and Ashtray:



4. Remove the center panel:
 - Remove the two bolts from the bottom of the center panel.
 - Reach through the bottom opening, and push out on the center panel bracket to release the nine clips.
 - Unplug the five connectors and the antenna lead, then remove the center panel.

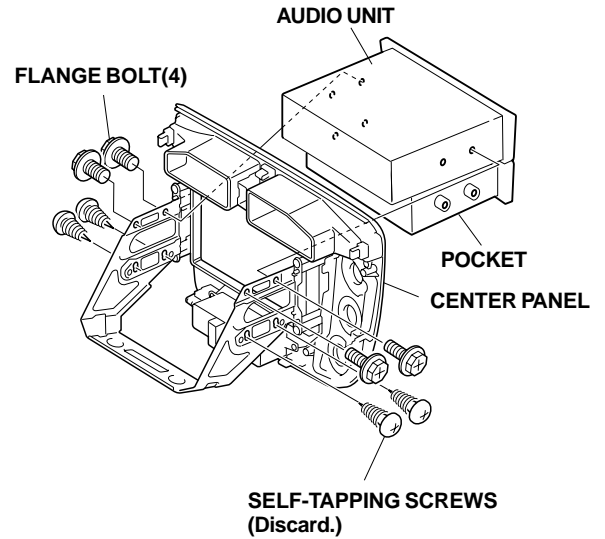


5. Gently pull out on each knob, and remove them from the heater control panel.

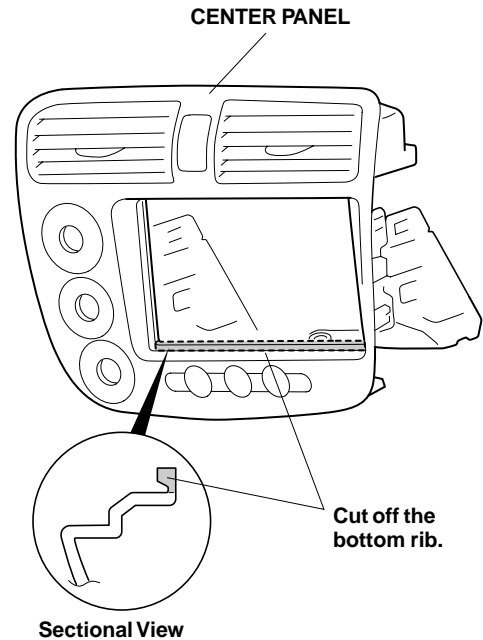


6. Remove the three self-tapping screws that fasten the heater control to the center panel, and remove the heater control panel.

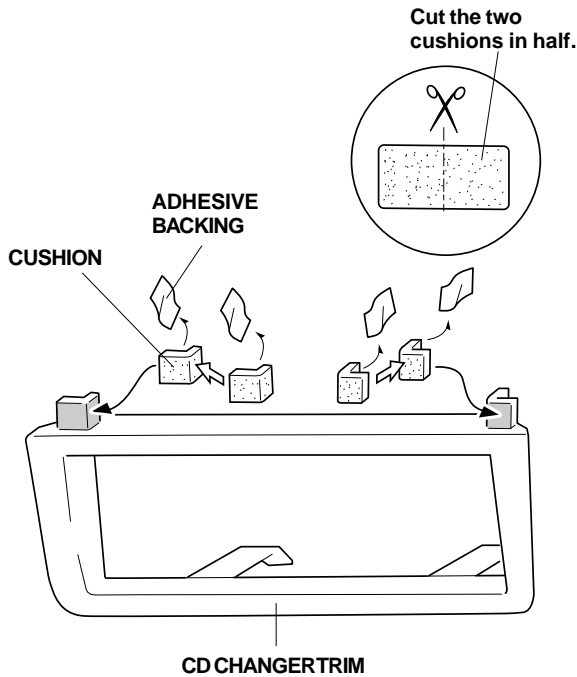
7. Remove the audio unit and pocket from the center panel (four flange bolts and four self-tapping screws).



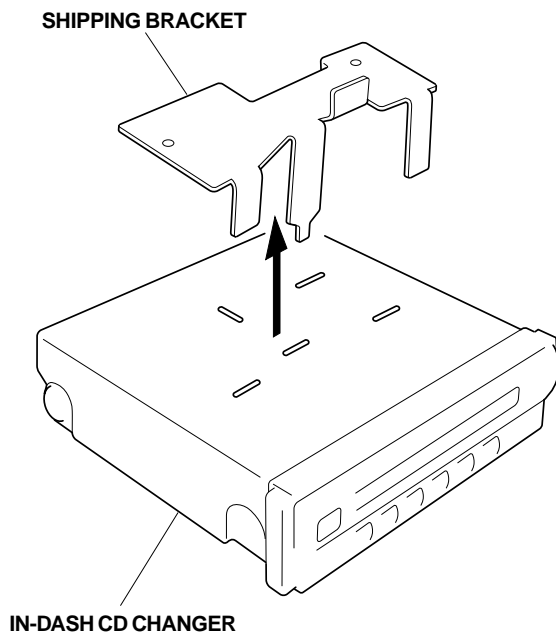
8. Using a utility knife, cut off the bottom rib from the center panel at the lower edge of the audio opening. Remove all burrs.



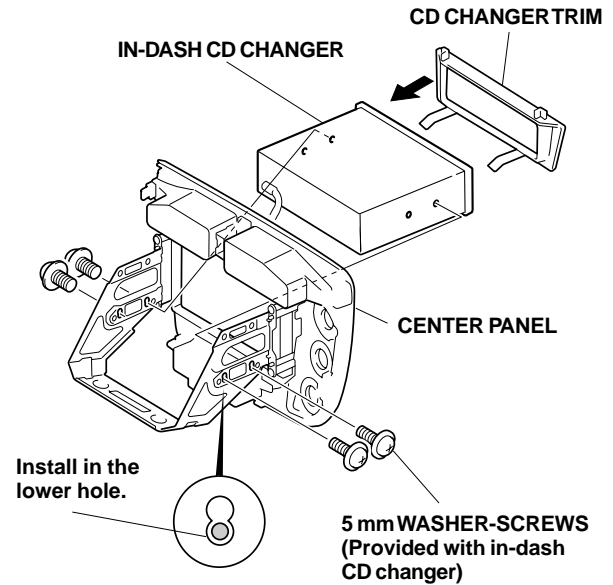
- Using scissors, cut the two cushions in half. Remove the adhesive backing from each cushion, and attach two halves to the CD changer trim in the areas shown.



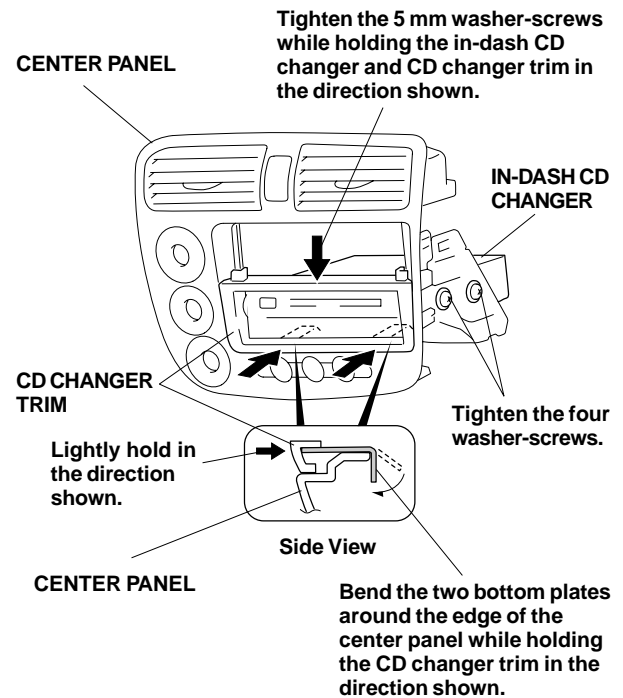
- Remove the shipping bracket from the in-dash CD changer.



- Slide the in-dash CD changer and CD changer trim into the opening of the center panel, and loosely install the four 5 mm washer-screws provided with the in-dash CD changer through the lower holes.

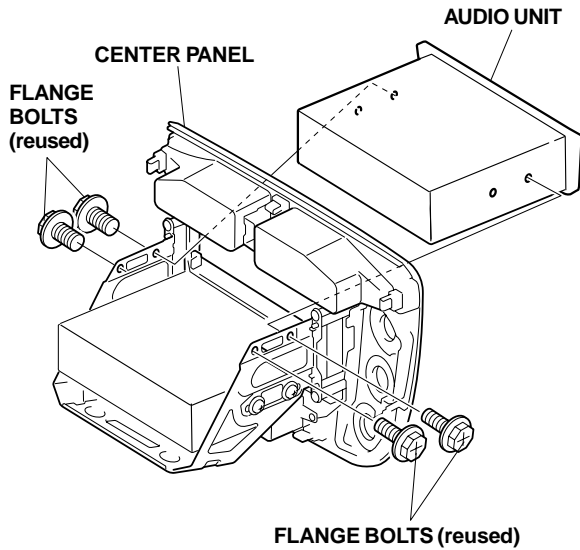


- While holding the in-dash CD changer and CD changer trim in place, tighten the 5 mm washer-screws installed in step 11.

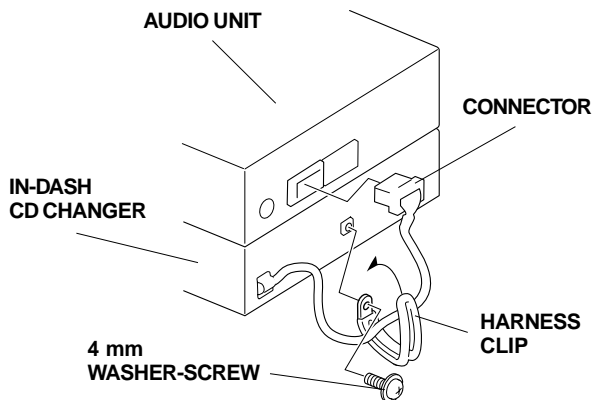


- Bend the two bottom plates of the CD changer trim around the edge of the center panel.

- Slide the audio unit into the opening of the center panel, and reinstall the four flange bolts.

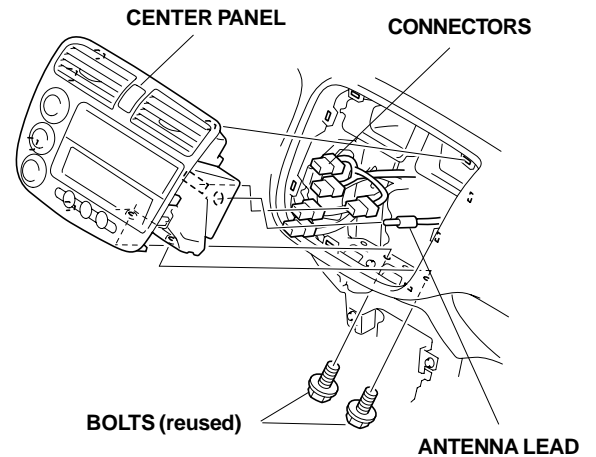


- Attach the harness clip to the rear of the in-dash CD changer with the 4 mm washer-screw.



- Plug the connector from the in-dash CD changer into the rear of the audio unit, and secure the harness with the harness clip.

- Reinstall the heater control panel and knobs on the center panel.



- Plug in the five vehicle harness connectors, then plug the antenna lead into the rear of the audio unit.
- Reinstall the center panel with the two bolts.
- Reconnect the negative cable to the battery.
NOTE: The in-dash CD changer LED will flash.
- Check operation of the in-dash CD changer according to the Owner's Manual supplied with the in-dash CD changer.
- Reinstall all removed parts. Check that all clips are installed securely.
- Enter the anti-theft code, and reset radio station presets. Reset the clock.
- Test the operation of the accessory socket/cigarette lighter.
- Put the CD changer Owner's Manual in the glove box.