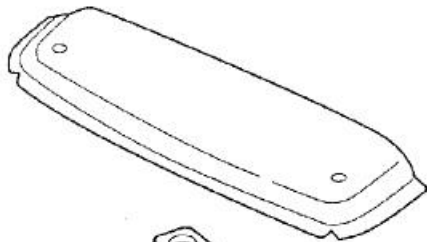
 HONDA INSTALLATION INSTRUCTIONS	Accessory	Application	Publications No.
	MOONROOF VISOR P/N 08R01-S5D-100	2001 CIVIC 2- AND 4-DOOR	All 21907 Issue Date SEP 2000

PARTS LIST

Moonroof visor



2 Stainless steel clips



2 Self-locking nuts



2 Protective tapes



2 Phillips-head screws

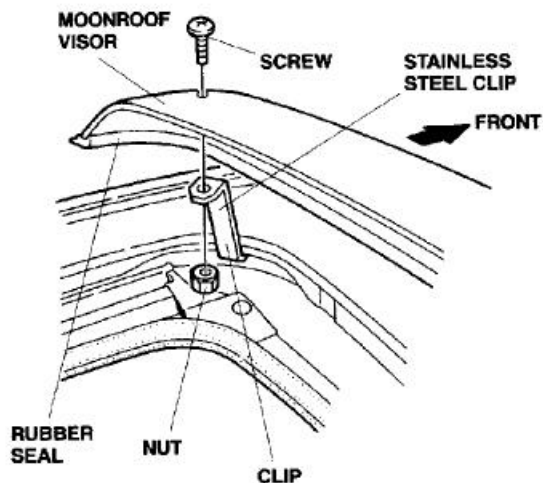


TOOLS AND SUPPLIES REQUIRED

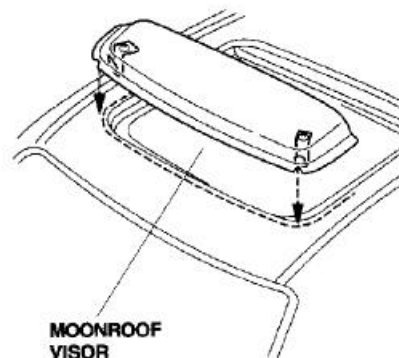
10 mm Combination wrench
#2 Phillips screwdriver
Masking tape
Isopropyl alcohol
Shop towel

INSTALLATION

1. Clean and wax the area to be covered with a high-quality paste wax.
2. Open the moonroof.
3. Insert a Phillips-head screw through each of the holes on the top of the visor; then loosely install the clips and self-locking nuts.



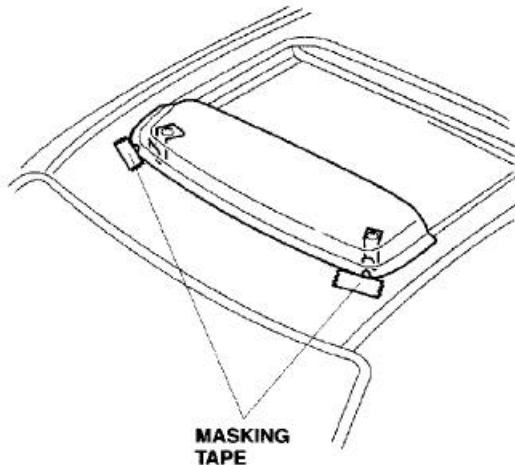
4. Set the moonroof visor on the vehicle's roof, forward of the moonroof opening, and adjust its position so it is equally spaced on all sides.



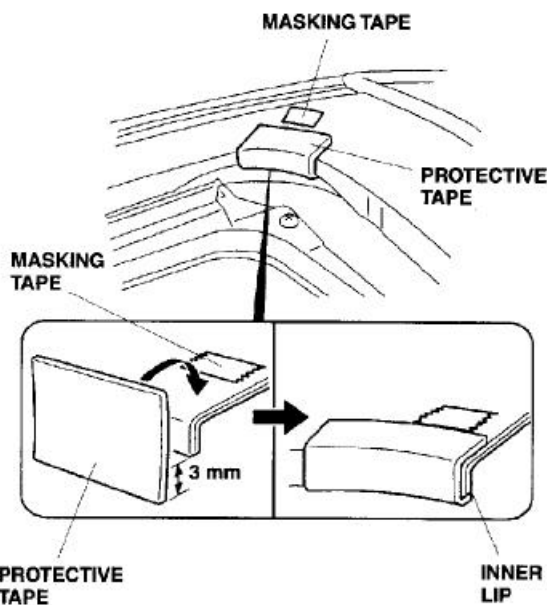
PUB No. Title
AI AII21907 2001 CIVIC MOONROOF VISOR

Issued
09/12/00

5. Attach a short strip of masking tape to both sides of the vehicle's roof ahead of the point where the clips will attach to the moonroof opening. Remove the visor.

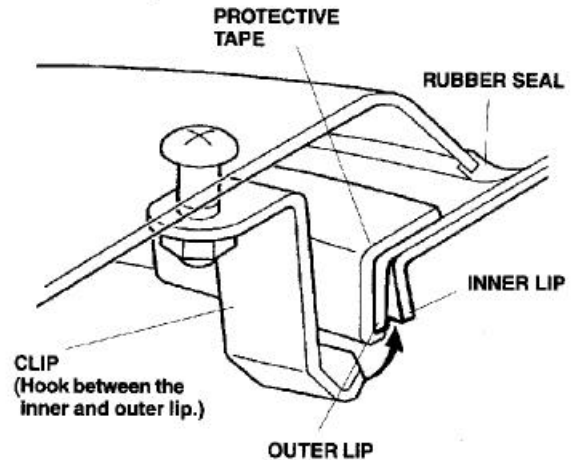


6. Using isopropyl alcohol on a shop towel, clean each corner where the protective tapes will attach; then remove the adhesive backing from one of the protective tapes, and attach the tape to the lip and underside of the moonroof opening, in line with the masking tape. Be sure the tape just touches the *inner* lip on the underside of the moonroof opening. Remove the masking tape.



7. Repeat step 6 on the other side.

8. Reposition the moonroof visor over the moonroof opening. Check again for equal spacing. While holding the moonroof visor in place, hook the clips **between** the *inner* lip and the *outer* lip of the moonroof opening at the taped locations.



9. Check that the rubber seal is not twisted or rolled under the moonroof visor.
10. Tighten the nuts and screws, alternating between sides. Do not overtighten the screws.

CARE OF YOUR MOONROOF VISOR

NOTICE To avoid damaging the surface, never use ammonia-based cleaners or solvents to clean your moonroof visor.

1. Clean with a solution of mild liquid dishwashing soap and water using a soft cloth or chamois.
2. To remove fine scratches and restore the original luster, use Meguiar's Mirror Glaze plastic cleaner and polish or an equivalent high-quality plastic cleaner.