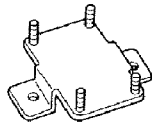
 <b>HONDA</b> <b>INSTALLATION</b> <b>INSTRUCTIONS</b>	Accessory	Application	Publications No.
	CD CHANGER ATTACHMENT	2000 CIVIC 3-DOOR	All 20459
			Issue Date AUG 1999

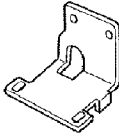
## PARTS LIST

**CD Changer Attachment (sold separately):**  
P/N 08B12-S00-101

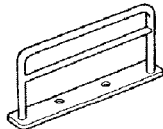
Base bracket



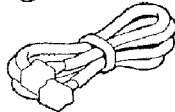
2 Side brackets



Protector



BUS cable



4 Cap nuts, 6 mm



4 Rivnuts, 1/4" – 20  
(1 not used)



Bolt, 1/4" – 20 x 3/4"

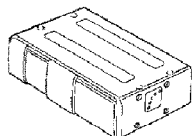


7 Cushion tapes



**CD Changer Kit (sold separately):**  
P/N 08A06-181-420

CDchanger



CDmagazine



Owner's Manual



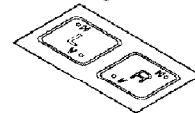
8 Washer-screws, 4 x 6 mm  
(4 not used)



Adhesive seal sheet



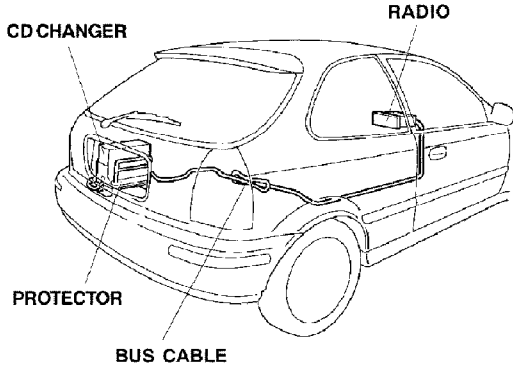
Locking covers



## TOOLS AND SUPPLIES REQUIRED

#2 Phillips screwdriver  
 10 mm Combination wrench  
 7/16" and 3/4" Combination wrenches  
 10 mm and 17 mm Sockets  
 Ratchet  
 Diagonal cutters  
 Flat-tip screwdriver  
 Felt-tip pen  
 Utility knife  
 Scissors  
 Measuring tape  
 Small flat-tip screwdriver  
 Rivnut tool  
 T/N A911A-365-WXXXX  
 Torque wrench  
 Drill  
 3 mm and 8 mm Drill bits  
 Eye protection (face shield, safety goggles, etc.)  
 Center punch

**Illustration of the CD Changer Installed on the Vehicle**

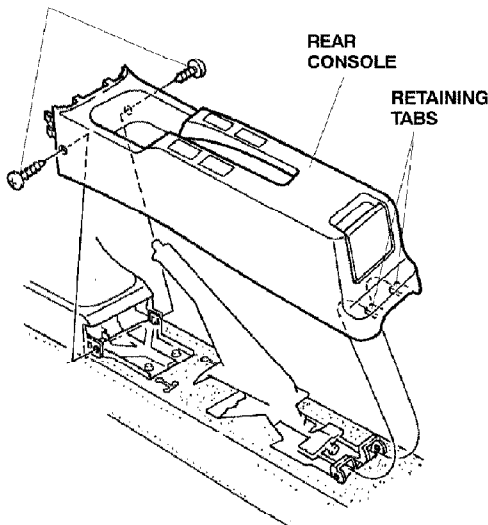


**INSTALLATION**

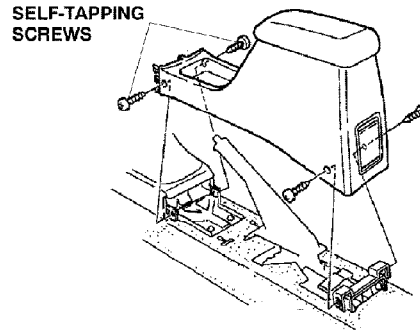
**Customer Information:** The information in this installation instruction is intended for use only by skilled technicians who have the proper tools, equipment, and training to correctly and safely add equipment to your car. These procedures should not be attempted by "do-it-yourselfers."

1. Make sure you have the anti-theft code for the radio, then write down the frequencies for the preset buttons.
2. Disconnect the negative cable from the battery.
3. Remove the rear console.
  - *Without a front armrest:* Remove the two self-tapping screws, and release the two retaining tabs.

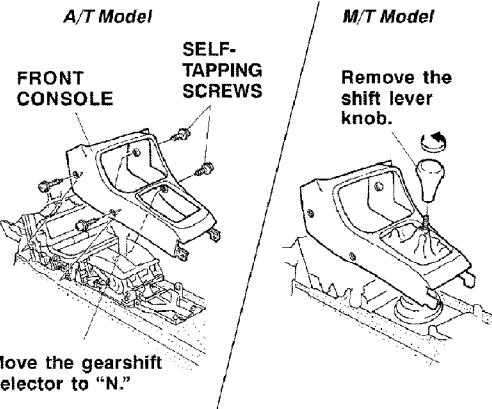
**SELF-TAPPING SCREWS**



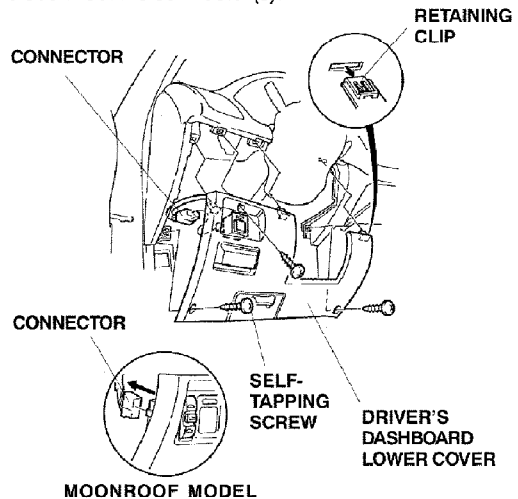
- *With a front armrest:* Remove the four self-tapping screws.



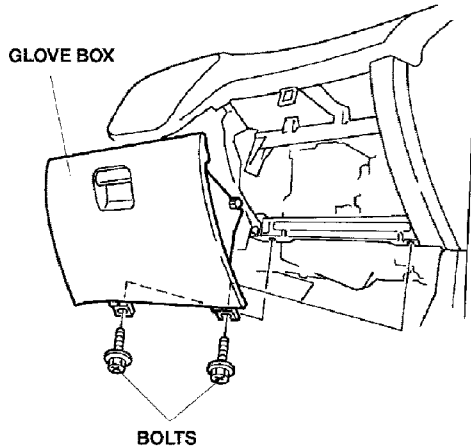
4. Remove the front console (four self-tapping screws).



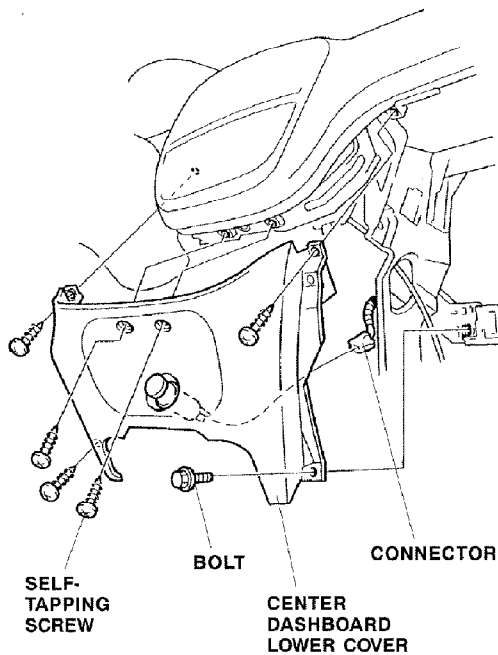
5. Remove the driver's dashboard lower cover (three self-tapping screws, three clips, and pull), then disconnect the connector(s).



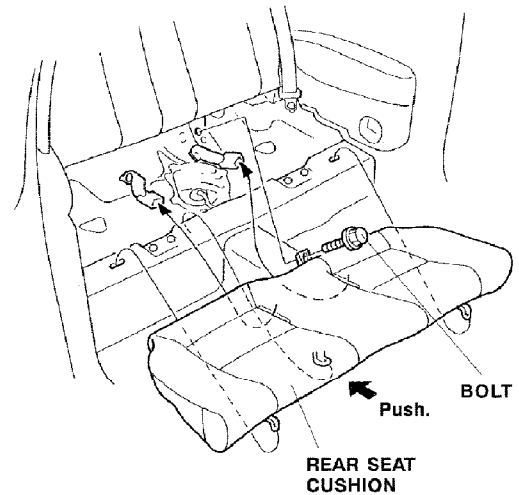
6. Remove the glove box (two bolts).



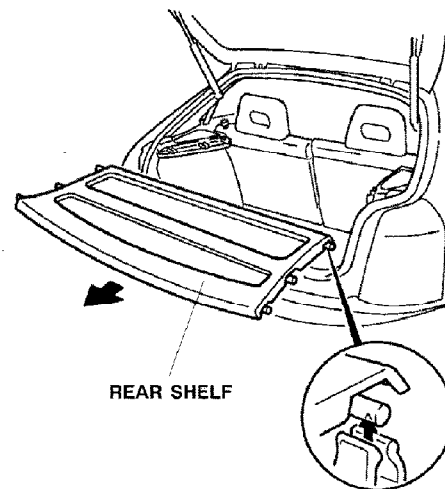
7. Remove the center dashboard lower cover (five self-tapping screws, one bolt, and one connector).



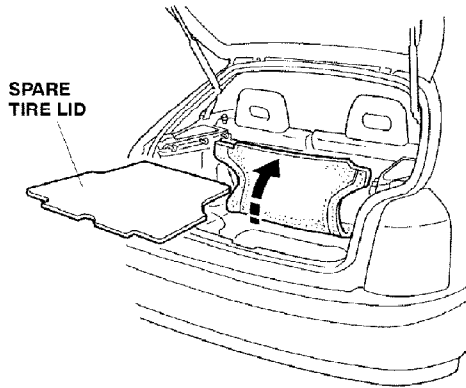
8. Remove the rear seat cushion (one bolt, and lift the rear of the cushion).



9. Remove the rear shelf.

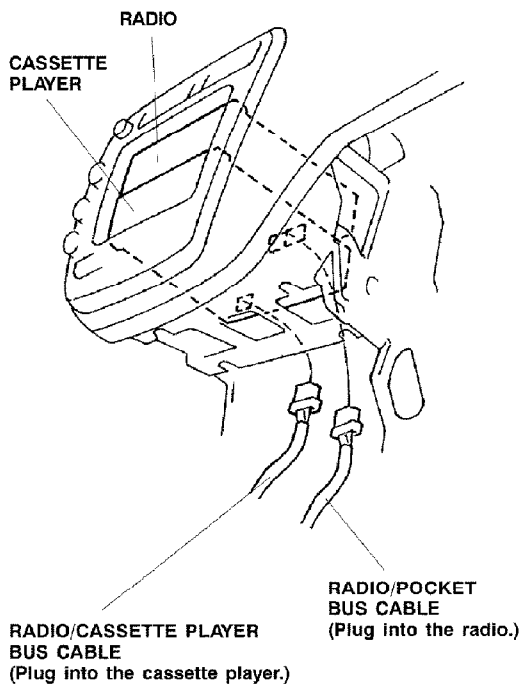


10. Remove the spare tire lid.

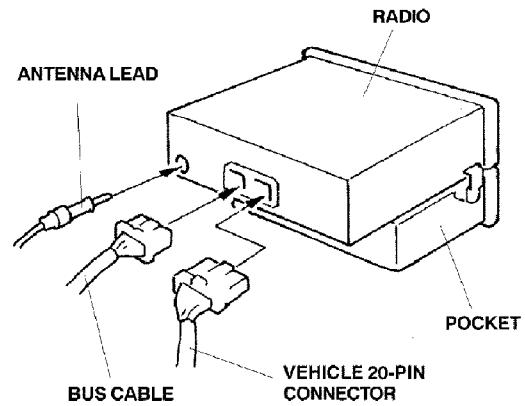


## Routing the BUS Cable

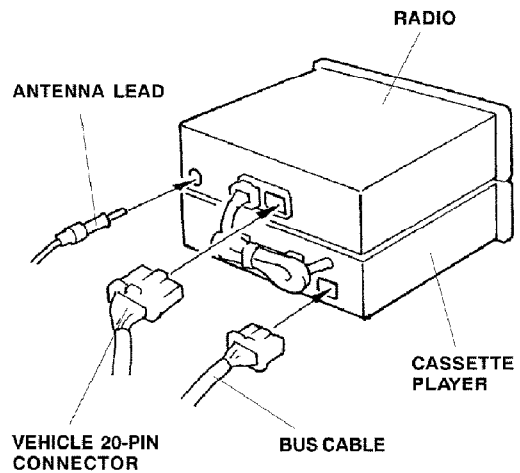
11. Plug the BUS cable connector into the radio. Plug the vehicle 20-pin connector and the antenna lead into the back of the radio/cassette player.



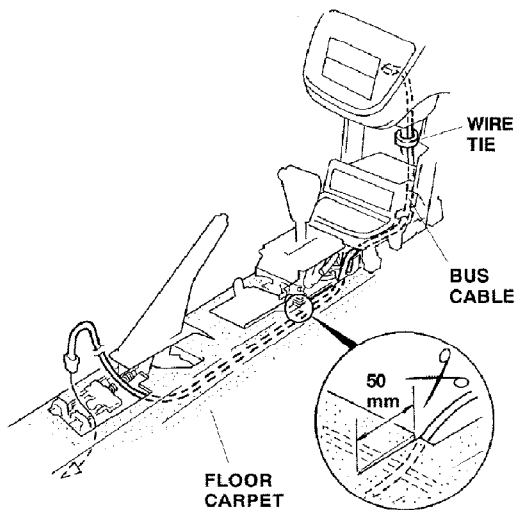
## Radio with Pocket:



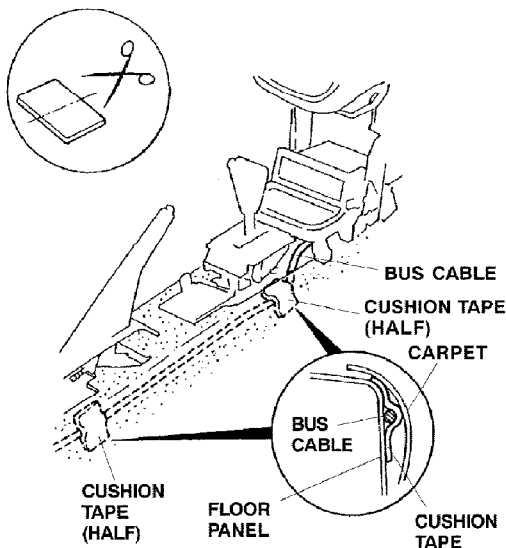
## Radio with Cassette Player:



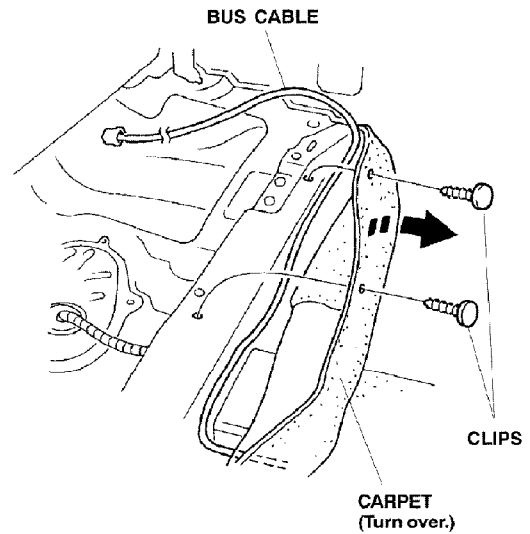
12. Using scissors, cut a 50 mm slit in the floor carpet in the area shown. Do not damage the vehicle harness when cutting the floor carpet.



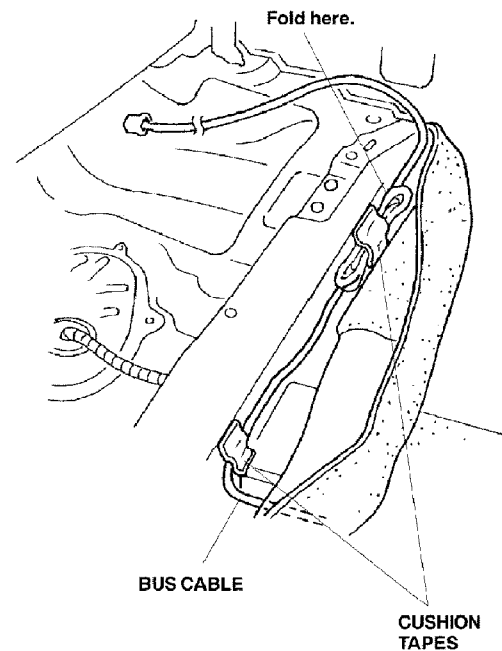
13. Route the BUS cable under the floor carpet toward the rear of the vehicle.
14. Secure the BUS cable to the vehicle harness with one wire tie.
15. Cut a cushion tape in half, and secure the BUS cable to the floor panel with the two pieces of cushion tape in the areas shown.



16. Remove the two clips, turn over the carpet, and route the BUS cable toward the rear of the vehicle.

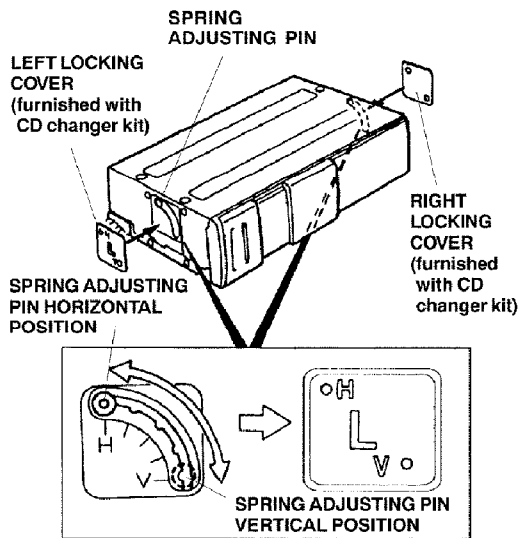


17. Fold the excess BUS cable several times, and secure the excess length with a cushion tape.

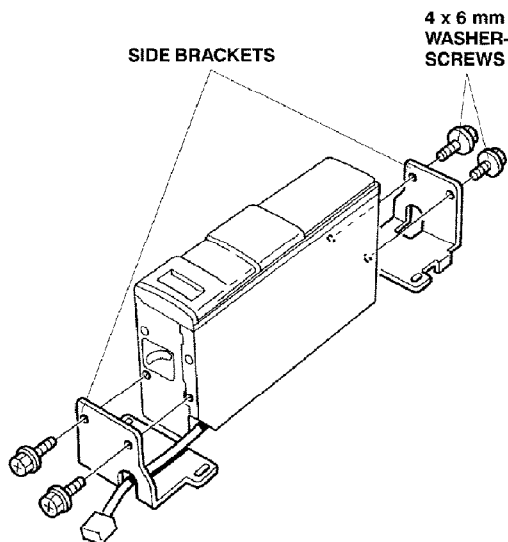


18. Secure the BUS cable to the floor panel with two cushion tapes in the area shown.

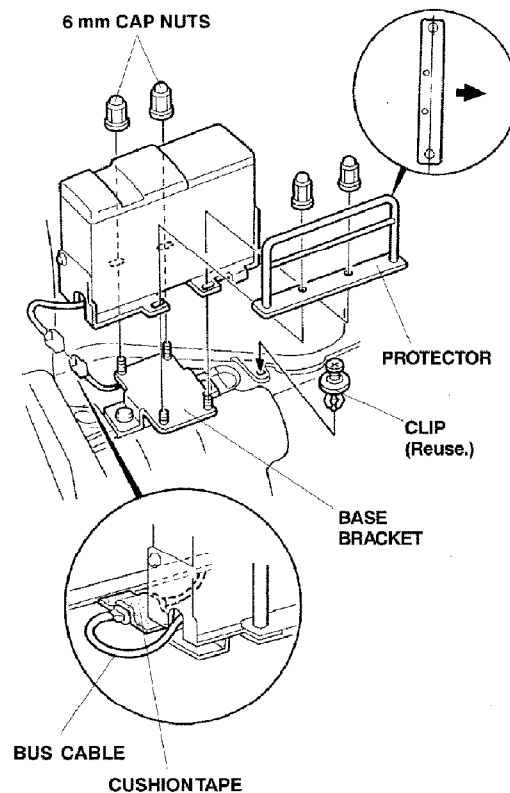
30. Visually check the position of the spring adjusting pins on both sides of the CD changer. If the spring adjusting pins are not in the vertical (V) position, move the pins to the vertical (V) position by sliding them down with an awl.



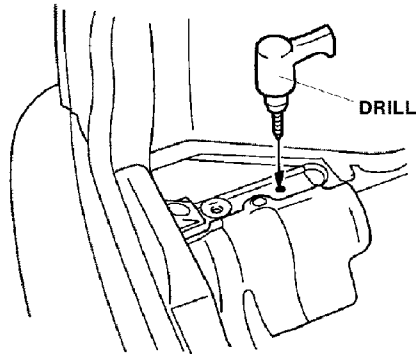
31. Remove the adhesive backings from the "L" and "R" locking covers, and attach them to the sides of the CD changer. Align the two diagonally opposite holes with the H and V positions.
32. Position the side brackets on the CD changer, and install four of the 4 x 6 mm washer-screws supplied with the CD changer kit.



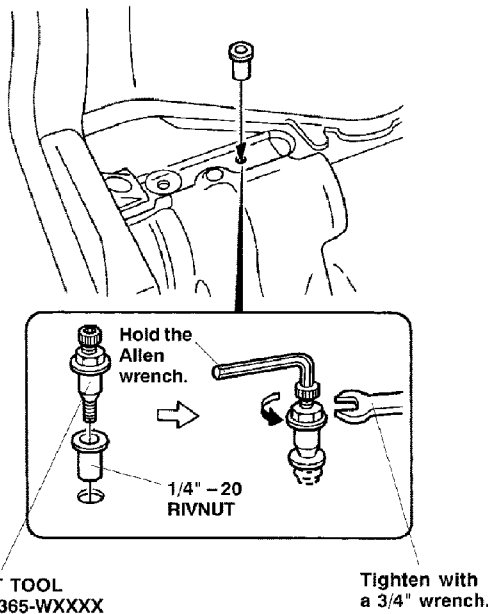
33. Connect the BUS cable to the connector on the CD changer, then position the CD changer onto the base bracket. Install the protector onto the base bracket with holes offset toward the CD changer. Secure the CD changer and protector to the base bracket with the four 6 mm cap nuts. Tighten the nuts securely.



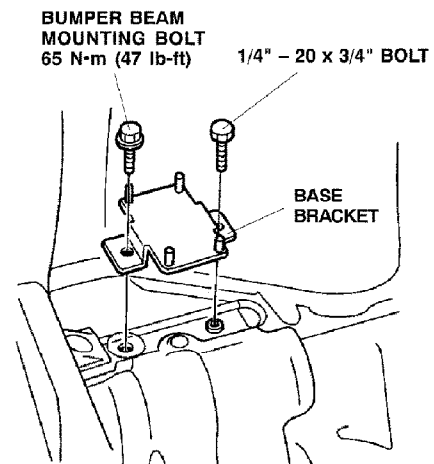
24. While wearing eye protection, drill a 3 mm hole through the mark. Enlarge the hole with a 6 mm drill bit, then finally with an 8 mm drill bit.



25. Remove any burrs from the hole, and trim away approximately 1 mm of the body insulation from around the edge of the hole you just drilled. This will allow the Rivnut to lie flat against the floor panel.
26. Using the Rivnut tool T/N A911A-365-WXXXX and a 3/4" combination wrench, install the 1/4" - 20 Rivnut provided with the kit into the hole in the floor panel.

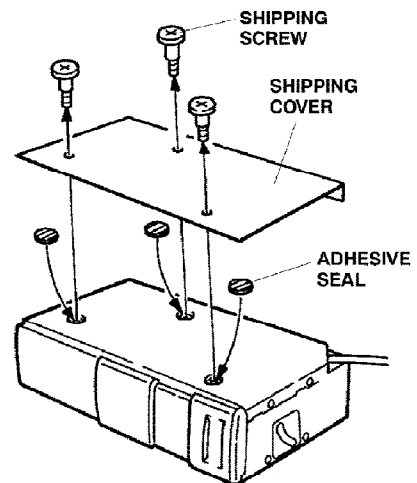


27. Position the base bracket on the floor panel, and install the two bolts. Torque the bumper beam mounting bolt to 65 N·m (47 lb-ft).



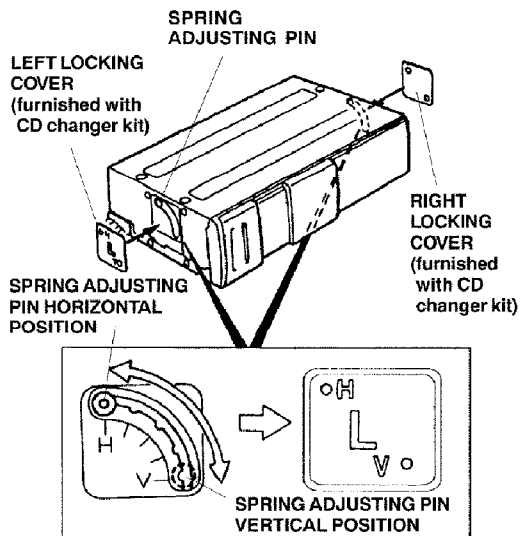
## Installing the CD Changer

28. Carefully unpack the CD changer. Remove the three shipping screws, and discard the shipping cover. Save the shipping screws for your customer in the event the unit needs to be serviced.

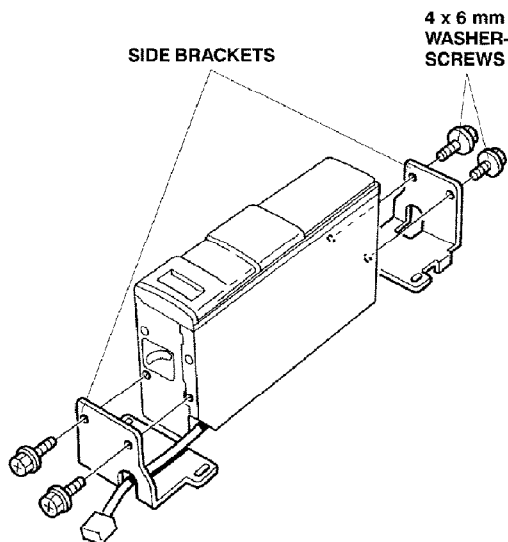


29. Install an adhesive seal (included in the CD Changer Kit) over each of the three shipping screw holes.

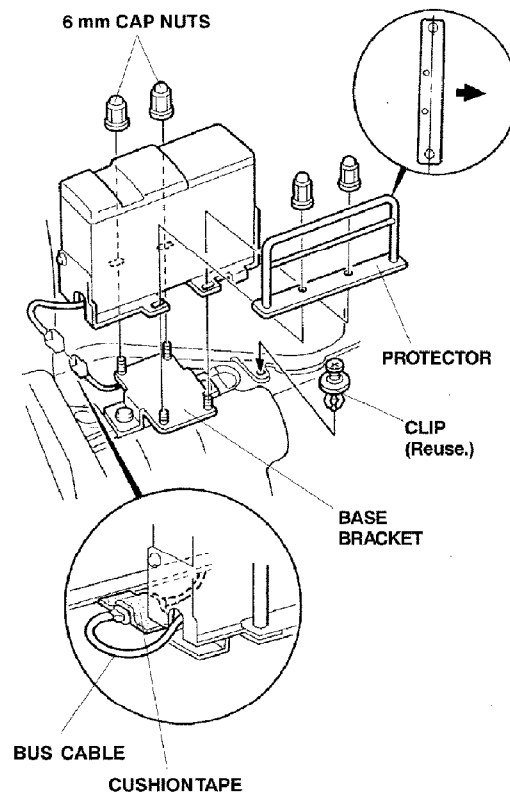
30. Visually check the position of the spring adjusting pins on both sides of the CD changer. If the spring adjusting pins are not in the vertical (V) position, move the pins to the vertical (V) position by sliding them down with an awl.



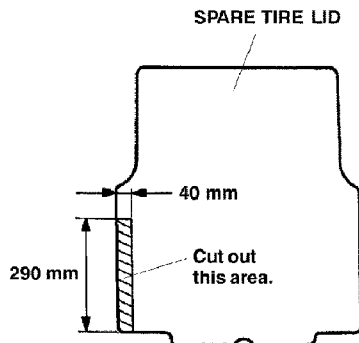
31. Remove the adhesive backings from the "L" and "R" locking covers, and attach them to the sides of the CD changer. Align the two diagonally opposite holes with the H and V positions.
32. Position the side brackets on the CD changer, and install four of the 4 x 6 mm washer-screws supplied with the CD changer kit.



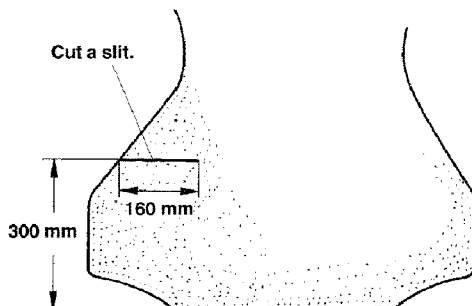
33. Connect the BUS cable to the connector on the CD changer, then position the CD changer onto the base bracket. Install the protector onto the base bracket with holes offset toward the CD changer. Secure the CD changer and protector to the base bracket with the four 6 mm cap nuts. Tighten the nuts securely.



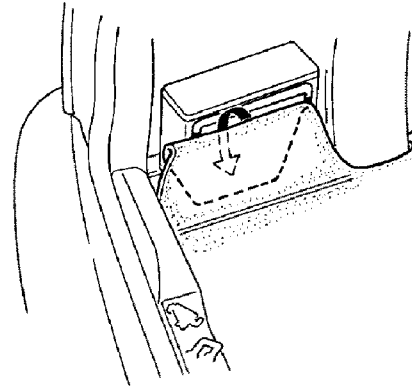
34. Using a measuring tape and a felt-tip pen, measure and mark the spare tire lid as shown; then cut out the marked area with a utility knife.



35. Measure and cut a slit in the floor carpet in the area shown.



36. Reinstall the spare tire and the spare tire lid, then lay down the carpet, and fold the overlap in the direction shown.



37. Check that all wire harnesses are routed properly and all connectors are plugged in.
38. Reconnect the negative cable to the battery.
39. Reset the clock and the radio station presets.
40. Check the operation of the CD changer as described in the Owner's Manual supplied.
41. Reinstall all removed parts.
42. Put the CD changer Owner's Manual and the shipping screws (removed in step 28) in the glove box for your customer.