

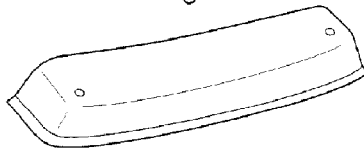
|  |   |  |                                      |
|--|---|--|--------------------------------------|
|  <b>HONDA</b><br><b>INSTALLATION</b><br><b>INSTRUCTIONS</b> | Accessory<br><b>MOONROOF VISOR</b><br>P/N 08R01-SR0-100 | Application<br><b>2000 CIVIC</b><br>4-DOOR | Publications No.<br><b>All 20467</b> |
|  |   |  | Issue Date<br><b>AUG 1999</b>        |

## PARTS LIST

2 Phillips-head screws



Moonroof visor



2 Stainless steel clips



2 Self-locking nuts



2 Protective tapes



## TOOLS AND SUPPLIES REQUIRED

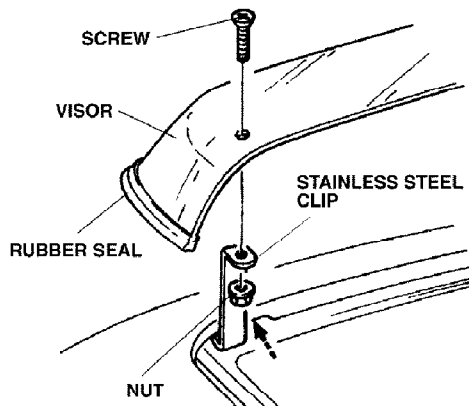
10 mm Combination wrench

#2 Phillips screwdriver

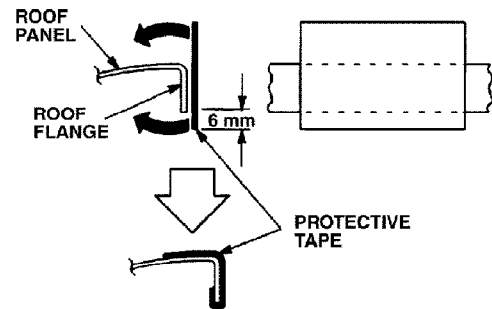
Masking tape

## INSTALLATION

1. Be sure the roof around the front and sides of the moonroof opening have been washed and waxed before installing the visor.
2. Open the moonroof.
3. Insert a Phillips-head screw through each of the holes on the top of the visor; then loosely install the clips and self-locking nuts.



4. Set the moonroof visor on the vehicle's roof, forward of the moonroof opening, and adjust its position so it is equally spaced on all sides.
5. Attach a short strip of masking tape to both sides of the vehicle's roof above the point where the clips will attach to the moonroof opening. Remove the visor.
6. Remove the adhesive backing from one of the protective tapes, and attach the tape to the lip and underside of the moonroof opening, in line with the masking tape. Repeat for the other side. Remove the masking tape.



7. Reposition the moonroof visor over the moonroof opening. Check once again for equal spacing. While holding the moonroof visor in place, hook its clips under the lip of the moonroof opening at the taped locations.
8. Check that the rubber seal is not twisted or rolled under the visor.
9. Tighten the nuts and screws, alternating between sides. Do not overtighten the screws.

## CARE OF YOUR MOONROOF VISOR

1. Never use ammonia-based cleaners or solvents to clean your moonroof visor. They will damage the surface.
2. Clean with a solution of mild soap and water using a soft cloth or chamois.
3. To remove fine scratches and restore the original luster, use Meguiar's Mirror Glaze plastic cleaner and polish or an equivalent high-quality plastic cleaner.