

H HONDA INSTALLATION INSTRUCTIONS	Accessory	Application	Publications No.
	GOLD EMBLEM DX, LX, EX, CX, Si, HX	2000 CIVIC 2/3/4-DOOR	All 20444
			Issue Date
			AUG 1999

PARTS LIST

Gold emblem



Gold emblem "DX" is shown.
Gold emblems LX, EX, CX, Si, and HX are also available.

TOOLS AND SUPPLIES REQUIRED

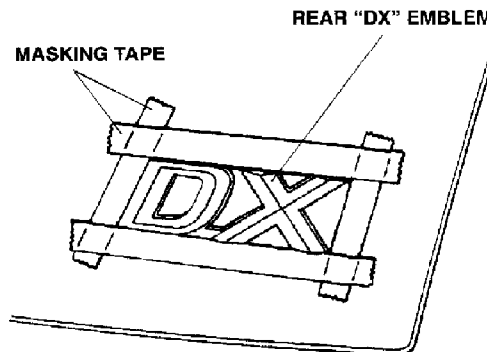
Isopropyl alcohol
Shop towel
Masking tape
String

INSTALLATION

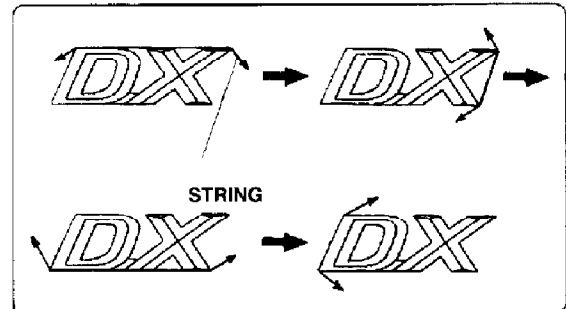
NOTE:

- Be especially careful not to damage the body finish when you remove and install the emblems.
- This emblem kit should be installed only when the ambient air temperature is 60°F (15°C) or above.

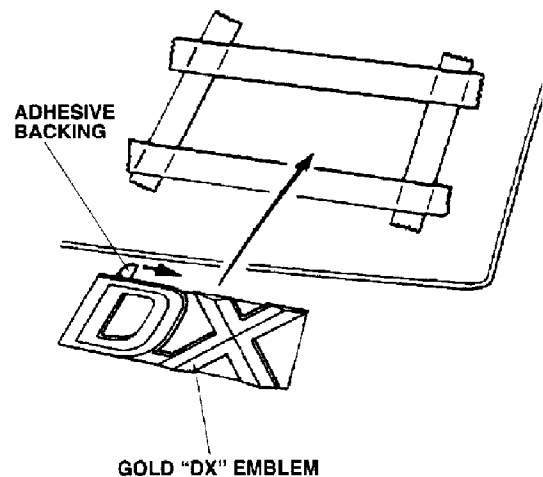
1. Mark the location of the existing "DX" emblem by applying masking tape on the body of the vehicle.



2. Remove the original emblem by cutting the outer edges with a piece of string.



3. Using isopropyl alcohol on a shop towel, clean the area where the emblem was removed.
4. Remove the adhesive backing from the gold "DX" emblem, and attach the emblem to the vehicle so it lines up with the tape.



5. Remove the masking tape.
6. After the emblem kit is installed, tell your customer not to wash the vehicle for 24 hours to give the adhesive time to cure.