 <b>HONDA</b> <b>INSTALLATION</b> <b>INSTRUCTIONS</b>	Accessory	Application	Publications No.
	<b>FULL NOSE MASK</b> <b>P/N 08P35-S01-100J</b>	<b>2000 CIVIC</b> <b>2/3/4-DOOR</b>	<b>All 20443</b>  Issue Date <b>AUG 1999</b>

## PARTS LIST

Mask  
(hood section)

Mask  
(bumper section)

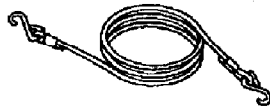
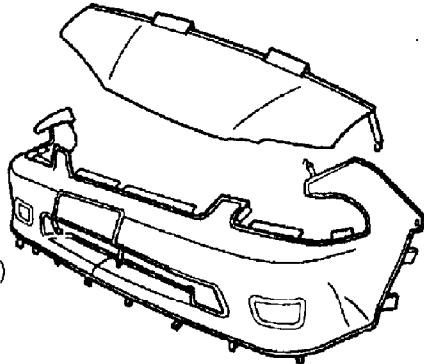
Elastic cord

2 Snap-screws

2 Washers

2 Fenderwell nuts

Storage bag



## TOOLS AND SUPPLIES REQUIRED

Stubby #2 Phillips screwdriver  
Scissors

## INSTALLATION

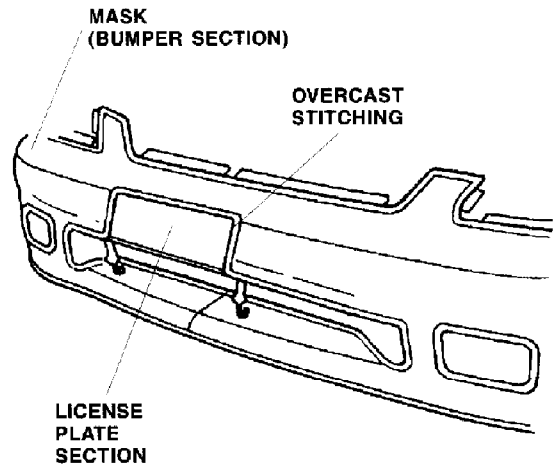
### NOTE:

- Make sure the vehicle and the mask are clean and completely dry before installation. If moisture is present under the mask, it may cloud the paint. If the mask gets wet, remove it and allow it to air-dry completely.
- Make sure any repainted surfaces are cured.
- Make sure the hood and nose of the vehicle have been waxed with a high-quality paste wax.
- Make sure you install the nose mask securely. (If the mask starts to flap or comes loose while driving, safely pull off the highway, stop the vehicle, and secure or remove the mask.)

### Displaying the License Plate

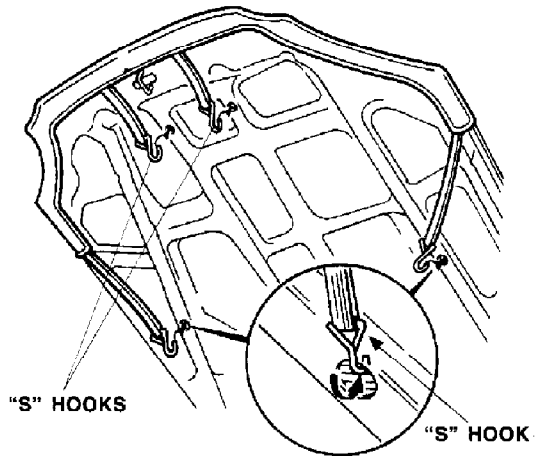
If your state law requires the display of both license plates, cut out the piece of the bumper section that covers the front license plate:

- Face the inside of the mask toward you.
- Carefully cut out the license plate section with scissors at the top seam, and remove the overcast stitching.



## Installing the Hood Section

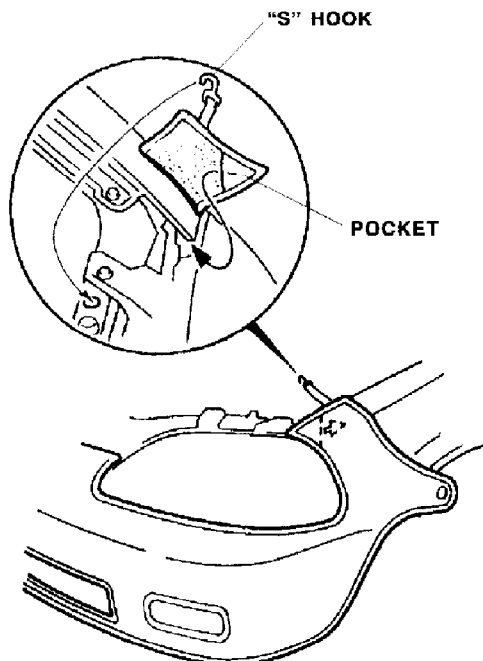
1. Open the hood, then fit the corners of the mask's hood section around the hood. Adjust the mask so that it fits smoothly over the edges. Attach the "S" hooks to the hood.



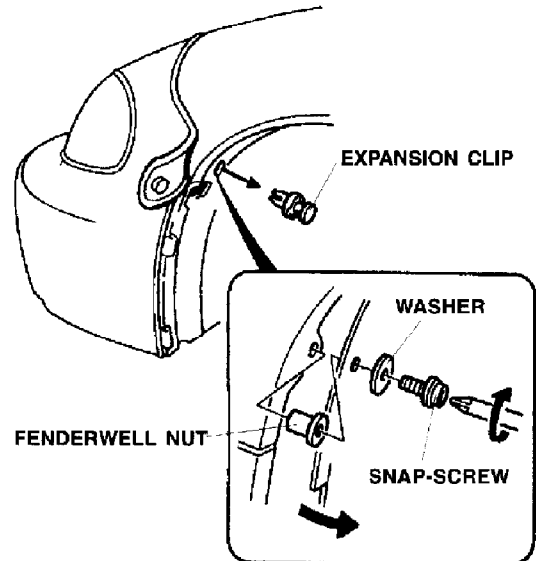
2. Secure the mask by hooking the 4 elastic straps to the holes in the back of the hood.

## Installing the Bumper Section

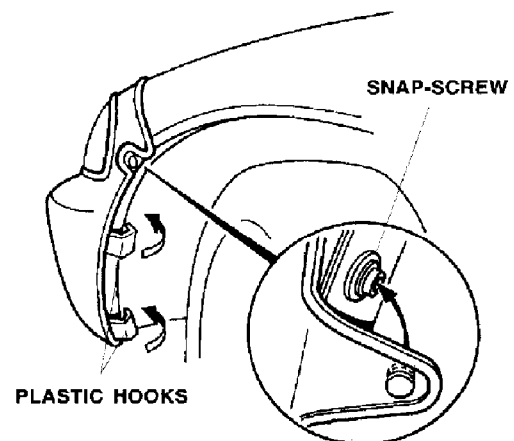
3. Slip the pocket of the mask's bumper section onto the front corner of the fender, then attach the "S" hook into the hole in the front bulkhead. Fit the mask across the bumper, and attach it to the other side in the same way.



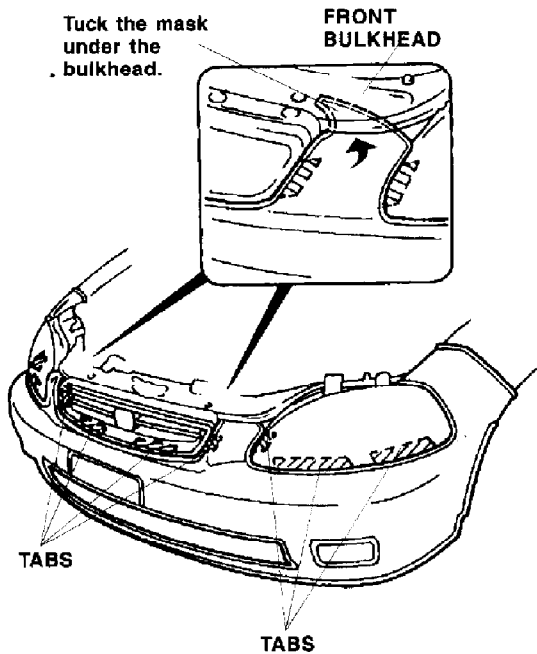
4. Turn the steering wheel all the way to the clockwise.
5. Pry out the expansion clip that holds the inner fender; remove and retain the expansion clip, then clean the area around the hole.



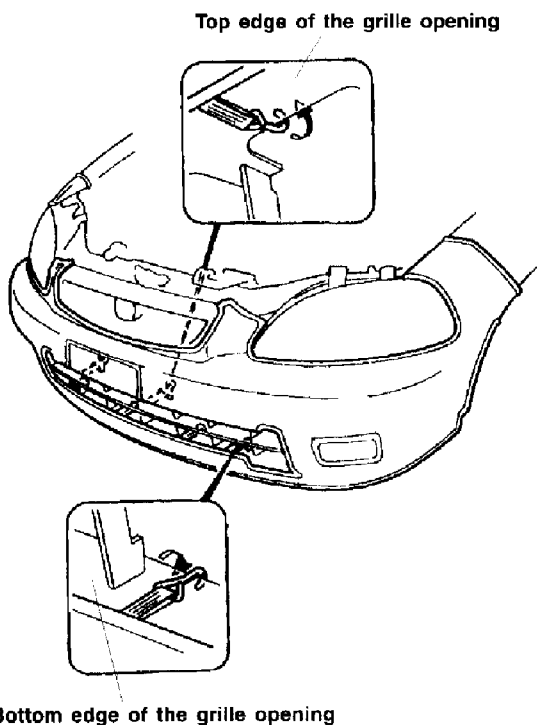
6. Pull out the inner fender, and press one fenderwell nut into the hole in the fender flange.
7. With its washer in place, securely tighten a snap-screw into the fenderwell nut. To help hold the mask in place, snap the mask onto the snap-screw you just installed.
8. Turn the steering wheel all the way to the counterclockwise, and repeat steps 5 through 7 on the other side of the vehicle.
9. On each side, pull the mask back toward the wheelwell, smooth out any wrinkles, and attach the plastic hook to the inside edge of the bumper.



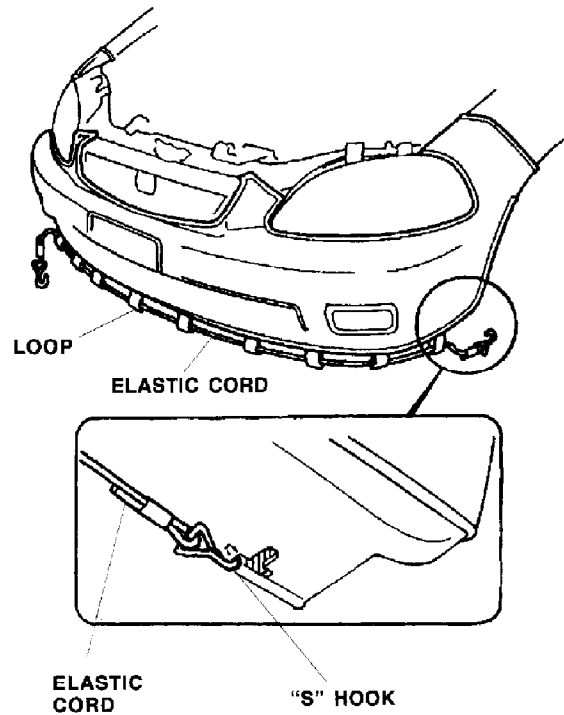
10. Insert the four tabs between the grille and the bumper, then insert the three tabs between the headlights and the bumper on each side. Tuck the end of the mask under the front bulkhead.



11. Attach two "S" hooks to the top edge of the grille opening and four "S" hooks to the bottom edge of the grille opening.



12. Route the elastic cord through the nine loops on the bottom of the mask, then attach the "S" hooks on the elastic cord into the hole in the bumper on both sides.



13. Put these instructions along and the expansion clips (removed in step 5) into the storage bag, and place it into the trunk for future use.

## CLEANING THE NOSE MASK

Use a sponge or cloth and a solution of mild liquid dishwashing soap and water to clean the vinyl and the flannel backing. Rinse the mask completely with clean water and hang it to dry, out of direct sunlight. Make sure the mask is completely dry before you reinstall it.