

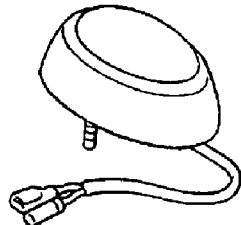


## INSTALLATION INSTRUCTIONS

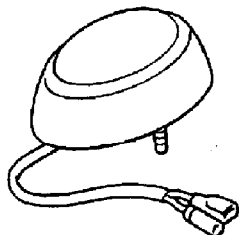
Accessory	Application	Publications No.
FRONT TWEETERS P/N 08A55-371-010	2000 CIVIC 2-DOOR	All 20453
		Issue Date AUG 1999

### PARTS LIST

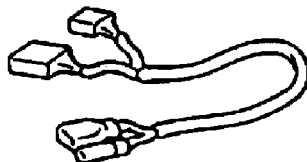
Right tweeter



Left tweeter



2 Sub-harnesses



2- and 3-Door template



4-Door template  
(Not used)



1 Accord template  
(Not used)



2 Cushion tapes



4 Short wire ties  
(not used)



2 Long wire ties



6 Self-tapping screws,  
4 mm x 18 mm (not used)



4 Nuts



4 Washers



6 Washer-screws,  
4 mm x 16 mm (2 not used)



### TOOLS AND SUPPLIES REQUIRED

Phillips screwdriver  
Eye protection (face shield, safety goggles, etc.)  
Drill  
1/2" and 3/16" Drill bits  
7 mm Combination wrench  
Utility knife  
Felt-tip marker  
Center-punch  
Scissors

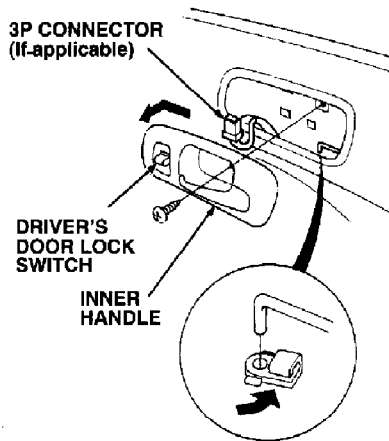
### INSTALLATION

**Customer Information:** The information in this installation instruction is intended for use only by skilled technicians who have the proper tools, equipment, and training to correctly and safely add equipment to your car. These procedures should not be attempted by "do-it-yourselfers."

1. Write down the customer's radio station presets. The radio memory will be erased when you disconnect the battery.
2. Disconnect the negative battery cable from the battery.

3. Remove the inner door handle:

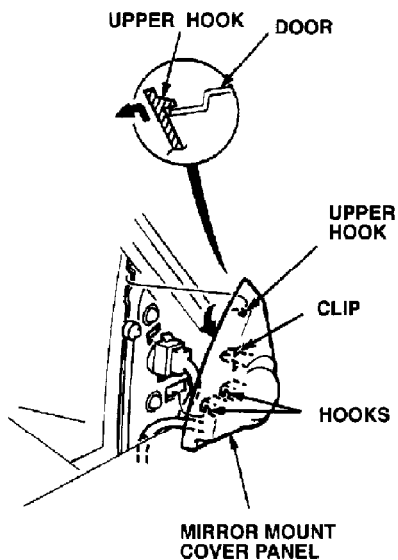
- Remove the self-tapping screw.
- Slide the inner door handle forward, and pull it out of its mounting hole.
- Disconnect the lock rod. If applicable, unplug the connector.



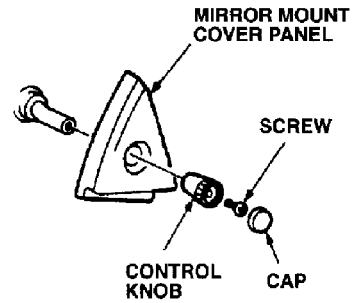
4. Remove the door panel:

- Remove the mirror cover panel.

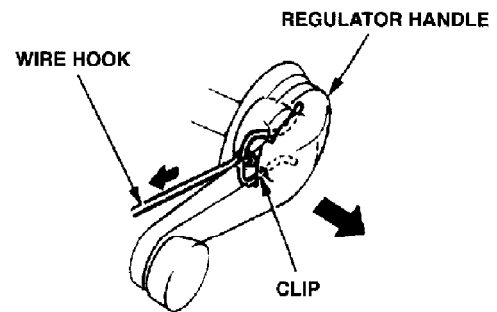
**Power Mirror:**



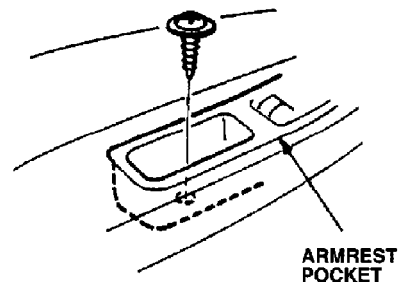
**Manual Mirror:**



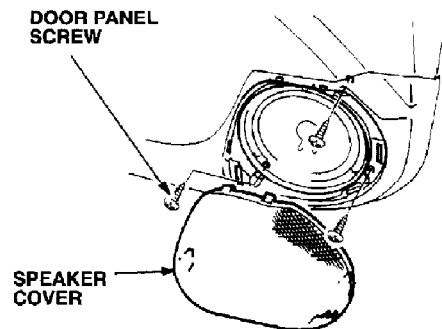
- If applicable, remove the regulator handle by pulling out the clip with a wire hook.



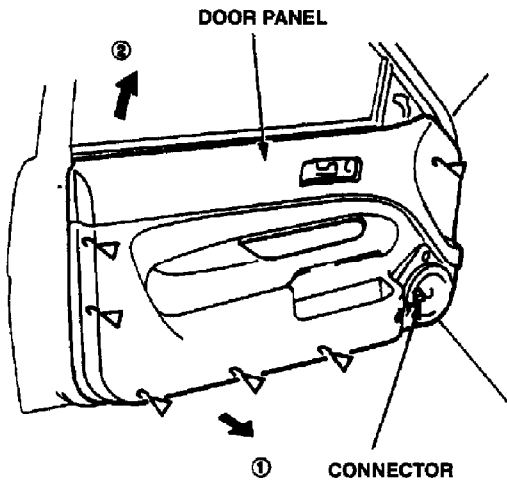
- Remove the armrest pocket. If applicable, unplug the window switch connector.



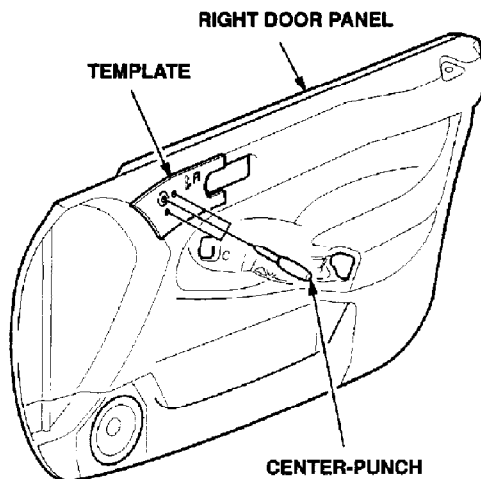
- Remove the speaker cover, then remove the three door panel screws concealed under the speaker cover.



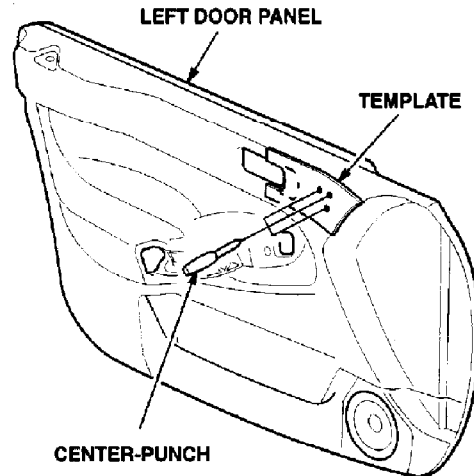
- Release the six door panel clips, disconnect the speaker connector, and remove the door panel.



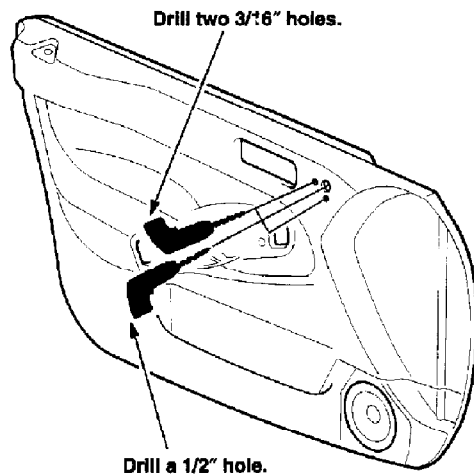
5. Remove the other door panel using steps 3 and 4 as a guide.
6. Get the 2- and 3-door template, and cut it out with scissors.
7. *Mark the right door panel:* Place the template on the door panel, and center-punch the three holes in the template. Remove the template.



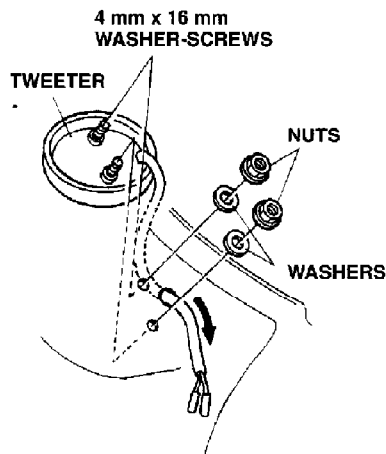
8. *Mark the left door panel:* Turn over the template, and center-punch the door panel through the holes you made in the template. (On vehicles equipped with power door locks, the cutout in the door panel is larger than the cutout in the template; align the template as shown.) Remove the template.



9. While wearing eye protection, drill a 1/2" hole and two 3/16" holes at the marked locations on both door panels.

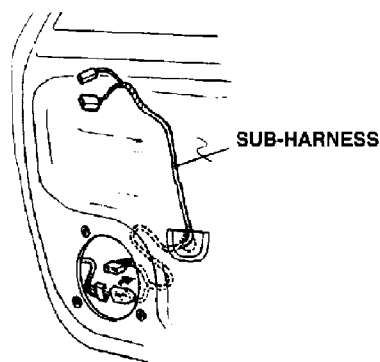


- Using the 4 mm x 16 mm screws, the washers, and the nuts, install the tweeters at the holes you just drilled. (Make sure you install the right tweeter, marked SV4RH, on the passenger's side door panel, and the left tweeter, marked SV4LH, on the driver's side door panel.)



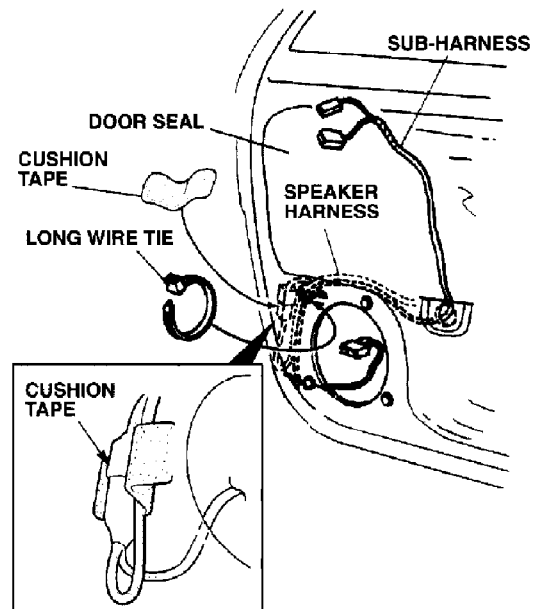
SV4RH: Right (passenger's side) tweeter  
SV4LH: Left (driver's side) tweeter

- Route one of the sub-harnesses through the hole in the door seal.



- Connect the sub-harness to the vehicle speaker wire harness.

- Secure the sub-harness to the speaker harness with one of the long wire ties, but don't pull the wire tie tight at this time.



- Route the sub-harness as shown, and check that the sub-harness is not too tight or too loose, then tighten the wire tie you installed in step 13. Cut off the excess length from the wire tie.
- Attach the sub-harness to the door seal with one of the cushion tapes.
- Connect one end of the sub-harness to the speaker, and the other end to the tweeter.
- Repeat steps 11 through 16 to install the other sub-harness in the other door.
- Check that all wire harnesses are routed properly and all connectors are plugged in.
- Reinstall the door panels.
- Reconnect the negative cable to the battery, and reset the clock and the radio station presets.
- Turn on the radio, and check the operation of the tweeters and the speakers.