



INSTALLATION INSTRUCTIONS

Accessory

SIDE UNDER SPOILER

Application

CIVIC SI

Publications No.

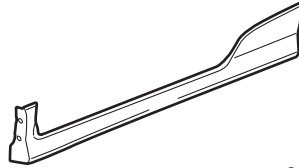
All 26473

Issue Date

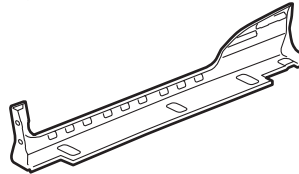
NOV 2003

PARTS LIST

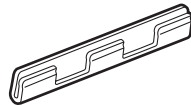
Left side under spoiler



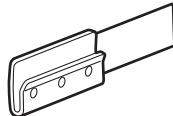
Right side under spoiler



6 Plates



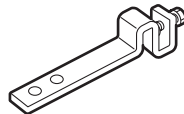
8 Clips



Template



6 Brackets



12 Screws



4 Washers



TOOLS AND SUPPLIES REQUIRED

Phillips screwdriver

Flat-tip screwdriver

Isopropyl alcohol

Shop towel

Felt-tip pen

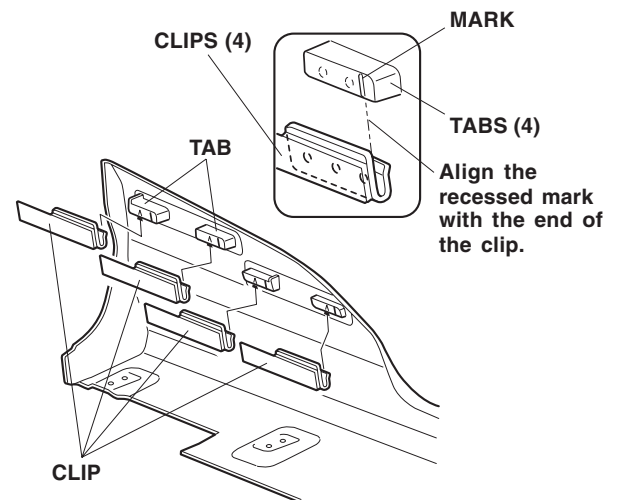
Measure

Adhesive tape

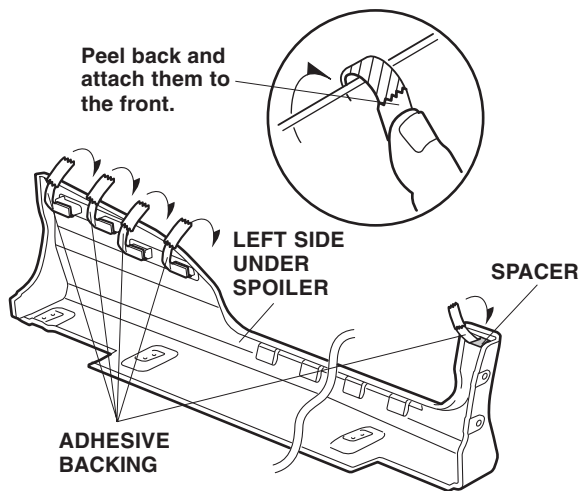
INSTALLATION

NOTE:

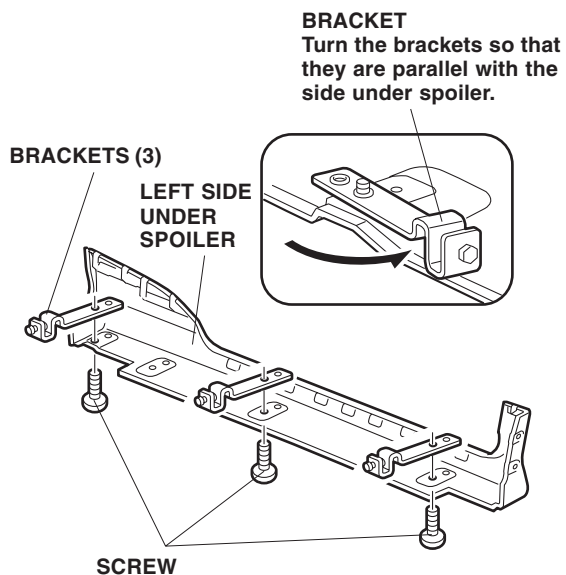
- Be careful not to damage the body finish when installing the side under spoiler.
 - Make sure the area to be covered is clean and waxed with a high-quality paste wax. To prevent spilling, use a shop towel to apply isopropyl alcohol, and wipe up spilled alcohol at once. Allow the isopropyl alcohol to dry thoroughly before installing the spoiler.
 - Before removing parts, note their locations so they can be reinstalled in their original locations properly.
 - This side under spoiler kit should be installed only if the outside air temperature is 60°F (15°C) or above.
1. Align the marks on tabs on the left side under spoiler with the end of the clips, then slide the four clips into place on the four tabs until the recessed mark on the inside of the tabs are fitted to the round holes in the back of the clips.



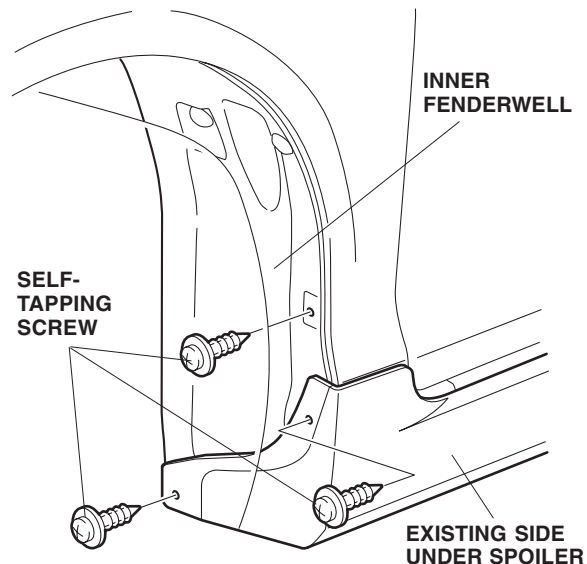
- On the left under spoiler, attach strips of masking tape to the ends of the five adhesive backings on the backs of the four clips and the spacer. Peel back about 3 to 5 cm (1 to 2 in.) of each tape strip. Fold the tape strip diagonally toward the outside, then temporarily attach them to the front of the spoiler with the masking tape.



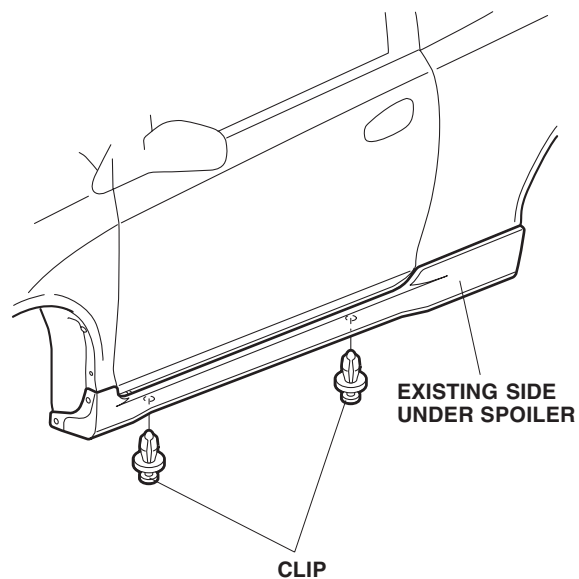
- Position the three brackets on the left side under spoiler, and install a screw for each. Do not tighten the screws yet. Turn all brackets so that they are parallel with the side under spoiler as shown.



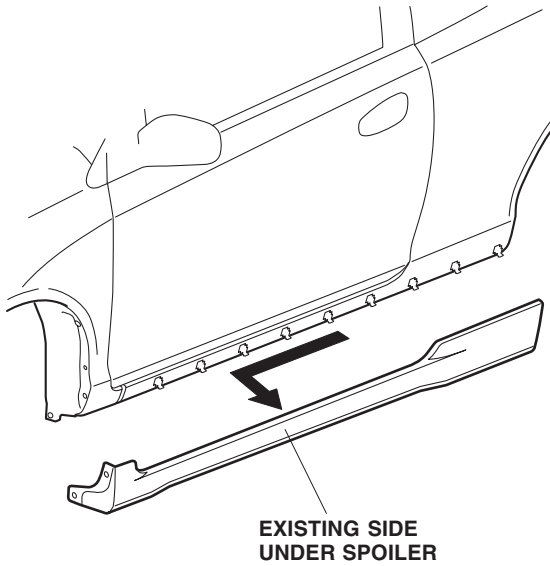
- Turn the steering wheel all the way counterclockwise to provide access to the left front fenderwell.
- Remove three self-tapping screws from the inner fenderwell and the existing side under spoiler.



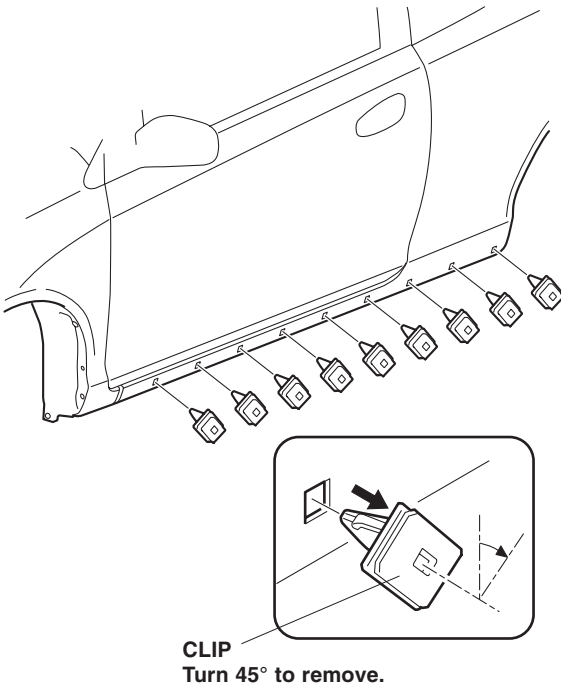
- Remove two clips from the underside of the existing side under spoiler.



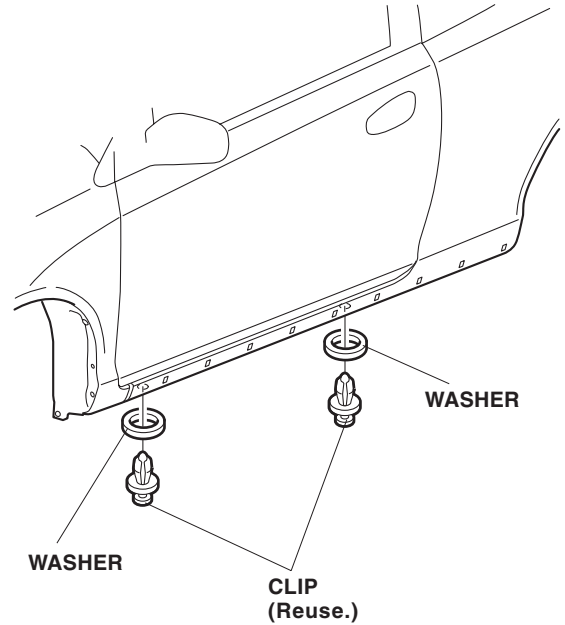
7. Remove the existing side under spoiler by sliding it forward and out toward you.



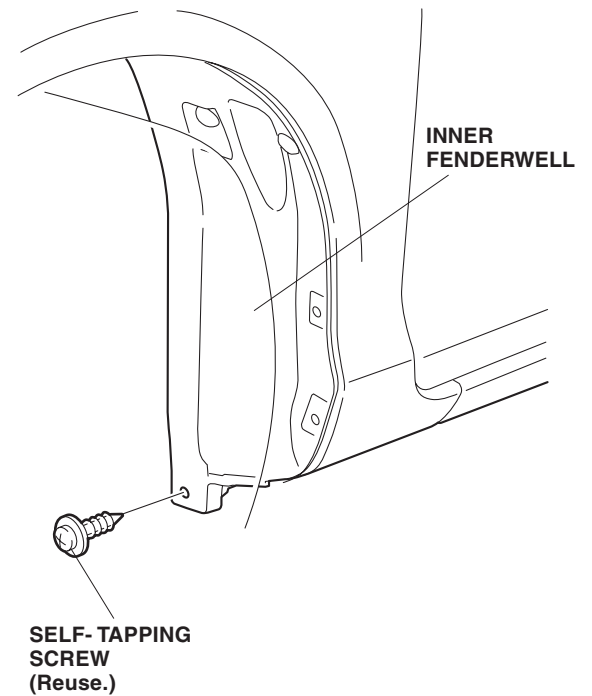
8. Remove the nine clips from the side sill by turning them 45 degrees.



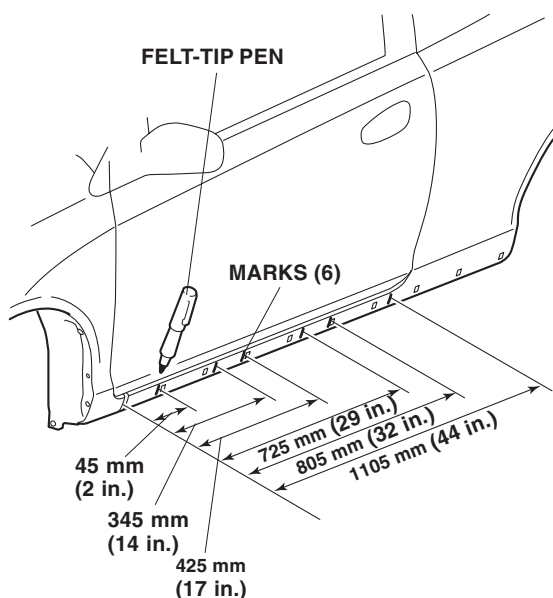
9. Install two clips (reused) and two washers to the underside of the body.



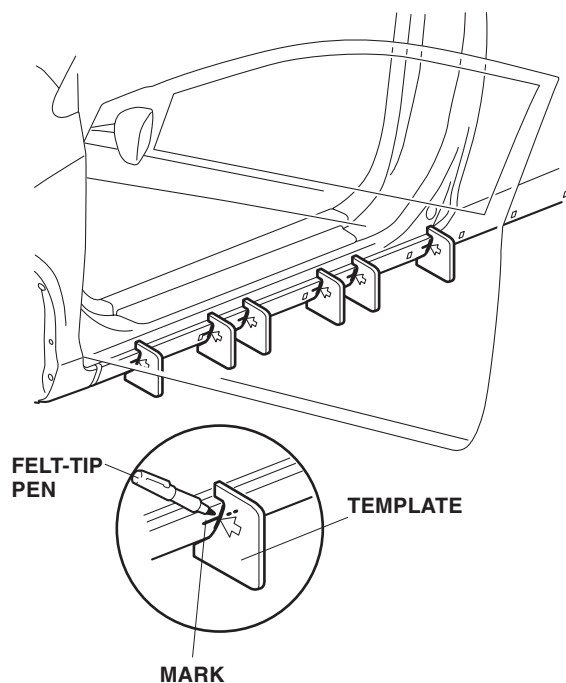
10. Reinstall one self-tapping screw to the inner fenderwell.



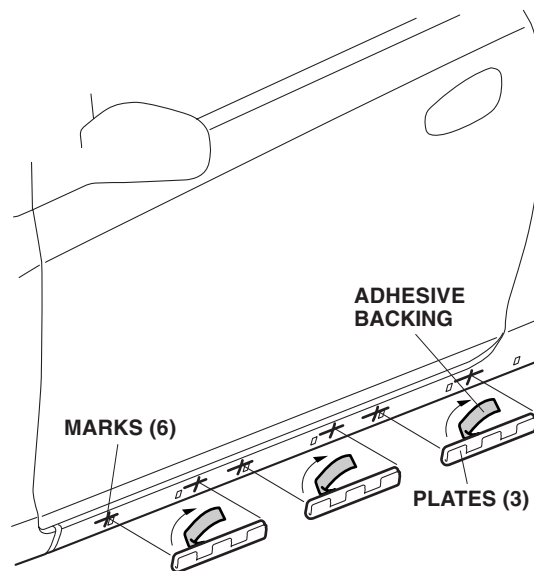
- Using isopropyl alcohol on a shop towel, clean the area where the plate will attach.



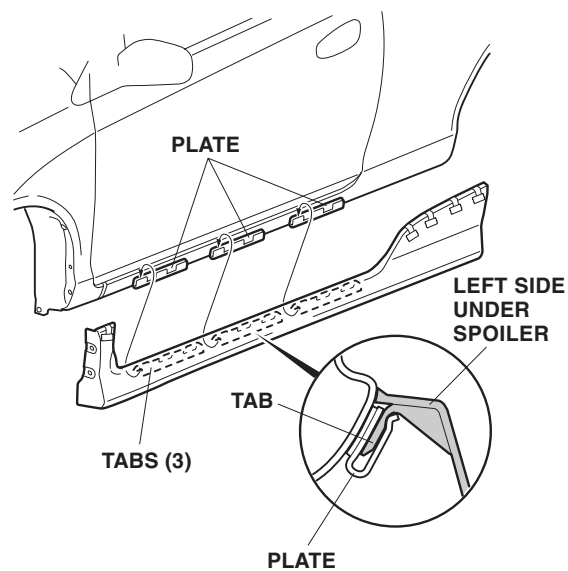
- Using the felt-tip pen, measure and mark the body area shown.
- Open the door, align the template with each mark, and mark the body at the six locations as indicated by the arrow on the template.



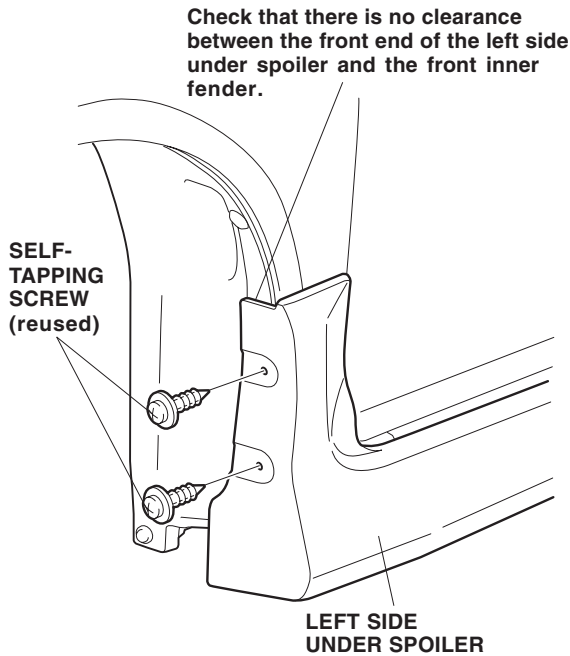
- Remove the adhesive backing from three plates.



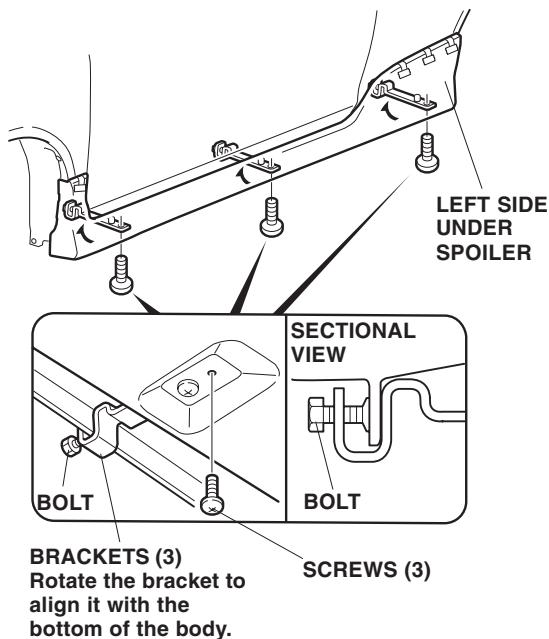
- Align the three plates with the marks you just made in steps 11 to 13, and attach the three plates onto the body.
- Press the plates firmly against the body with the palm of your hand for 30 seconds.
- Insert the three tabs on the side under spoiler into the three plates. Make sure you insert the tabs into the plates securely.



- Align the front of the left side under spoiler with the front inner fender without clearance.

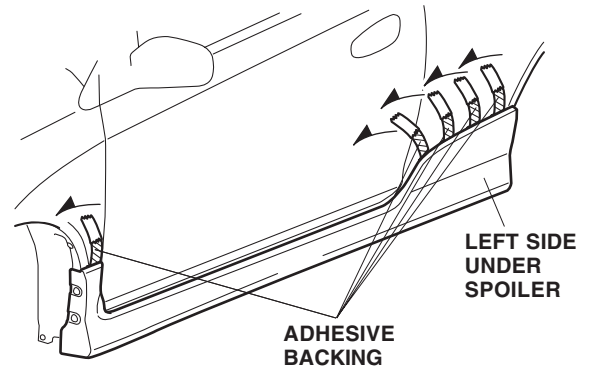


- Install two self-tapping screws (reused) to the side under spoiler.
- Align the three brackets with the bottom of the body by rotating them, then install the three screws. Tighten the screws securely.



- Tighten the three bolts on the brackets to the left side under spoiler.

- While holding pressure on the left side under spoiler, carefully and slowly remove the adhesive backings. After installing, hold the spoiler firmly against the body with the palm of your hand for 30 seconds.



- Turn the steering wheel all the way clockwise, and repeat steps 1 through 22 to install the right side under spoiler.

NOTE: After the side under spoiler kit is installed, tell your customer not to wash the vehicle for 24 hours to allow the adhesive tape to cure.