



INSTALLATION INSTRUCTIONS

Accessory

TAILGATE SPOILER

Application

CIVIC SI

Publications No.

All 26469

Issue Date

NOV 2003

PARTS LIST

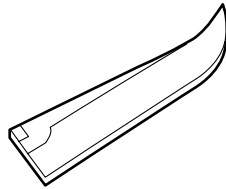
Tailgate spoiler



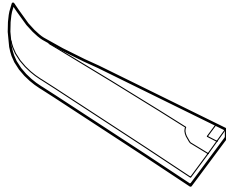
2 Nuts



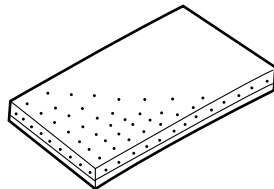
Film tape (Right)



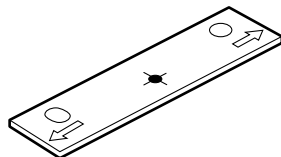
Film tape (Left)



EPT sealer



Template



Primer



TOOLS AND SUPPLIES REQUIRED

Flat-tip screwdriver

Ratchet

10 mm Socket

Isopropyl alcohol

Shop towel

Drill

3 mm Drill bits

Hole saw (20 mm)

Center punch

Eye protection (face shield, safety goggles, etc.)

Adhesive tape

String

Utility knife

Paper towels

Neutral detergent solution

Squeegee (plastic)

Spray bottle

Masking tape

Contact cleaner

INSTALLATION

NOTE:

- Be careful not to damage the tailgate and the body paint finish.
- Before removing parts, note their locations so they can be reinstalled in their original locations properly.
- This tailgate spoiler kit should be installed only if the outside air temperature is 60°F (15°C) or above.
- To allow the adhesive to “cure,” do not wash the vehicle for 24 hours.
- Read the label on the primer before using the primer.
- Prepare the neutral detergent solution in the ratio shown. Use the neutral detergent solution in a spray bottle.

Summer:

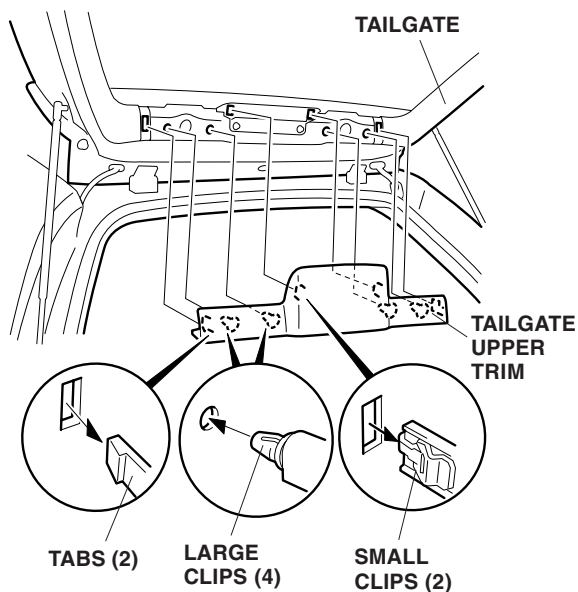
Water : Neutral detergent	100 : 1
---------------------------	---------

The solution should be thick in summer and thin (500:1) in winter.

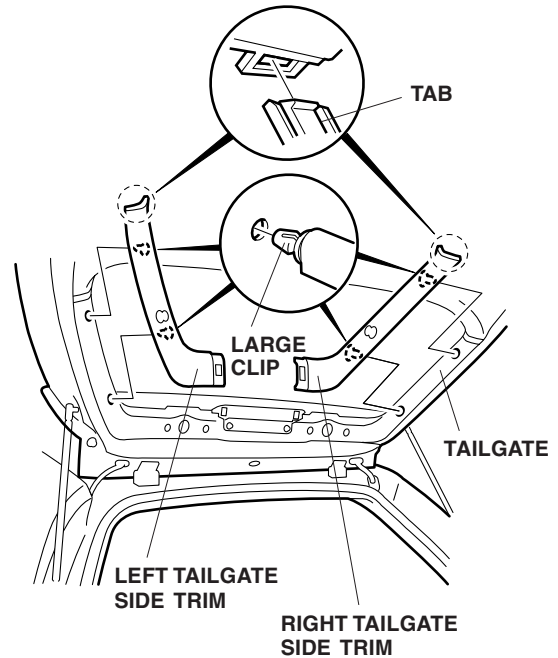
Winter:

Water : Neutral detergent	500 : 1
---------------------------	---------

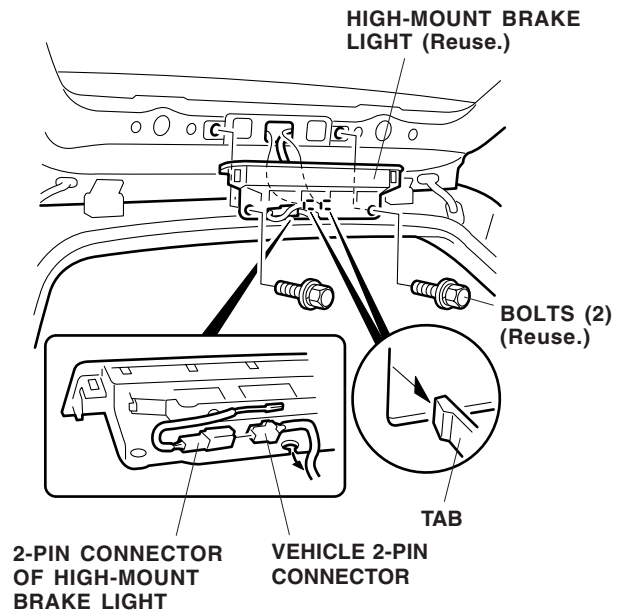
1. Open the tailgate, and pull the tailgate upper trim toward you to remove it (two small clips, four large clips, and three tabs).



2. Pull the right and left tailgate side trims out toward you to remove the side trims (two large clips and one tab).

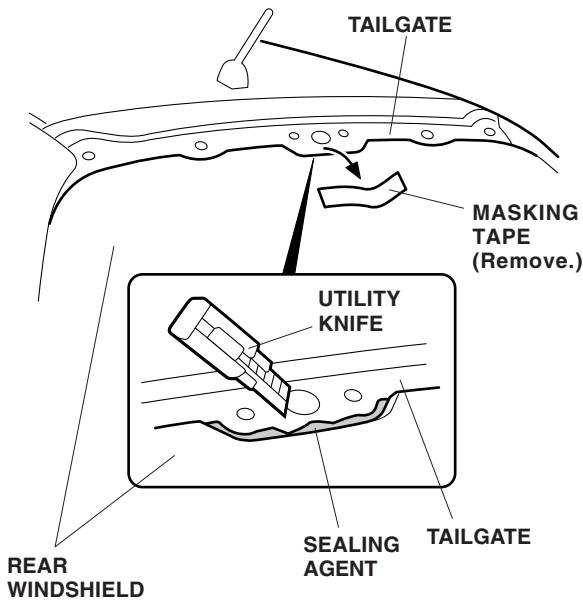


3. Remove the high-mount brake light from the tailgate (two bolts and two tabs).

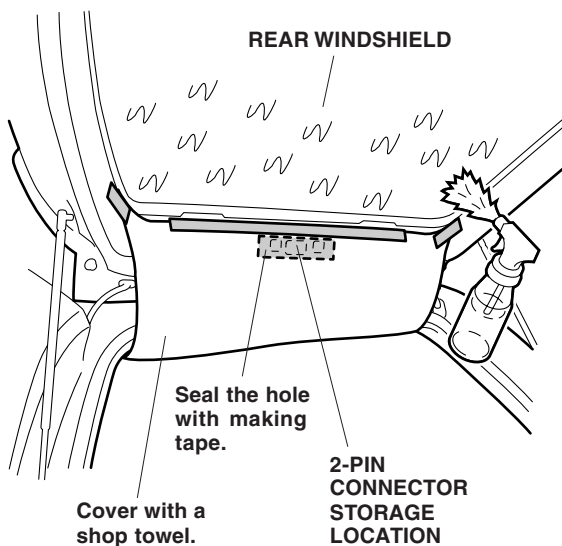


4. Disconnect the 2-pin connector on the rear of the vehicle high-mount brake light from the vehicle 2-pin connector, and remove the high-mount brake light from the tailgate.

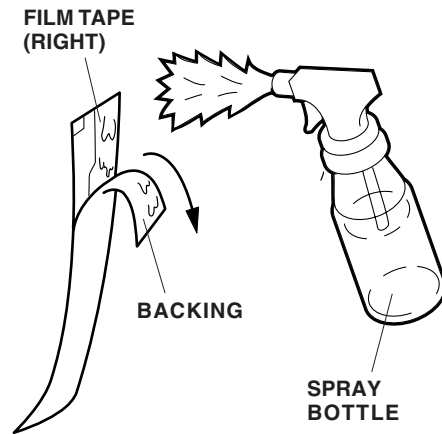
- Remove the masking tape. If the sealing agent projects at the upper edge of the rear windshield as shown, use a utility knife to cut it off.



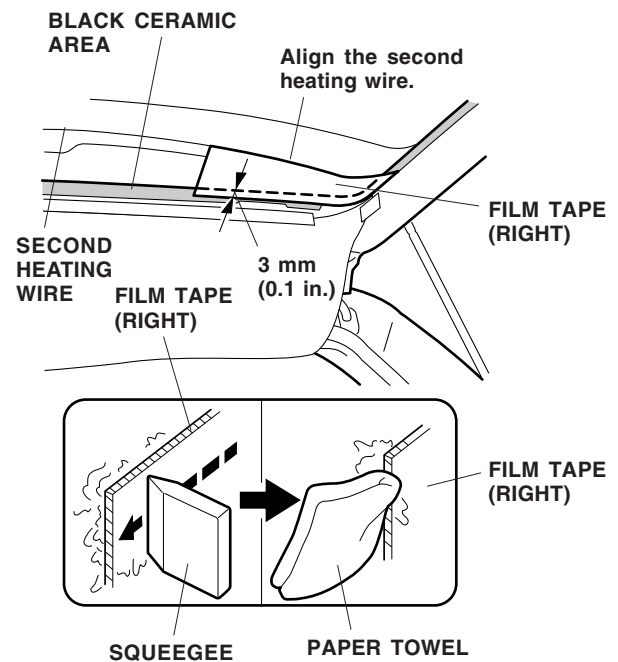
- Open the tailgate, and use isopropyl alcohol to clean the surface on the inside of the rear windshield where the film tape will attach.
- Seal the hole at the center of the tailgate and its surroundings with tape as shown. To prevent entry of detergent solution, use tape to attach a shop towel on top, and spray 100:1 detergent solution with the spray bottle uniformly onto the attachment surface for the film tape (right) on the inside of the rear windshield.



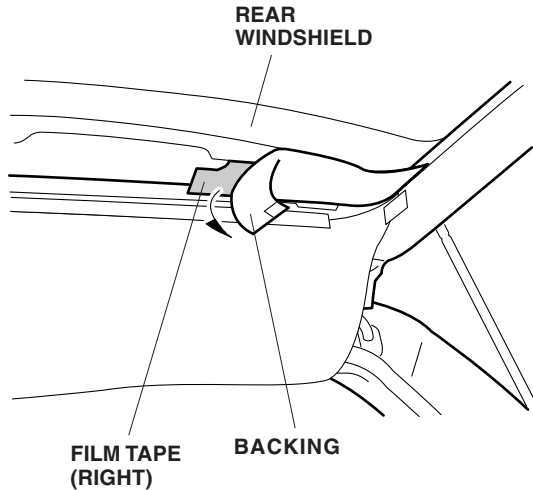
- Peel off the backing from the film tape (right) while spraying detergent solution. When the backing has been removed completely, spray 100:1 detergent solution onto the entire adhesive surface of the film tape.



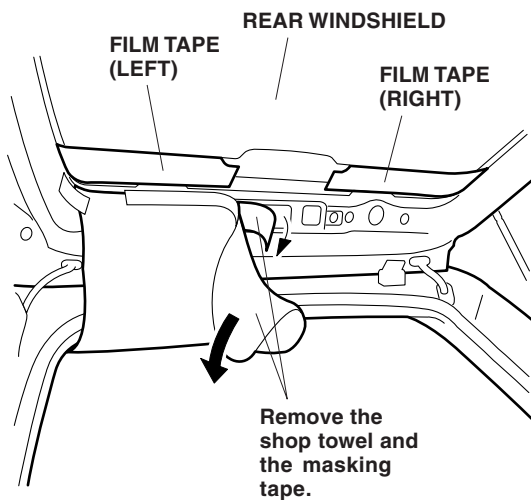
- Align the upper edge of the film tape with the second heating wire on the rear windshield (as counted down from the top), and align the lower edge with the black-ceramic area by overlapping them by 3 mm (0.1 in.) as shown. Position the film tape on the rear windshield with care because once attached, correction is impossible.



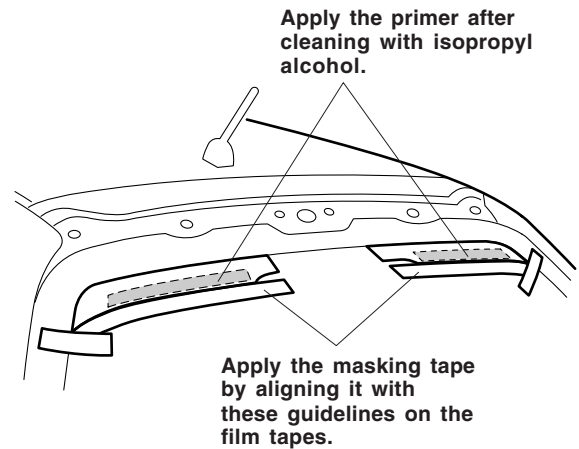
- Use a plastic squeegee on the film tape (right) matched to the installation position, and push out any neutral detergent solution and air bubbles to the outside to obtain perfect contact of the film tape (right). Afterwards, use paper towels to wipe off any neutral detergent solution around the film tape (right), and let the film tape (right) dry sufficiently.
- Remove the outer adhesive backing from the film tape (right).



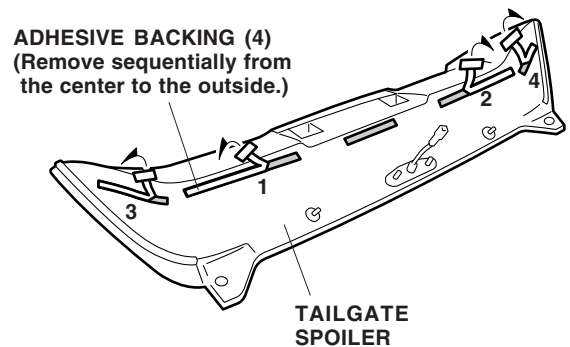
- Repeat steps 12 thru 17 to attach the left film tape.
- When attachment of the left and right film tapes has been completed, remove the shop towel and the masking tape attached in step 13.



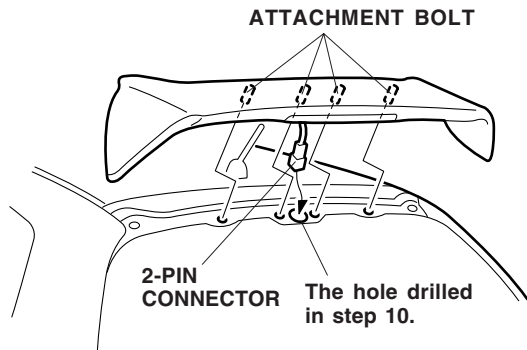
- Close the tailgate. From the surface, apply masking tape to the rear windshield by aligning it with the lines of the film tapes as shown. Using isopropyl alcohol, thoroughly clean the area where the tailgate spoiler will attach.



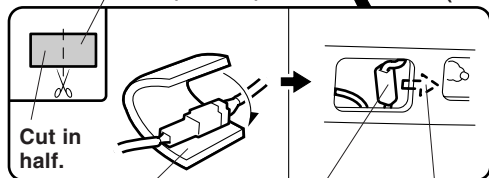
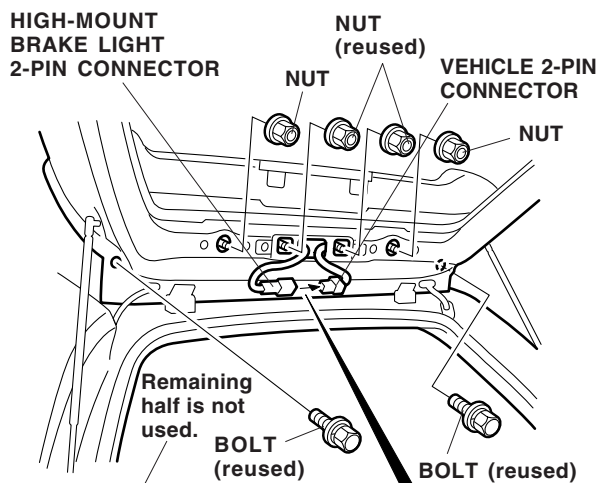
- Apply the primer to the areas you just cleaned. Remove the masking tape after the primer is dry.
- Peel off the four adhesive backings on the back side of the tailgate spoiler from the center of the tailgate spoiler to the outside for 4 or 5 cm as shown, and attach them with masking tape to the front of the tailgate spoiler.



23. Clean the tailgate spoiler installation surfaces on the vehicle side with isopropyl alcohol.
24. Pass the 2-pin connector of the high-mount brake light through the hole opened in step 10, and install the tailgate spoiler by inserting the four attachment bolts.



25. While holding the tailgate spoiler in place with one hand, open the tailgate with your other hand; secure the spoiler with the two bolts and four nuts. Torque the nuts to 8.8 N·m (6.5 lb-ft).
26. Connect the high-mount brake light 2-pin connector into the 2-pin connector of the vehicle harness. Cut the EPT sealer in half, wrap the half around the connectors, and push them into the center hole of the tailgate. (The remaining half of the EPT sealer is not used.)

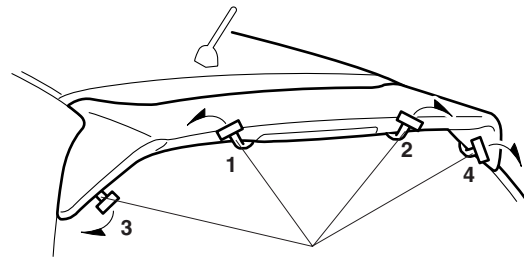


Wrap the half around the connectors.

CONNECTED CONNECTOR

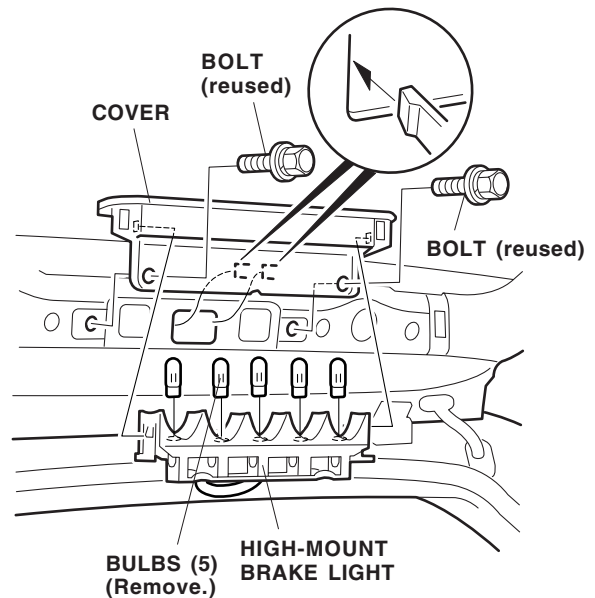
Push into the hole.

27. Close the tailgate, peel off the four adhesive backings sequentially from the center of the tailgate spoiler to the outside, and apply sufficient pressure to adhere the tailgate spoiler.



ADHESIVE BACKING
(Peel off from the center of the tailgate spoiler to the outside.)

28. Open the tailgate, remove the cover from the vehicle high-mount brake light, and remove the five bulbs from the inside. After removing the bulbs, install the cover again, and attach the cover with two bolts onto the inside of the tailgate.



29. Install the tailgate upper trim and the side trims in their original positions.