



# INSTALLATION INSTRUCTIONS

Accessory
<b>CARGO LINER 08P42-S9A-100</b>

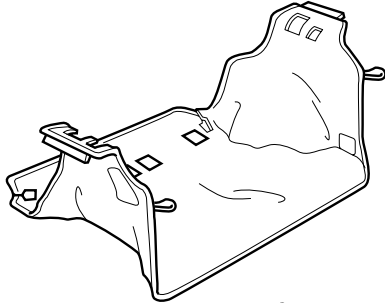
Application
<b>CR-V</b>

Publications No.
<b>All 23065</b>
Issue Date
<b>NOV 2001</b>

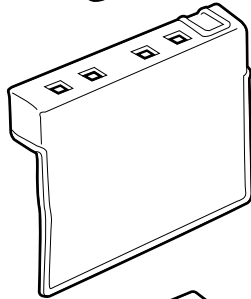
Keep this information in the glove box for future reference.

## PARTS LIST

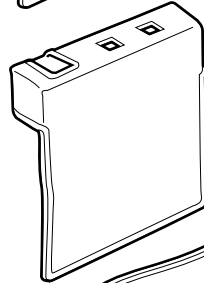
Cargo liner



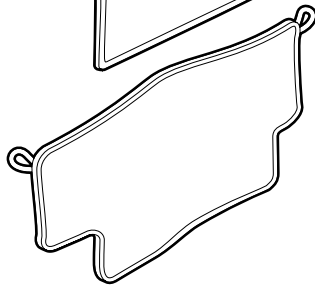
Right seat back apron



Left seat back apron



Cargo apron



10 Velcro pads

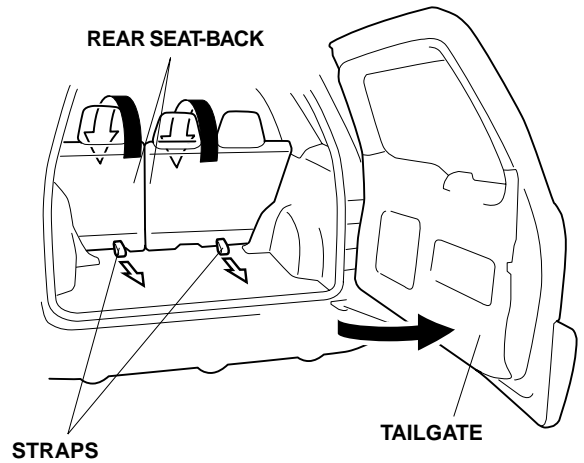


4 Alcohol pads

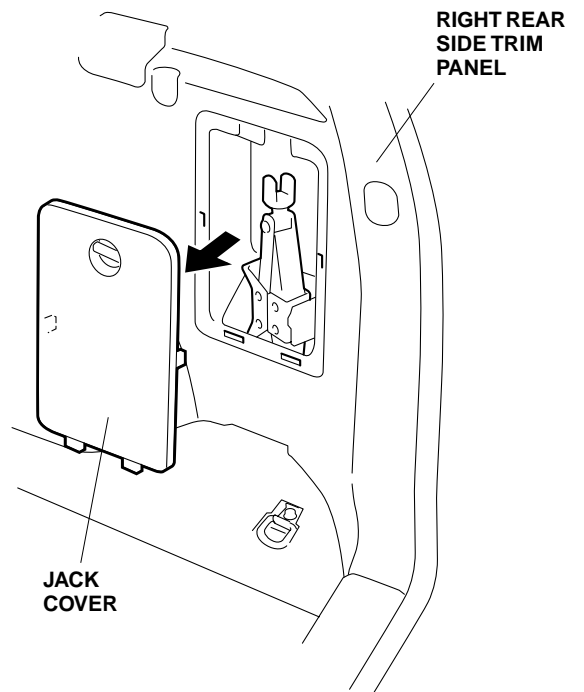


## INSTALLATION

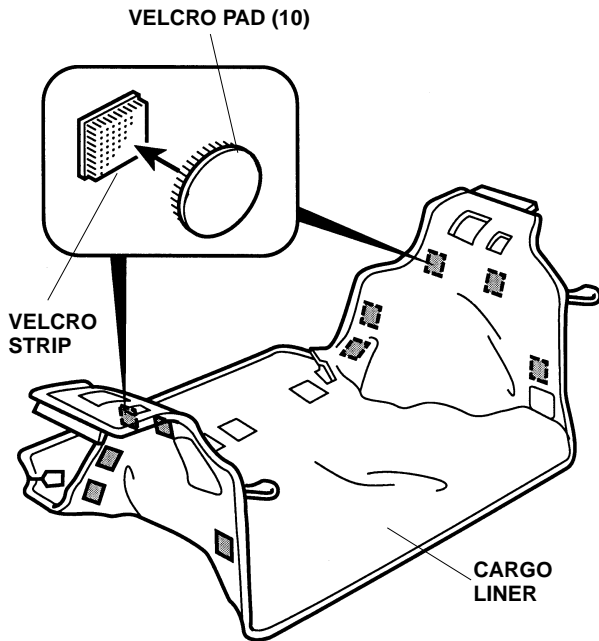
1. Open the tailgate. Tilt the rear seat-back forward, then pull the straps and lift the seat assembly forward.



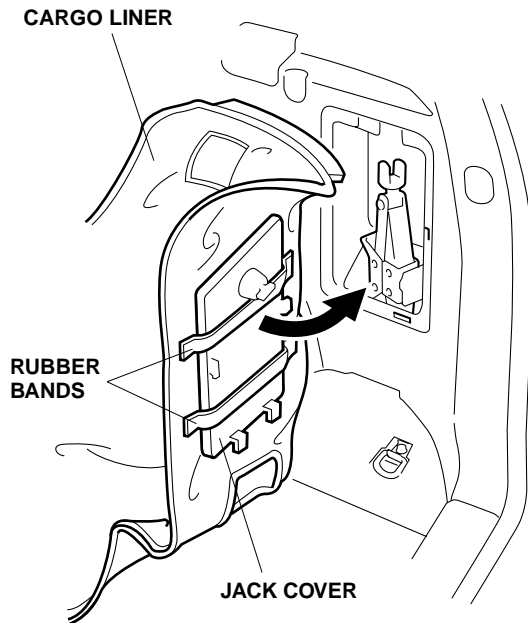
2. Remove the jack cover from the right rear side trim panel.



- Attach the 10 Velcro pads provided to the Velcro strips on both sides of the cargo liner.

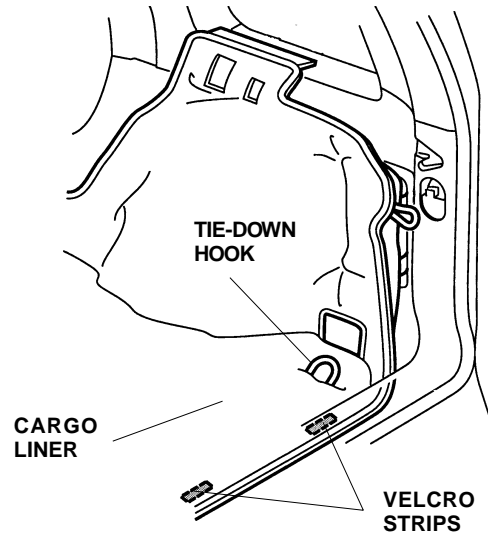


- Place the cargo liner in the cargo area, and spread it out toward the front and sides.

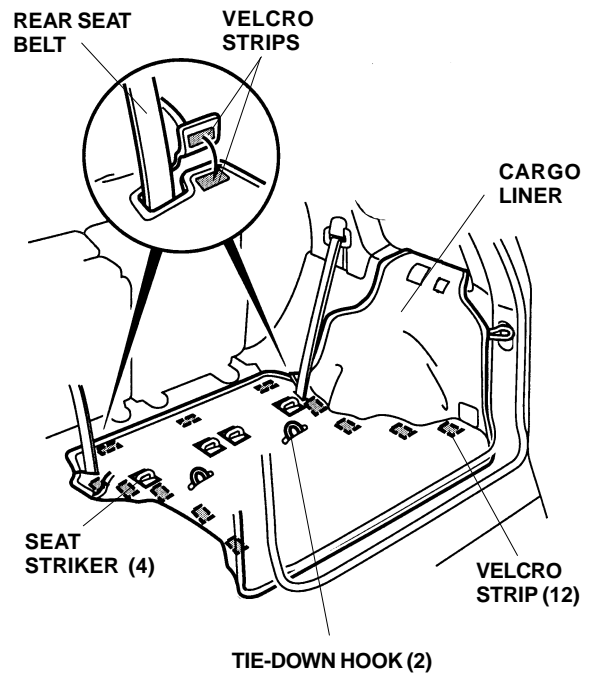


- At the right rear area of the cargo liner, slide the jack cover under the rubber bands on the back of the cargo liner. Reinstall the jack cover with the cargo liner attached.

- At the rear of the cargo area, pull the two rear tie-down hooks out through the slits in the cargo liner; then attach the two Velcro strips to the trunk floor carpet in the areas shown.

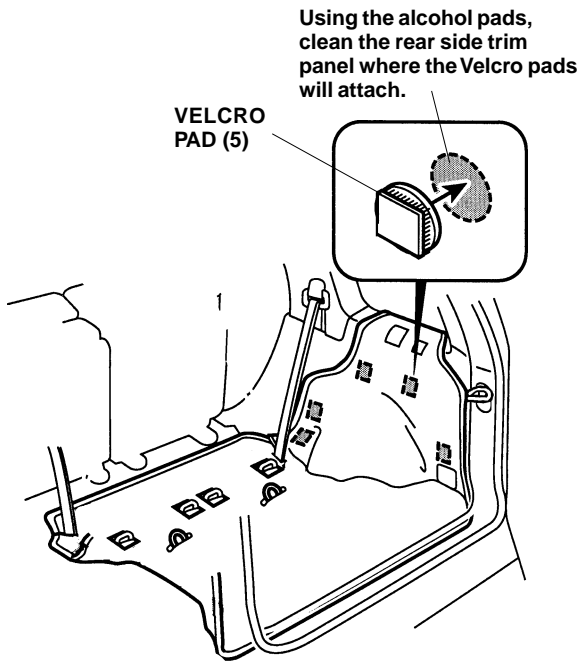


- Using the palm of your hand, smooth the cargo liner out along the floor toward the front. Align the four holes in the cargo liner with the four seat strikers.

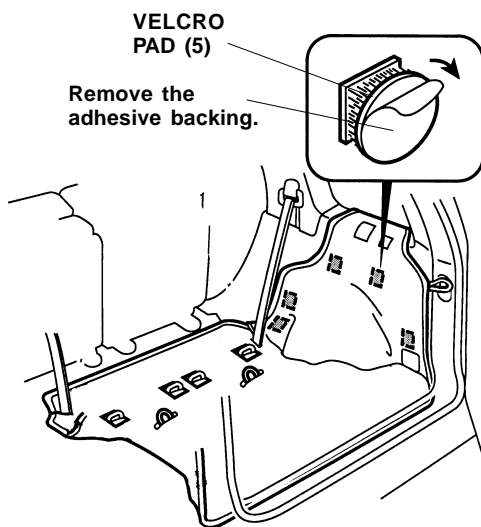


- At the front of the cargo area, pull the two front tie-down hooks out through the slits in the cargo liner.
- Attach the 12 Velcro strips to the trunk floor carpet, and secure the Velcro strips around each rear seat belt.

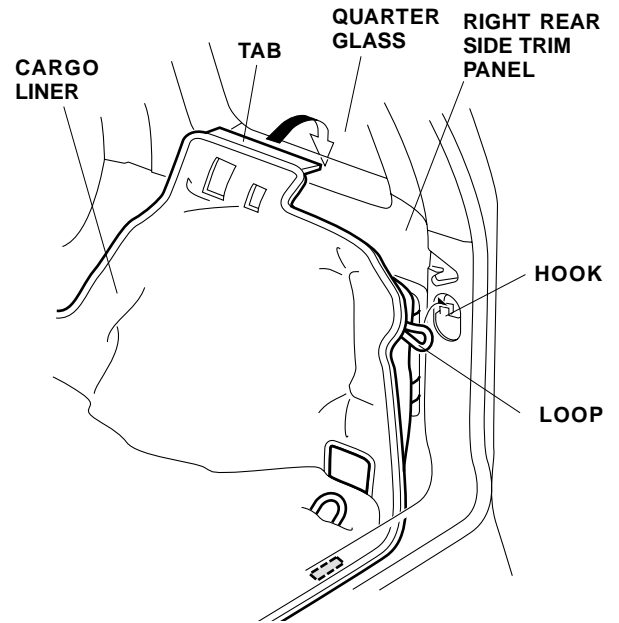
- Under the cargo liner on the right rear side trim panel, locate the area where the five Velcro pads (installed in step 3) will attach.



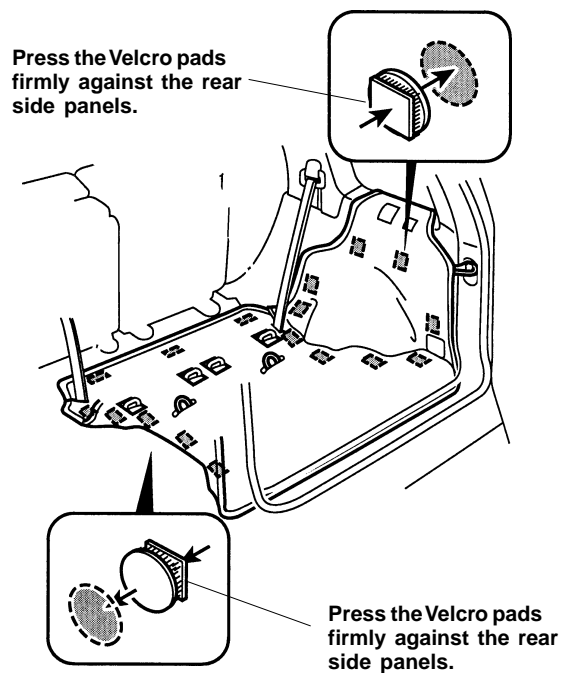
- Using the alcohol pads supplied, clean the rear side trim panel where each Velcro pad will attach.
- Remove the adhesive backing from each Velcro pad, and attach them to the rear side trim panel at the areas you cleaned.



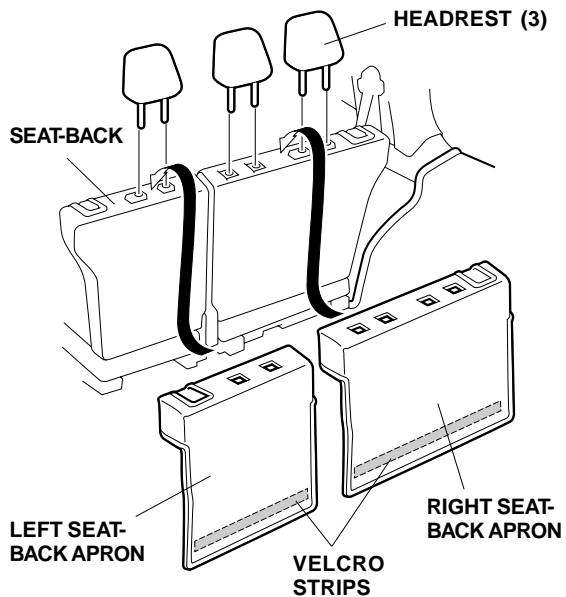
- Tuck the tab on the cargo liner into the clearance between the right rear side trim panel and quarter glass.



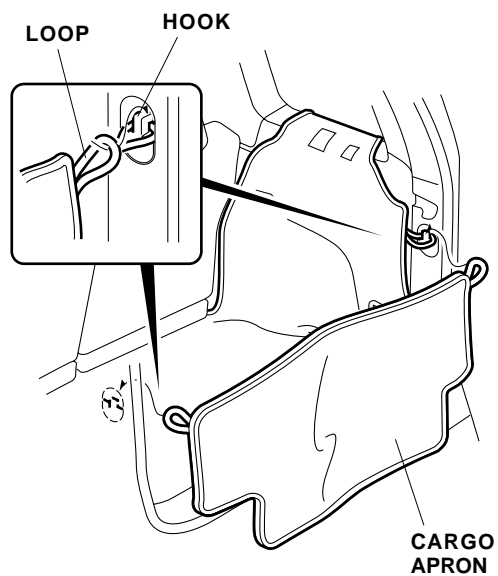
- Attach the loop on the cargo liner to the hook on the right rear side trim panel.
- Repeat steps 10 through 14 to install the cargo liner on the left side of the vehicle.
- Using the palm of your hand, press on each of the 10 Velcro pads to make sure the cargo liner is firmly attached to the right and left rear side trim panels.



17. Replace the rear seat to its original position. Do not pinch the cargo liner with the seat striker.
18. Remove the headrests. Position the aprons on the right and left seat-backs, and secure them with the Velcro strips.



19. Attach the loops on the cargo apron to the hooks on the right and left rear side trim panels.



## CLEANING THE CARGO LINER

To clean the cargo liner, wipe with dampened soft cloth or sponge with mild detergent and water solution, then wipe dry with a clean cloth or sponge.