



INSTALLATION INSTRUCTIONS

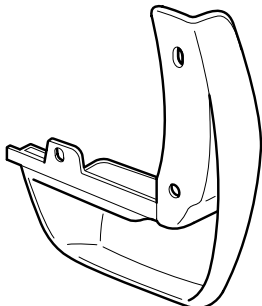
Accessory
FRONT SPLASH GUARDS
P/N 08P08-S9A-100

Application
CR-V

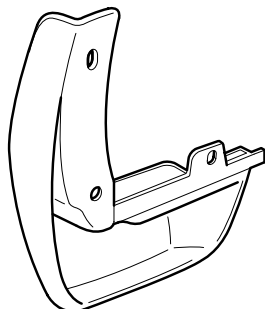
Publications No.
All 23076
Issue Date
NOV 2001

PARTS LIST

Left front splash guard



Right front splash guard



TOOL REQUIRED

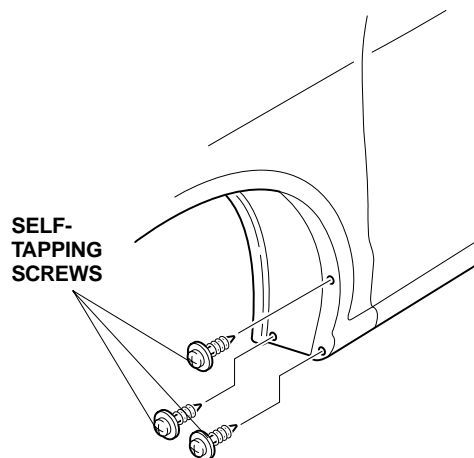
Stubby Phillips screwdriver

INSTALLATION

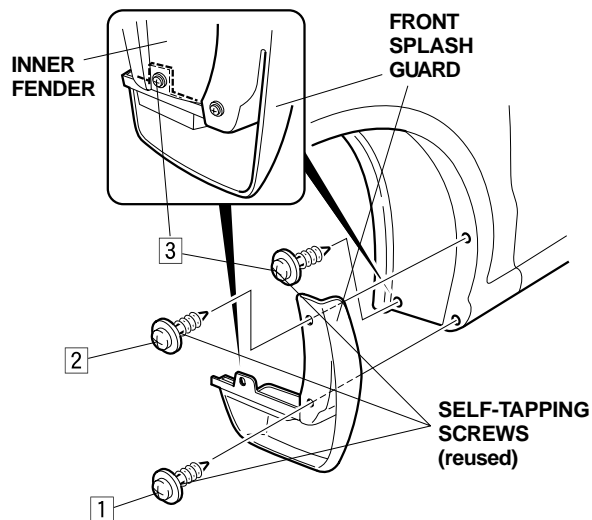
NOTE: These instructions show the left splash guard being installed. The same procedure applies to installing the right splash guard.

1. Make sure the area to be covered is clean.
2. Turn the steering wheel all the way counterclockwise.

3. Remove and retain the three self-tapping screws that fasten the left front inner fender to the front fender and fenderwell.



4. Position the splash guard on the left front inner fender with the bottom portion under the inner fender. Install three self-tapping screws you removed. Tighten the three self-tapping screws in the order shown.



5. Turn the steering wheel all the way clockwise, and repeat steps 3 and 4 to install the right front splash guard.