

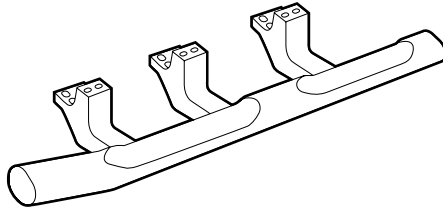


INSTALLATION INSTRUCTIONS

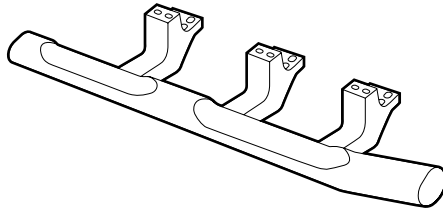
| | | |
|--|----------------------------|--------------------------------------|
| Accessory SIDE STEP P/N 08L33-S9A-100A | Application CR-V | Publications No. All 23088 |
| | | Issue Date NOV 2001 |

PARTS LIST

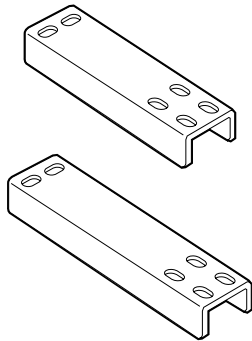
Left side step



Right side step



5 Brackets



Long bracket
(left side only)

48 Flange bolts



24 Flange nuts



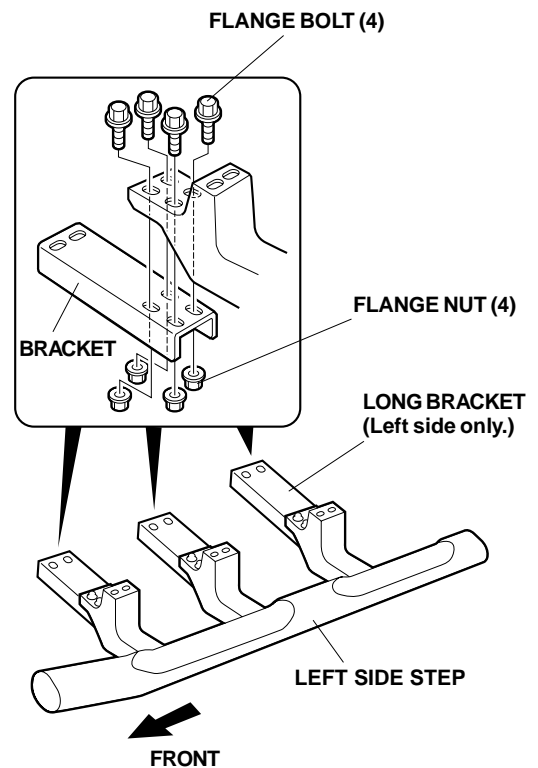
TOOLS REQUIRED

- Ratchet
- 13 mm Socket
- 13 mm Combination wrench
- Torque wrench
- Extension

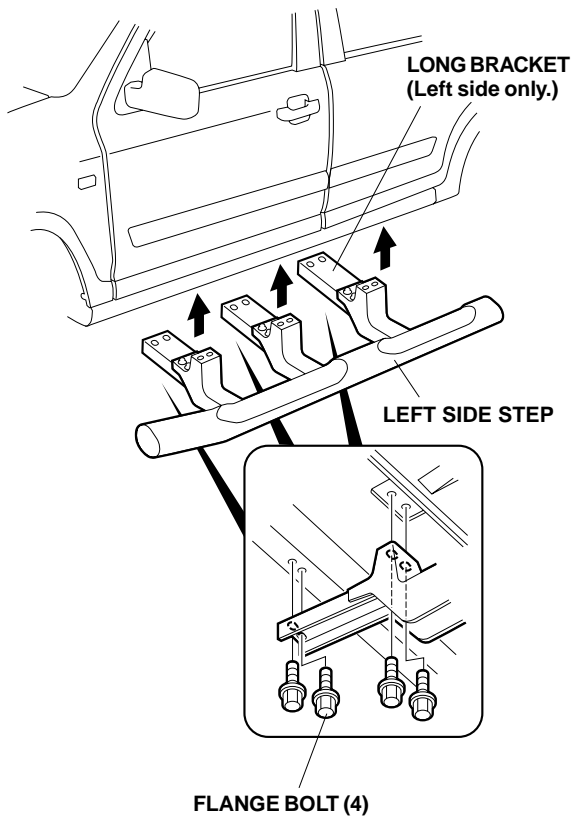
INSTALLATION

Customer Information: The information in this installation instruction is intended for use only by skilled technicians who have the proper tools, equipment, and training to correctly and safely add equipment to your vehicle. These procedures should not be attempted by "do-it-yourselfers."

- Loosely position three brackets (one long bracket on the left side) on the left side step and install the four flange bolts and four flange nuts for each. Do not tighten the bolts yet.



2. Position the left side step on the body and loosely install the twelve flange bolts.



3. Torque all the flange nuts and bolts to 23 N-m (17 lb-ft).

4. Repeat steps 1 through 3 to install the side step on the right side of the vehicle. The brackets on the right side are all one length.

Make a copy of this page, and give it to your customer.

Important Jacking Information: The rear jacking point **cannot** be used when the vehicle is equipped with Honda accessory side steps, jack up the rear of the vehicle using the center side step bracket in the area shown. For information on changing a flat tire, refer to the vehicle Owner's Manual.

