



# INSTALLATION INSTRUCTIONS

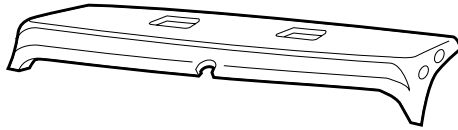
Accessory  
**REAR TAILGATE DEFLECTOR**  
 P/N 08F40-S9A-100

Application  
**CR-V**

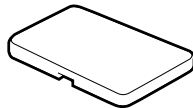
Publications No.  
**All 23083**  
 Issue Date  
**NOV 2001**

## PARTS LIST

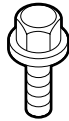
Rear tailgate deflector



2 Bolt covers



2 Flange bolts



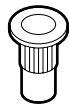
2 Cap nuts



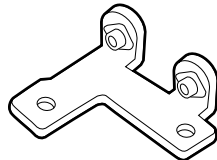
4 Washer-screws



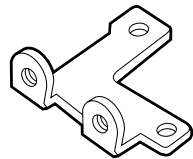
4 Knurled threaded inserts



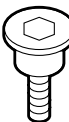
Right bracket



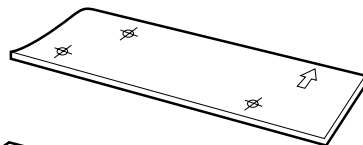
Left bracket



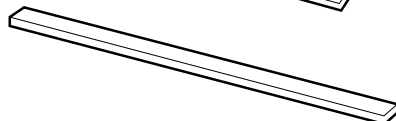
4 Hex head bolts



Template



Adhesive tape



## TOOLS AND SUPPLIES REQUIRED

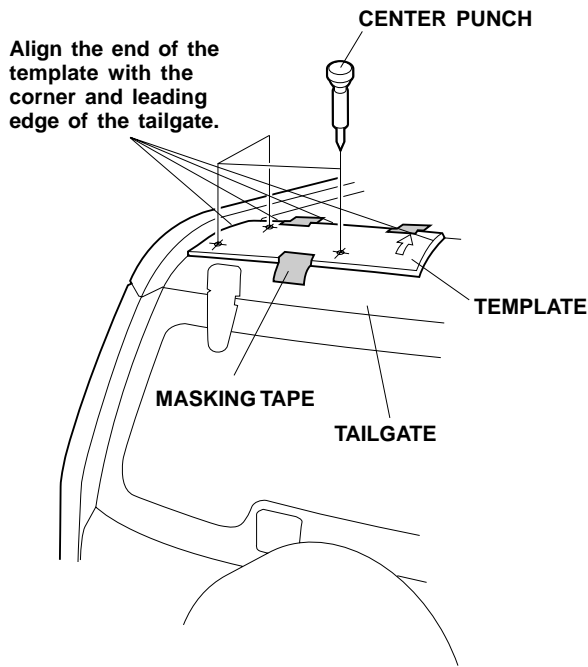
- Ratchet
- 10 mm Socket
- 10 mm Combination wrench
- Phillips screwdriver
- Shop towel
- Drill
- 3 mm, 6 mm, and 10 mm Drill bits
- Center punch
- File
- Eye protection (safety goggles, face shield, etc.)
- Touch-up paint
- 4 mm Hex wrench
- Masking tape
- 3 mm, 7 mm, and 10 mm Drill stops
- Jack nut tool
- Isopropyl alcohol

## INSTALLATION

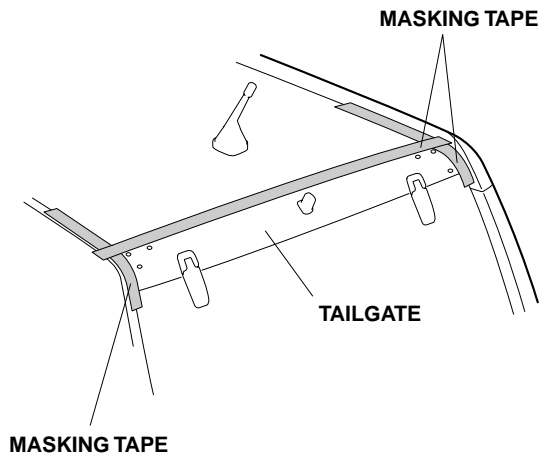
**Customer Information:** The information in this installation instruction is intended for use only by skilled technicians who have the proper tools, equipment, and training to correctly and safely add equipment to your vehicle. These procedures should not be attempted by "do-it-yourselfers."

**NOTE:** Be careful not to damage the finished surfaces of the body when installing the rear tailgate deflector.

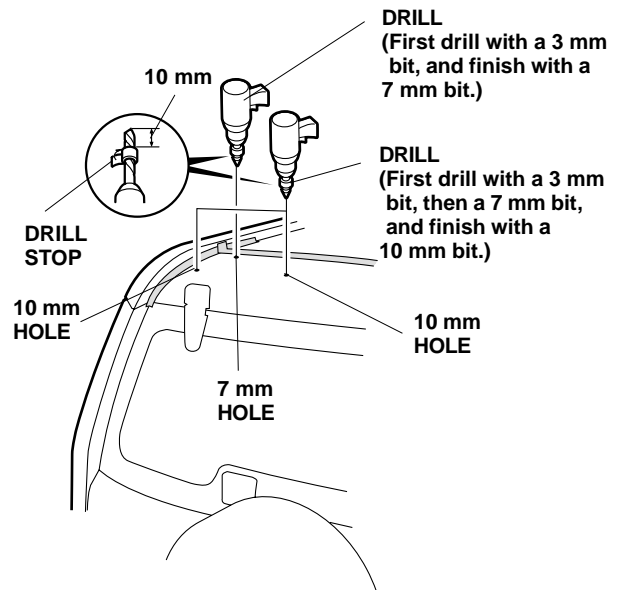
1. Position the template on the tailgate, and align it with the upper left corner and the leading edge of the tailgate. Tape the template onto the body using strips of masking tape.



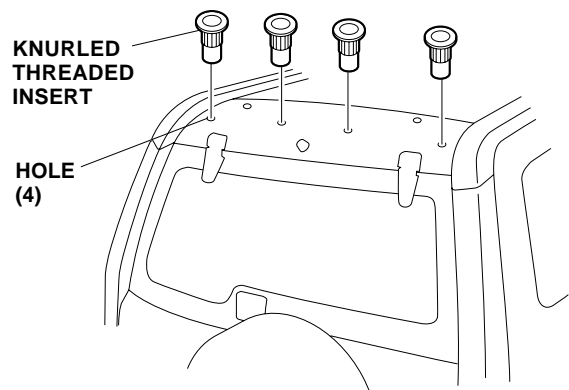
2. Lightly center-punch the tailgate at each of the three marks on the template.
3. Flip the template over, and tape it into position on the right side of the tailgate. Center punch the right side of the tailgate.
4. Remove the template, and attach strips of masking tape over the gaps between the tailgate and the roof.



5. While wearing eye protection, drill two 7 mm holes and four 10 mm holes at each of the six center-punched marks on the tailgate.
  - To prevent drilling through the inner panel, install a drill stop on each of the drill bits 10 mm away from the tip.
  - First drill with a 3 mm bit, then a 7 mm bit, and finish with a 10 mm bit.
  - After drilling, remove any burrs from the edges of the holes with a file, and apply the touch-up paint. Allow the touch-up paint to dry thoroughly before proceeding to the next step.
  - Remove the masking tape.
  - Open the tailgate, and remove any metal chips from the roof gutters.

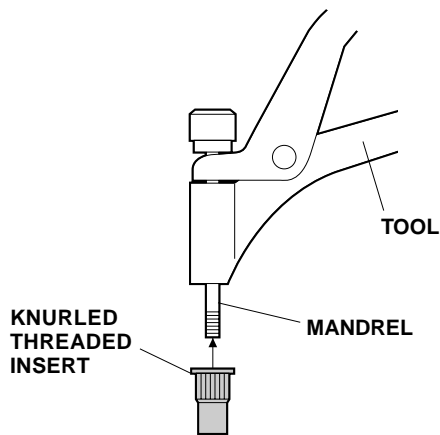


6. Install the knurled threaded inserts to the tailgate as described in substeps 1 through 4.

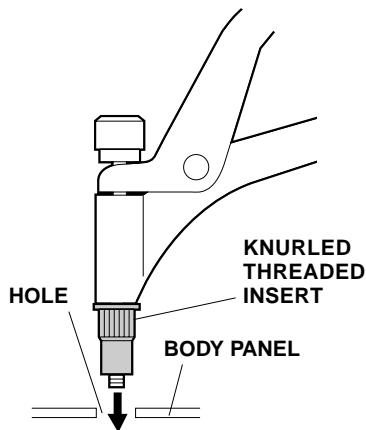


## Knurled Threaded Insert Installation Procedure

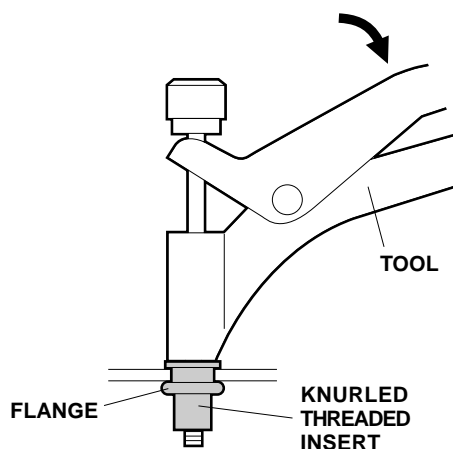
- 1) Screw the knurled threaded insert onto the mandrel of the tool as shown.



- 2) Insert the knurled threaded insert into the hole in the body panel.

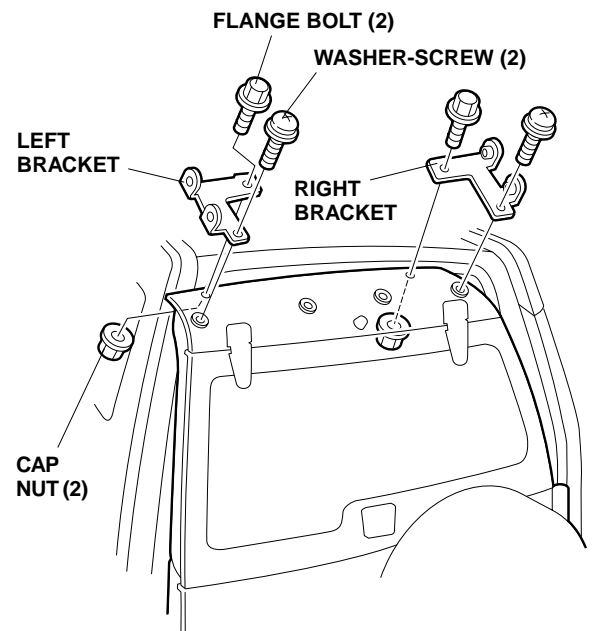


- 3) Squeeze the handle firmly until a flange-like stopper is formed under the body panel as shown.

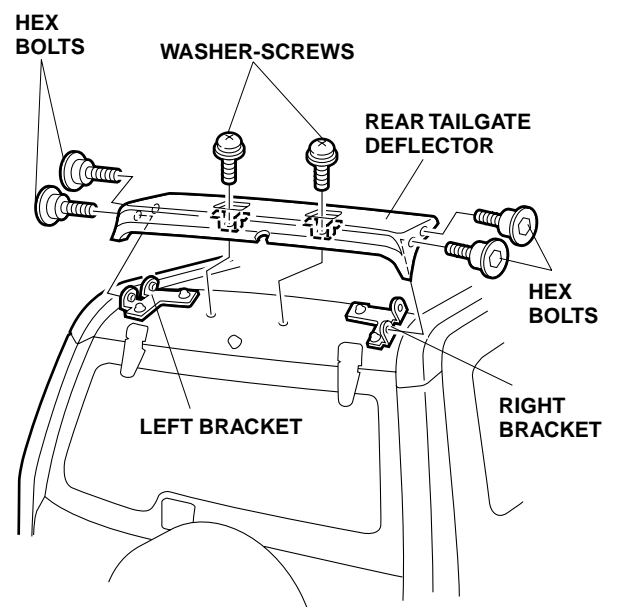


- 4) Release the handle, turn the mandrel, and remove it from the knurled threaded insert.

7. Install the right and left brackets using one flange bolt in the upper holes and one washer-screw in the lower holes. Tighten the bolts and screws securely.

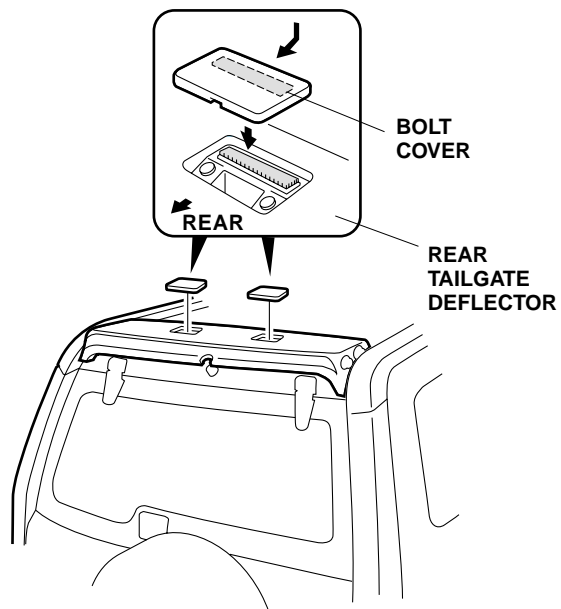


8. Position the rear tailgate deflector on the brackets, and install two washer-screws and four hex bolts.

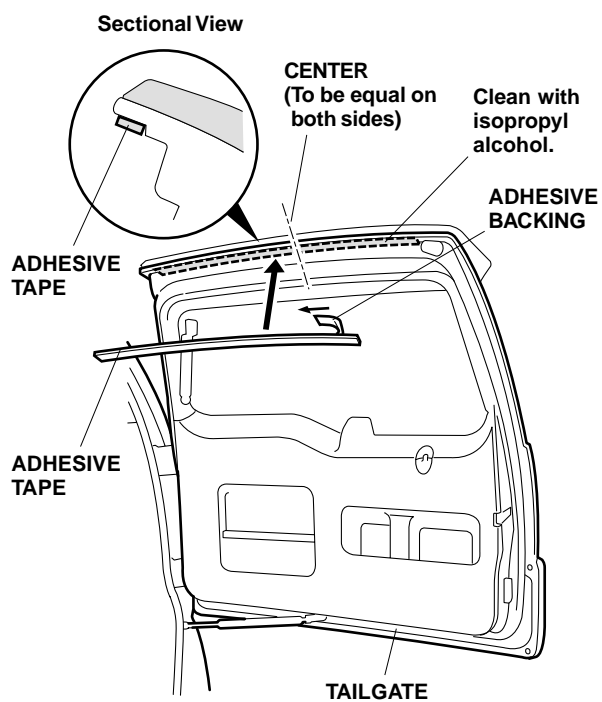


9. Tighten the four hex bolts and the two washer-screws.

10. Install the two bolt covers on the rear tailgate deflector. Position the cover toward the rear of opening when installing.



11. Open the tailgate. Using a shop towel wet with isopropyl alcohol, clean the area where the adhesive tape will be attached.



12. Attach the adhesive tape along the upper edge of the tailgate.