

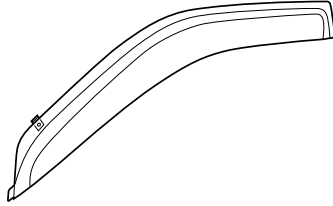


INSTALLATION INSTRUCTIONS

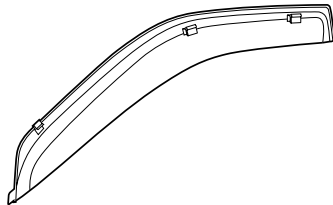
Accessory	Application	Publications No.
DOOR VISOR	CR-V	All 23070
		Issue Date
		NOV 2001

PARTS LIST

Left front door visor



Right front door visor



Left rear door visor



Right rear door visor



TOOLS REQUIRED

Isopropyl alcohol

Shop towel

Masking tape

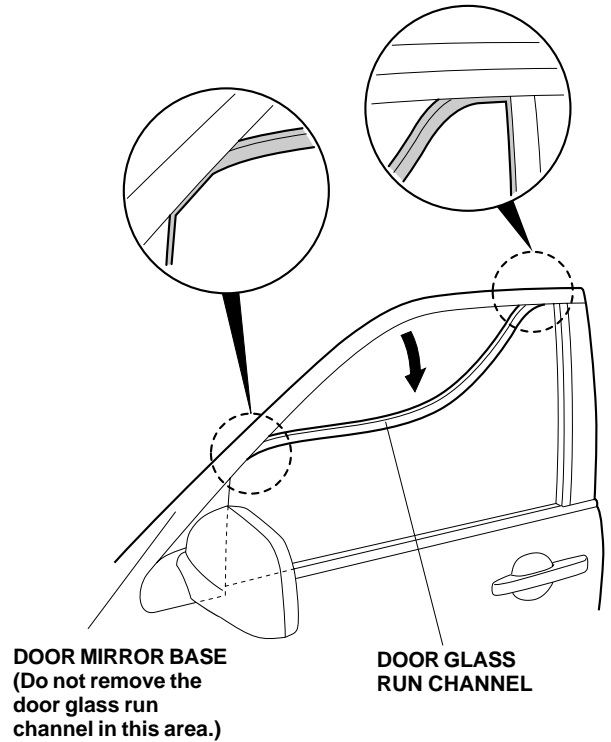
INSTALLATION

NOTE:

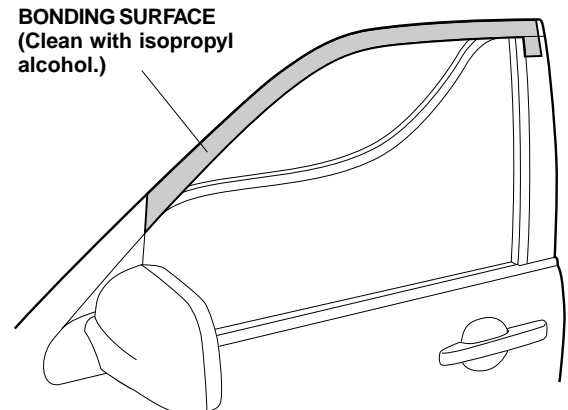
- These instructions show the left door visors being installed. The same procedure applies to installing of the right door visors.
- Be careful not to damage the paint finish and glass run channels when installing the door visors.
- Handle the door visors with care. They are not designed to absorb shock or impact.
- This door visor kit should only be installed if the ambient air temperature is 60°F (15°C) or above.
- To allow the adhesive to “cure,” do not wash the vehicle for 24 hours.

Installing the Front Door Visor

1. Lower the front door glass completely. Remove the door glass run channel from the door sash in the area shown. Do not remove the glass run channel from the door mirror base and the rear end of the door.



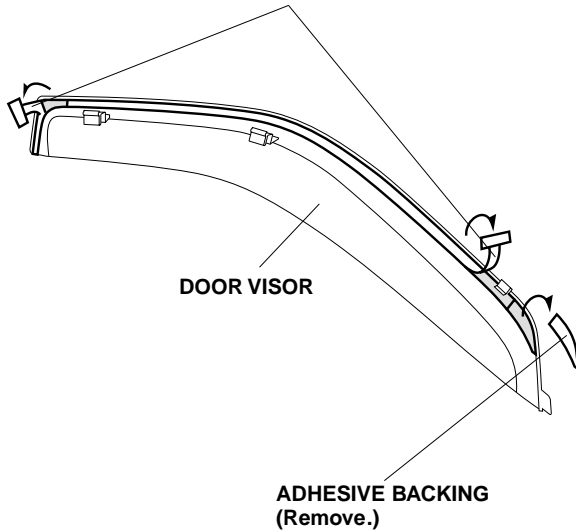
2. Using isopropyl alcohol on a shop towel, clean the shaded area of the door sash.



- Remove the small piece of adhesive backing from the front of the door visor.

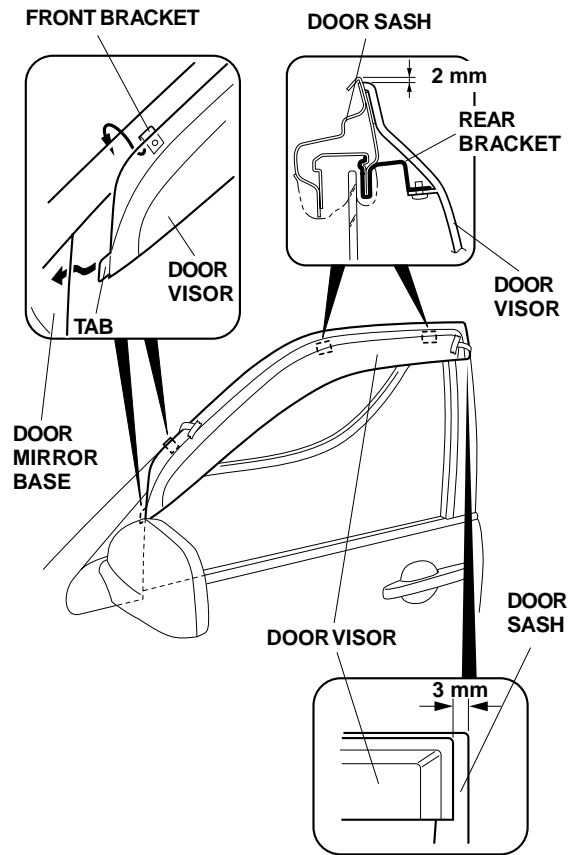
ADHESIVE BACKINGS

(To lift the adhesive backing, attach a strip of masking tape to the edge of the adhesive backings. Remove 2 to 3 inches of adhesive backing, and tape each end to the front of the door visor.)



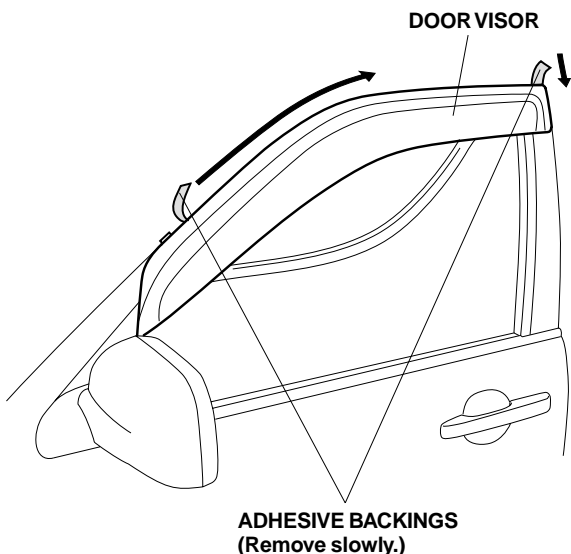
- Attach a strip of the masking tape to the ends of the two remaining adhesive backings, and remove 2 to 3 inches of adhesive backing. Fold back the ends, and tape the ends to the front of the door visor. Note the direction of the adhesive backings.

- Attach the front bracket of the door visor to the door sash, and push the two rear brackets on the door sash. Insert the front tab under the door mirror base.



- Adjust the location of the door visor so that the clearance between the door visor and door sash is 2 mm at the top, and 3 mm at the back. There should be no clearance between the front tab and the visor.

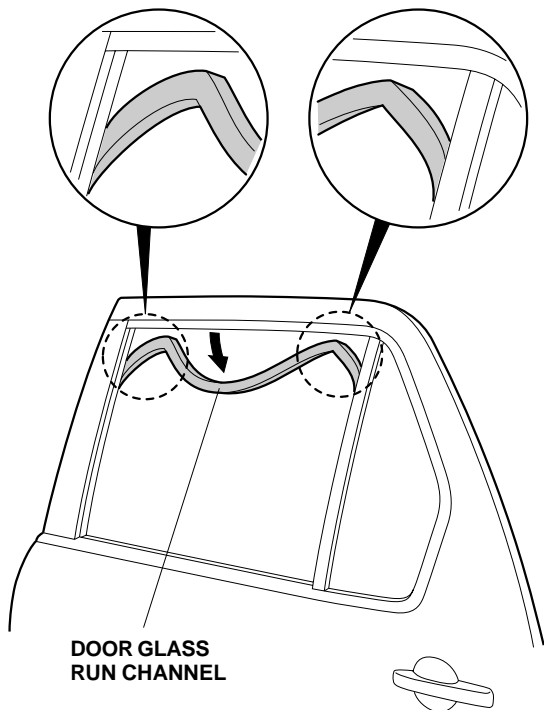
7. While holding light pressure on the door visor, carefully remove the adhesive backing in the directions shown. Using the palm of your hand, hold the door visor firmly against the door for 30 seconds.



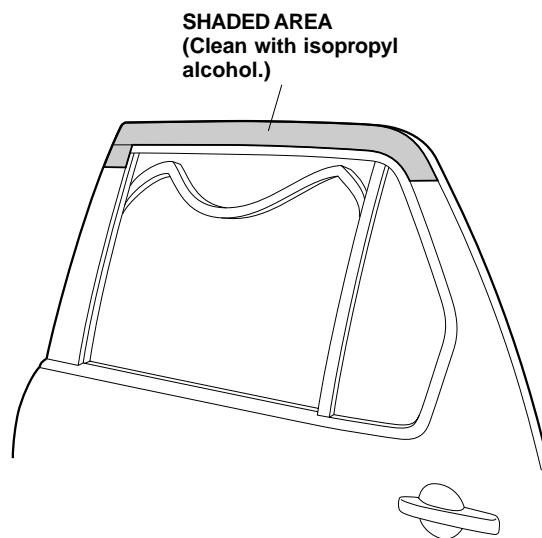
8. Reinstall the door glass run channel.

Installing the Rear Door Visor

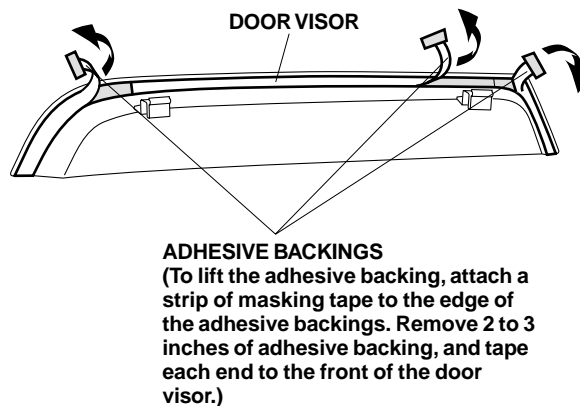
9. Lower the rear door glass completely. Remove the door glass run channel from the door sash in the areas shown.



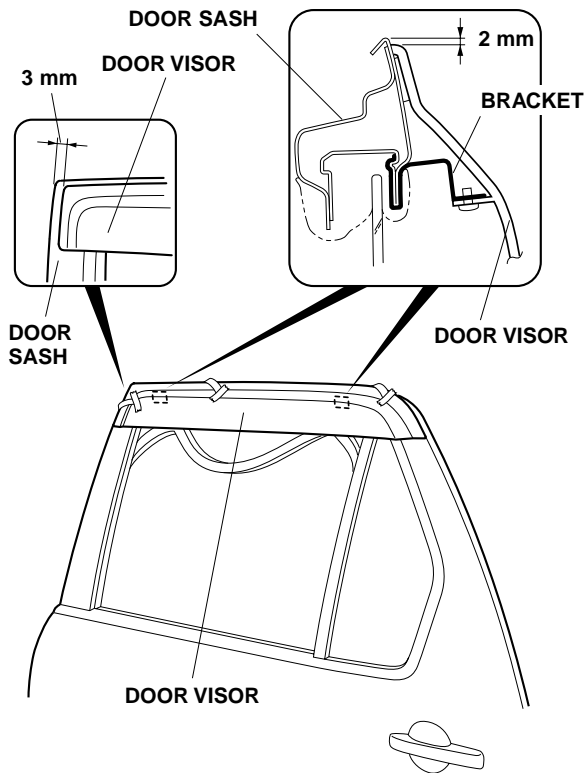
10. Using isopropyl alcohol on a shop towel, clean the shaded area of the door sash.



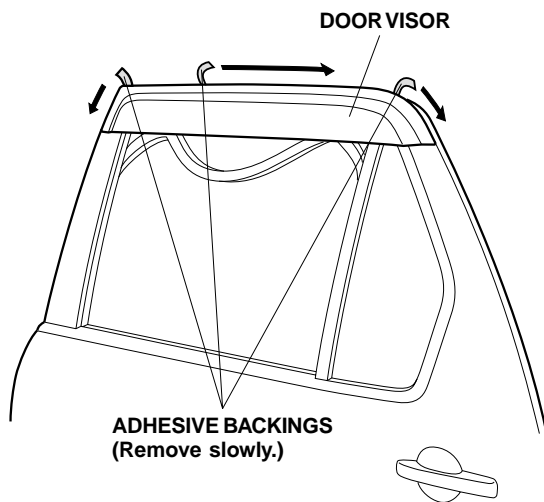
11. Attach a strip of the masking tape to the ends of the three adhesive backings, and remove 2 to 3 inches of adhesive backing. Fold back the ends, and tape the ends to the front of the door visor. Fold the ends back and tape them to the door visor. Note the direction of the adhesive backings.



12. Install the door visor by inserting the two brackets into the door sash.



13. Adjust the location of the door visor so that the clearance between the door visor and door sash is 3 mm at the front end and 2 mm at the top.
14. While holding light pressure on the door visor, carefully remove the adhesive backing in the directions shown. Using the palm of your hand, hold the door visor firmly against the door for 30 seconds.



15. Reinstall the door glass run channel.
16. Repeat steps 1 through 15 to install the door visors on the right side of the vehicle.
17. Raise and lower all the windows several times to seat the glass run channels.

USE AND CARE

- To clean the door visor, wipe it with a soft cloth dampened with clean water.
- To remove dust and dirt, clean with a mild detergent and water solution and soft cloth. Never use organic solvents such as thinner, benzine, alcohol, etc., or cleaners containing compounds.