



INSTALLATION INSTRUCTIONS

Accessory

REAR AIR DEFLECTOR
P/N 08F40-S9A-100

Application

CR-V

Publications No.

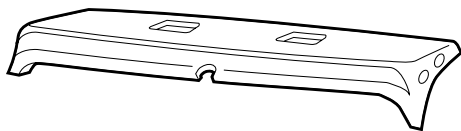
All 27183

Issue Date

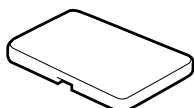
SEP 2004

PARTS LIST

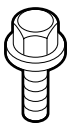
Rear air deflector



2 Bolt covers



2 Flange bolts



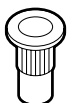
2 Cap nuts



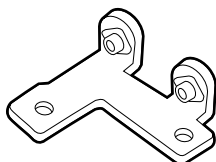
4 Washer-screws



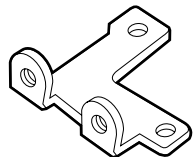
4 Rivnuts, 6 x 1.0 mm



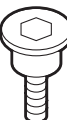
Right bracket



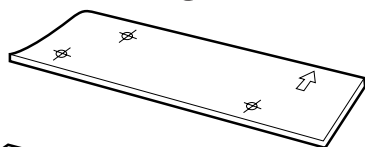
Left bracket



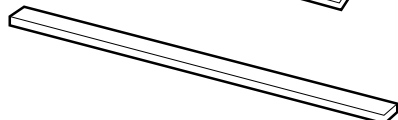
4 Hex head bolts



Template



Adhesive tape



TOOLS AND SUPPLIES REQUIRED

Ratchet

10 mm Socket

10 mm Combination wrench

Phillips screwdriver

Shop towel

Drill

3 mm, 6 mm, and 10 mm Drill bits

Center punch

File

Eye protection (safety goggles, face shield, etc.)

Touch-up paint

4 mm Hex wrench

Masking tape

3 mm, 7 mm, and 10 mm Drill stops

Isopropyl alcohol

Rivnut tool, 6 x 1.0 mm (Available through the Honda

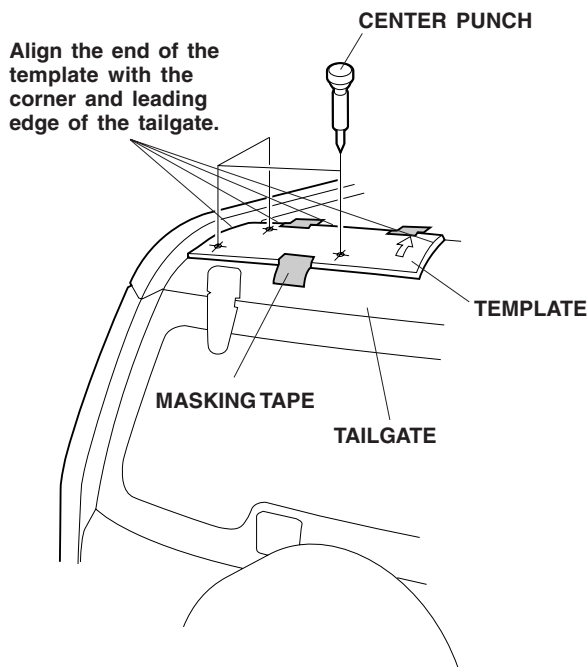
Tool and Equipment program (888) 424-6857.)

INSTALLATION

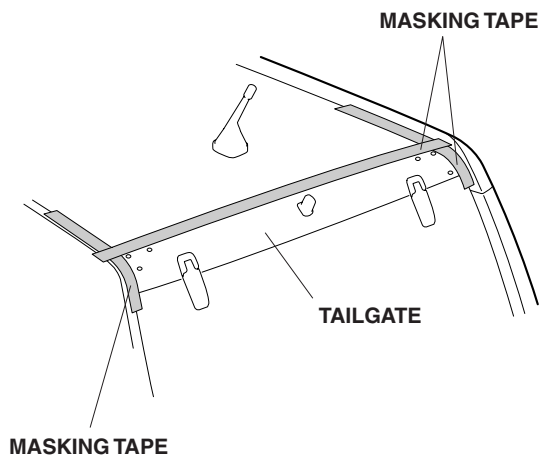
Customer Information: The information in this installation instruction is intended for use only by skilled technicians who have the proper tools, equipment, and training to correctly and safely add equipment to your vehicle. These procedures should not be attempted by "do-it-yourselfers."

NOTE: Be careful not to damage the finished surfaces of the body when installing the rear air deflector.

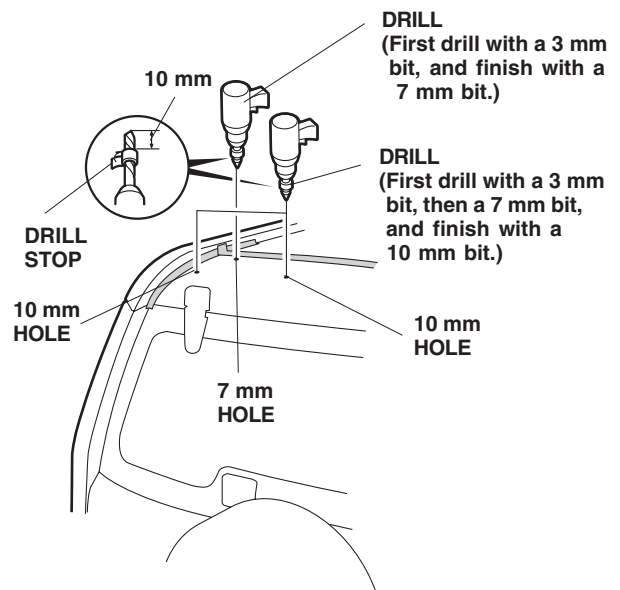
1. Position the template on the tailgate, and align it with the upper left corner and the leading edge of the tailgate. Tape the template onto the body using strips of masking tape.



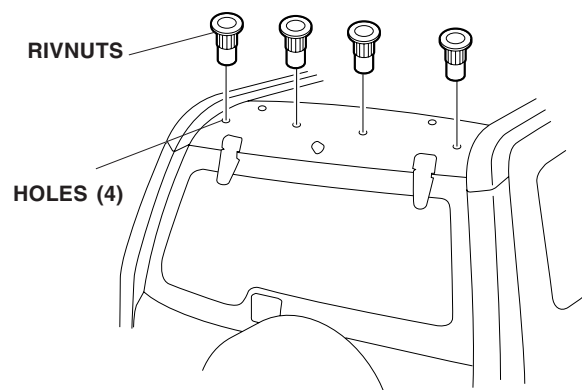
2. Lightly center-punch the tailgate at each of the three marks on the template.
3. Flip the template over, and tape it into position on the right side of the tailgate. Center punch the right side of the tailgate.
4. Remove the template, and attach strips of masking tape over the gaps between the tailgate and the roof.



5. While wearing eye protection, drill two 7 mm holes and four 10 mm holes at each of the six center-punched marks on the tailgate.
 - To prevent drilling through the inner panel, install a drill stop on each of the drill bits 10 mm away from the tip.
 - First drill with a 3 mm bit, then a 7 mm bit, and finish with a 10 mm bit.
 - After drilling, remove any burrs from the edges of the holes with a file, and apply the touch-up paint. Allow the touch-up paint to dry thoroughly before proceeding to the next step.
 - Remove the masking tape.
 - Open the tailgate, and remove any metal chips from the roof gutters.

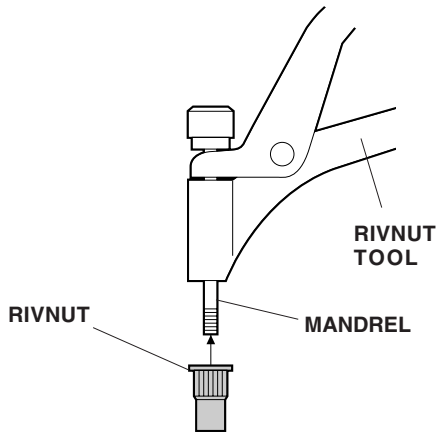


6. Install the rivnuts in the tailgate as described in substeps (1) through (4) on page 3.

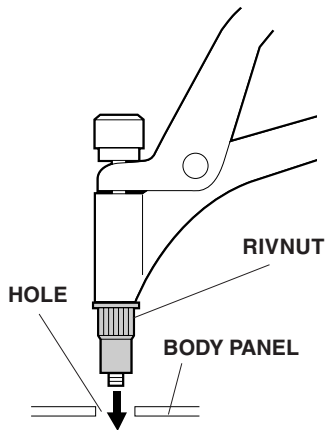


Installing the Rivnuts

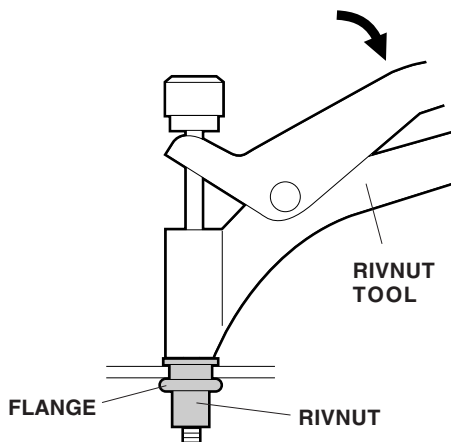
- (1) Screw the rivnut onto the mandrel of the tool as shown.



- (2) Insert the rivnut into the hole in the body panel.

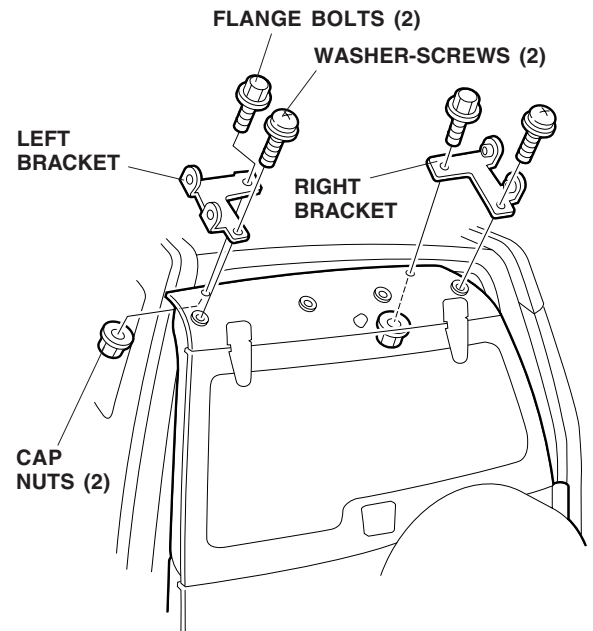


- (3) Squeeze the handle firmly until the rivnut is compressed to form a flange-like stopper under the body panel.

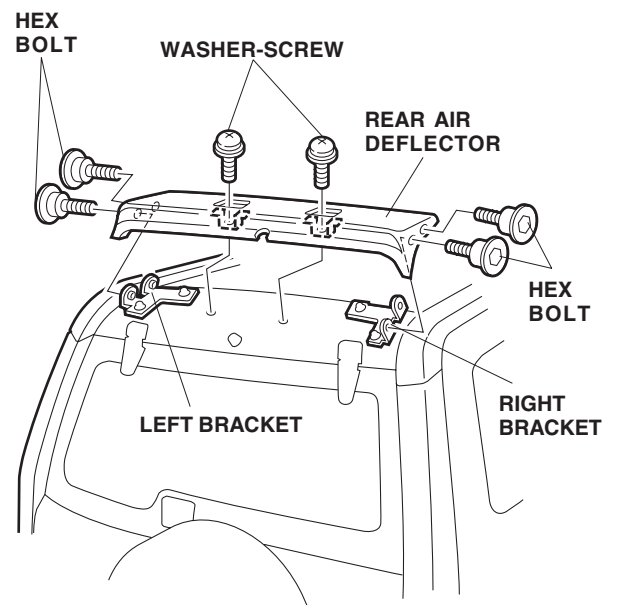


- (4) Release the handle, turn the mandrel, and remove it from the rivnut.

7. Install the right and left brackets using one flange bolt in the upper holes and one washer-screw in the lower holes. Tighten the bolts and screws securely.

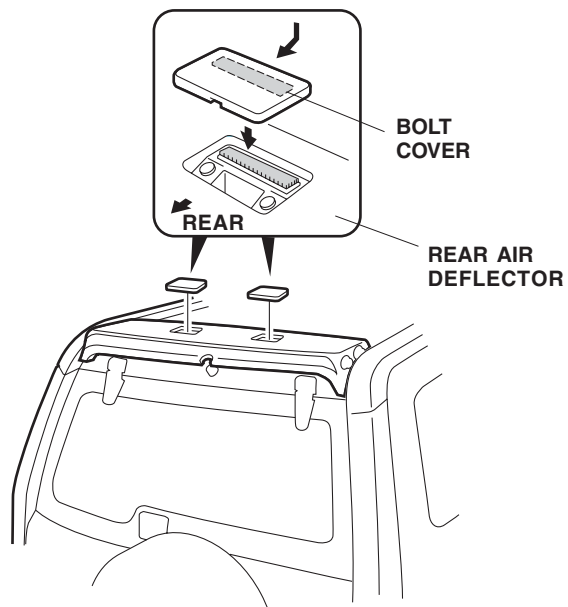


8. Position the rear air deflector on the brackets, and install two washer-screws and four hex bolts.

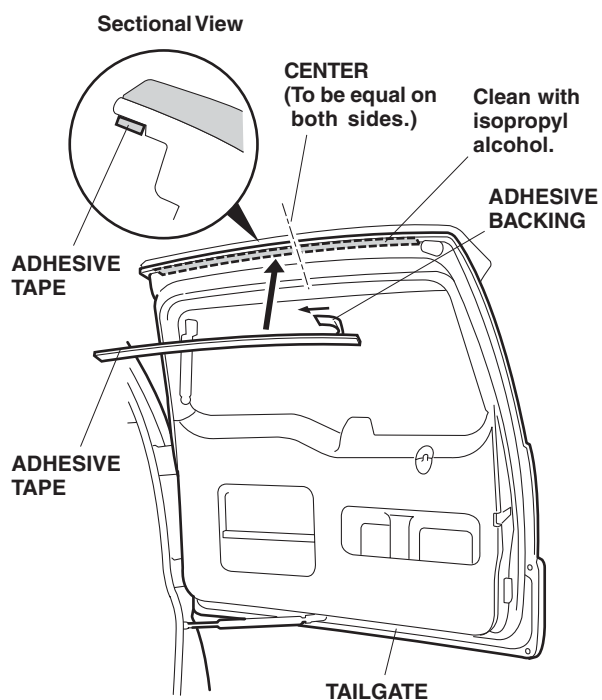


9. Tighten the four hex bolts and the two washer-screws.

10. Install the two bolt covers on the rear air deflector. Position the cover toward the rear of the opening when installing.



11. Open the tailgate. Using isopropyl alcohol on a shop towel, clean the area where the adhesive tape will attach.



12. Attach the adhesive tape along the upper edge of the tailgate.